

NOTES:

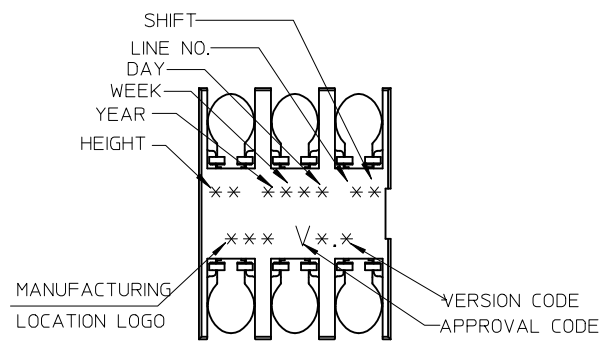
- MATERIAL:
 - 1-1 HOUSING: LCP , 30% GLASS FILL, UL94 V-0,COLOR BLACK;
 - 1-2 TEMINAL: PHOSPHOR BRONZE , 0.12MM REF THICKNESS;
- TERMINAL PLATING:
 - 2-1 SIM SIDE (CONTACT AREA) : 0.8 MICROMETER MIN GOLD;
 - 2-2 SOLDER TAIL: GOLD FLASH 0.05 MICROMETER MIN;
 - 2-3 UNDERPLATING: 2 MICROMETER NICKEL OVERALL;
- H DIMENSION MINIMUM = 1.50MM, MAXIMUM = 5.00MM(SEE CHART ON SHEET2);
- NO SHARP EDGES INTERFACING WITH THE PCB OR SIM CARD;
- CONTACT MUST NOT EXTENDED BEYOND HOUSING EDGE DURING DEFLECTION AND MUST LOWER THAN HOUSING LEVEL AFTER 3 TIMES REFLOW;
- MAINTAIN IN CONTACT AREA.

NEW RELEASED	EC NO: S2015-0431	2014/11/07	DESCRIPTION
	DRW:HTGU002	2014/11/10	
	CHKD:JZENG	2014/11/21	
A	APPR:KHLIM		REV

QUALITY SYMBOLS	GENERAL TOLERANCES (UNLESS SPECIFIED)	
	mm	INCH
$F_A=0$	4 PLACES ± ---	± ---
$F_B=0$	3 PLACES ± ---	± ---
$F_C=0$	2 PLACES ± 0.10	± ---
$F_D=0$	1 PLACE ± 0.20	± ---
	0 PLACE ± ---	± ---
	ANGULAR ± 2 °	
	DRAFT WHERE APPLICABLE MUST REMAIN WITHIN DIMENSIONS	

DIMENSION STYLE		SCALE	DESIGN UNITS	THIRD ANGLE PROJECTION
MM ONLY				
DRAWN BY	DATE	TITLE		
HTGU002	2014/11/07	6 CKT SCALABLE SIM CONNECTOR		
CHECKED BY	DATE			
JZENG	2014/11/10			
APPROVED BY	DATE	DOCUMENT NO.	SHEET NO.	
KHLIM	2014/11/21	SD-47019-003	1 OF 2	
MATERIAL NO.	THIS DRAWING CONTAINS INFORMATION THAT IS PROPRIETARY TO MOLEX INCORPORATED AND SHOULD NOT BE USED WITHOUT WRITTEN PERMISSION			
SEE TABLE	SIZE A3			

	10	9	8	7	6	5	4	3	2	1
F	PART NUMBER	DIM H	STATUS							
	470191501	1.5	Available							
	470191601	1.6	Only proposal							
	470191701	1.7	Available							
	470191801	1.8	Available							
	470191901	1.9	Only proposal							
	470192001	2.0	Available							
	470192101	2.1	Only proposal							
	470192201	2.2	Only proposal							
	470192301	2.3	Only proposal							
E	470192401	2.4	Available							
	470192501	2.5	Only proposal							
	470192601	2.6	Only proposal							
	470192701	2.7	Only proposal							
	470192801	2.8	Only proposal							
	470192901	2.9	Only proposal							
	470193001	3.0	Only proposal							
	470193101	3.1	Only proposal							
	470193201	3.2	Only proposal							
	470193301	3.3	Only proposal							
D	470193401	3.4	Only proposal							
	470193501	3.5	Only proposal							
	470193601	3.6	Only proposal							
	470193701	3.7	Only proposal							
	470193801	3.8	Only proposal							
	470193901	3.9	Only proposal							
	470194001	4.0	Only proposal							
	470194101	4.1	Only proposal							
	470194201	4.2	Only proposal							
	470194301	4.3	Only proposal							
C	470194401	4.4	Only proposal							
	470194501	4.5	Only proposal							
	470194601	4.6	Only proposal							
	470194701	4.7	Only proposal							
	470194801	4.8	Only proposal							
	470194901	4.9	Only proposal							
	470195001	5.0	Only proposal							

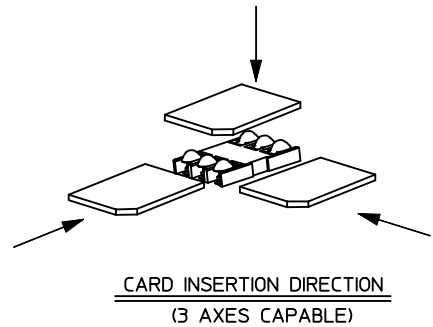
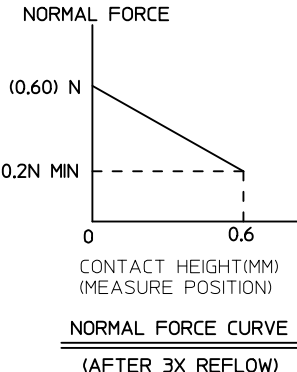
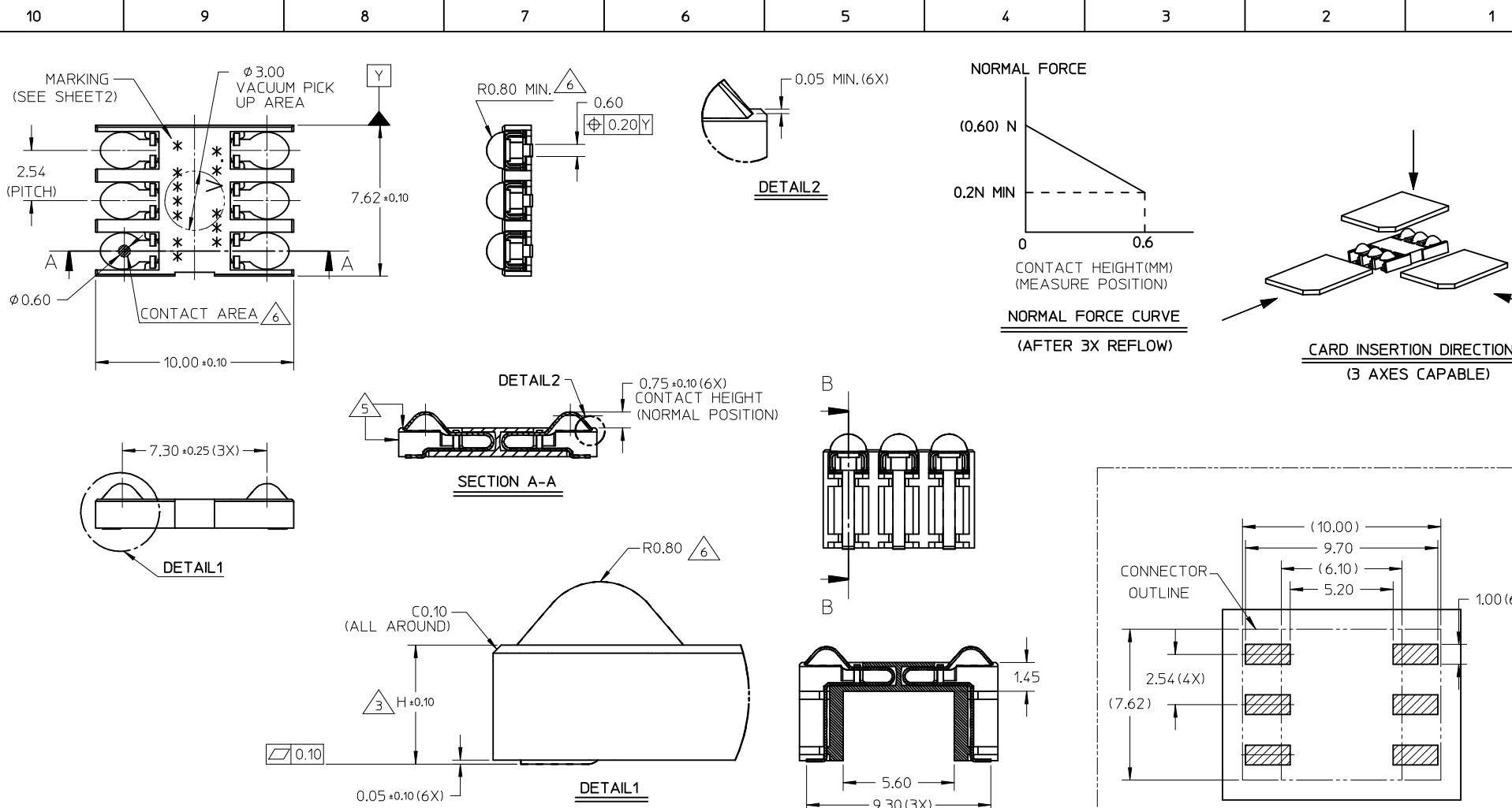


LOGO	MANUFACTURING LOCATION
MSH	Molex ShangHai
MCH	Molex DongGuan
MIN	Molex India
MCD	Molex ChengDu

HEIGHT	YEAR	WEEK	DAY	LINE NO.	SHIFT	MANUFACTURING LOCATION LOGO	APPROVAL	VERSION CODE
15--50	0--9	01--52	1--7	1--	A , B , C	SEE TABLE	V-PRE-APPROVAL A-MASS APPROVAL	2.2
e.g. 20	e.g. 0-2010	e.g. 13	e.g. 1	e.g. 2	e.g. A		V	2.2

PRODUCTION TOOL PART--BLACK INK

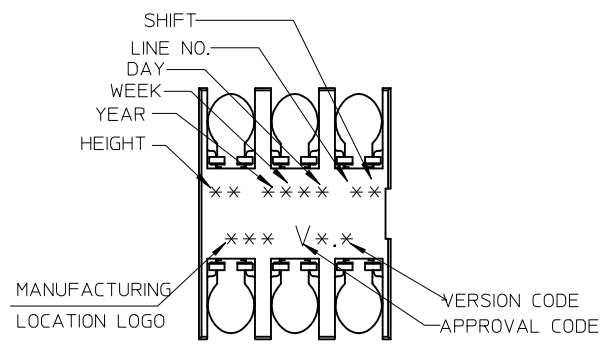
NEW RELEASED EC NO: S2015-0431 DRWN:HTGU002 2014/11/07 CHKD:JZENG 2014/11/10 APPR:KHL IM 2014/11/21	DESCRIPTION REV	QUALITY SYMBOLS	GENERAL TOLERANCES (UNLESS SPECIFIED)	DIMENSION STYLE	SCALE	DESIGN UNITS	THIRD ANGLE PROJECTION
		$F_{\Delta} = 0$ $F_{\nabla} = 0$ $F_{\square} = 0$	(UNLESS SPECIFIED) mm INCH	MM ONLY	NTS	METRIC	
		4 PLACES \pm --- \pm --- 3 PLACES \pm --- \pm --- 2 PLACES \pm 0.10 \pm --- 1 PLACE \pm 0.20 \pm --- 0 PLACE \pm --- \pm ---	DRAWN BY: HTGU002 DATE: 2014/11/07 CHECKED BY: JZENG DATE: 2014/11/10 APPROVED BY: KHL IM DATE: 2014/11/21	TITLE 6 CKT SCALABLE SIM CONNECTOR			
		ANGULAR \pm 2 ° DRAFT WHERE APPLICABLE MUST REMAIN WITHIN DIMENSIONS	MATERIAL NO. SEE TABLE	DOCUMENT NO. SD-47019-003	SHEET NO. 2 OF 2		



- NOTES:**
- 1 MATERIAL:
 - 1-1 HOUSING: LCP , 30% GLASS FILL, UL94 V-0,COLOR BLACK;
 - 1-2 TEMINAL: PHOSPHOR BRONZE , 0.12MM REF THICKNESS;
 - 2 TERMINAL PLATING:
 - 2-1 SIM SIDE (CONTACT AREA) : 0.8 MICROMETER MIN GOLD;
 - 2-2 SOLDER TAIL: GOLD FLASH 0.05 MICROMETER MIN;
 - 2-3 UNDERPLATING: 2 MICROMETER NICKEL OVERALL;
 - 3 H DIMENSION MINIMUM = 1.50MM, MAXIMUM = 5.00MM(SEE CHART ON SHEET2);
 - 4 NO SHARP EDGES INTERFACING WITH THE PCB OR SIM CARD;
 - 5 CONTACT MUST NOT EXTENDED BEYOND HOUSING EDGE DURING DEFLECTION AND MUST LOWER THAN HOUSING LEVEL AFTER 3 TIMES REFLOW;
 - 6 MAINTAIN IN CONTACT AREA.

NEW RELEASED EC NO: S2015-0431 DRW:HTGU002 CHKD:JZENG APPR:KHLIM	2014/11/07 2014/11/10 2014/11/21	DESCRIPTION A	QUALITY SYMBOLS	GENERAL TOLERANCES (UNLESS SPECIFIED)	DIMENSION STYLE	SCALE	DESIGN UNITS	THIRD ANGLE PROJECTION
			$F_A=0$ $F_G=0$ $F_P=0$	mm INCH 4 PLACES ± --- ± --- 3 PLACES ± --- ± --- 2 PLACES ± 0.10 ± --- 1 PLACE ± 0.20 ± --- 0 PLACE ± --- ± ---	MM ONLY	NTS	METRIC	
				DRAWN BY: HTGU002 DATE: 2014/11/07 CHECKED BY: JZENG DATE: 2014/11/10 APPROVED BY: KHLIM DATE: 2014/11/21	TITLE	6 CKT SCALABLE SIM CONNECTOR		
			MATERIAL NO. DOCUMENT NO. SEE TABLE SD-47019-003	SHEET NO. 1 OF 2				

	10	9	8	7	6	5	4	3	2	1
F	PART NUMBER	DIM H	STATUS							
	470191501	1.5	Available							
	470191601	1.6	Only proposal							
	470191701	1.7	Available							
	470191801	1.8	Available							
	470191901	1.9	Only proposal							
	470192001	2.0	Available							
	470192101	2.1	Only proposal							
	470192201	2.2	Only proposal							
	470192301	2.3	Only proposal							
E	470192401	2.4	Available							
	470192501	2.5	Only proposal							
	470192601	2.6	Only proposal							
	470192701	2.7	Only proposal							
	470192801	2.8	Only proposal							
	470192901	2.9	Only proposal							
	470193001	3.0	Only proposal							
	470193101	3.1	Only proposal							
	470193201	3.2	Only proposal							
	470193301	3.3	Only proposal							
D	470193401	3.4	Only proposal							
	470193501	3.5	Only proposal							
	470193601	3.6	Only proposal							
	470193701	3.7	Only proposal							
	470193801	3.8	Only proposal							
	470193901	3.9	Only proposal							
	470194001	4.0	Only proposal							
	470194101	4.1	Only proposal							
	470194201	4.2	Only proposal							
	470194301	4.3	Only proposal							
C	470194401	4.4	Only proposal							
	470194501	4.5	Only proposal							
	470194601	4.6	Only proposal							
	470194701	4.7	Only proposal							
	470194801	4.8	Only proposal							
	470194901	4.9	Only proposal							
	470195001	5.0	Only proposal							



LOGO	MANUFACTURING LOCATION
MSH	Molex ShangHai
MCH	Molex DongGuan
MIN	Molex India
MCD	Molex ChengDu

HEIGHT	YEAR	WEEK	DAY	LINE NO.	SHIFT	MANUFACTURING LOCATION LOGO	APPROVAL	VERSION CODE
15--50	0--9	01--52	1--7	1--	A , B , C	SEE TABLE	V-PRE-APPROVAL A-MASS APPROVAL	2.2
e.g. 20	e.g. 0-2010	e.g. 13	e.g. 1	e.g. 2	e.g. A		V	2.2

PRODUCTION TOOL PART--BLACK INK

NEW RELEASED EC NO: S2015-0431 DRWN:HTGU002 2014/11/07 CHKD:JZENG 2014/11/10 APPR:KHL IM 2014/11/21	DESCRIPTION REV	QUALITY SYMBOLS	GENERAL TOLERANCES (UNLESS SPECIFIED)	DIMENSION STYLE	SCALE	DESIGN UNITS	THIRD ANGLE PROJECTION																		
		$F_{\Delta} = 0$ $F_{\nabla} = 0$ $F_{\square} = 0$	<table border="1"> <thead> <tr> <th></th> <th>mm</th> <th>INCH</th> </tr> </thead> <tbody> <tr> <td>4 PLACES</td> <td>± ---</td> <td>± ---</td> </tr> <tr> <td>3 PLACES</td> <td>± ---</td> <td>± ---</td> </tr> <tr> <td>2 PLACES</td> <td>± 0.10</td> <td>± ---</td> </tr> <tr> <td>1 PLACE</td> <td>± 0.20</td> <td>± ---</td> </tr> <tr> <td>0 PLACE</td> <td>± ---</td> <td>± ---</td> </tr> </tbody> </table>		mm	INCH	4 PLACES	± ---	± ---	3 PLACES	± ---	± ---	2 PLACES	± 0.10	± ---	1 PLACE	± 0.20	± ---	0 PLACE	± ---	± ---	MM ONLY	NTS	METRIC	
			mm	INCH																					
		4 PLACES	± ---	± ---																					
3 PLACES	± ---	± ---																							
2 PLACES	± 0.10	± ---																							
1 PLACE	± 0.20	± ---																							
0 PLACE	± ---	± ---																							
	<table border="1"> <thead> <tr> <th></th> <th>DATE</th> </tr> </thead> <tbody> <tr> <td>DRAWN BY</td> <td>HTGU002 2014/11/07</td> </tr> <tr> <td>CHECKED BY</td> <td>JZENG 2014/11/10</td> </tr> <tr> <td>APPROVED BY</td> <td>KHL IM 2014/11/21</td> </tr> </tbody> </table>		DATE	DRAWN BY	HTGU002 2014/11/07	CHECKED BY	JZENG 2014/11/10	APPROVED BY	KHL IM 2014/11/21	TITLE		6 CKT SCALABLE SIM CONNECTOR													
	DATE																								
DRAWN BY	HTGU002 2014/11/07																								
CHECKED BY	JZENG 2014/11/10																								
APPROVED BY	KHL IM 2014/11/21																								
	ANGULAR ± 2 ° DRAFT WHERE APPLICABLE MUST REMAIN WITHIN DIMENSIONS	SEE TABLE	MATERIAL NO.	DOCUMENT NO.																					
A		SIZE	THIS DRAWING CONTAINS INFORMATION THAT IS PROPRIETARY TO MOLEX INCORPORATED AND SHOULD NOT BE USED WITHOUT WRITTEN PERMISSION		SD-47019-003		SHEET NO. 2 OF 2																		