



## AME15-277VZ

Encapsulated

AME15-277VZ series is an efficient 15W AC-DC power supply module. Offering a commercial input voltage range of 85-305VAC, output voltage ranges from 3.3-48V, low power consumption, high efficiency, high reliability and safer isolation.

This new series offers great operating temperatures, from -40°C to 85°C with full power up to 55°C also features an isolation of 4000VAC for improved reliability and system safety. Furthermore, a high MTBF of 300,000h, output short circuit protection (OSCP), output over-current protection (OCP) and an output over-voltage protection (OVP) come standard with the series.

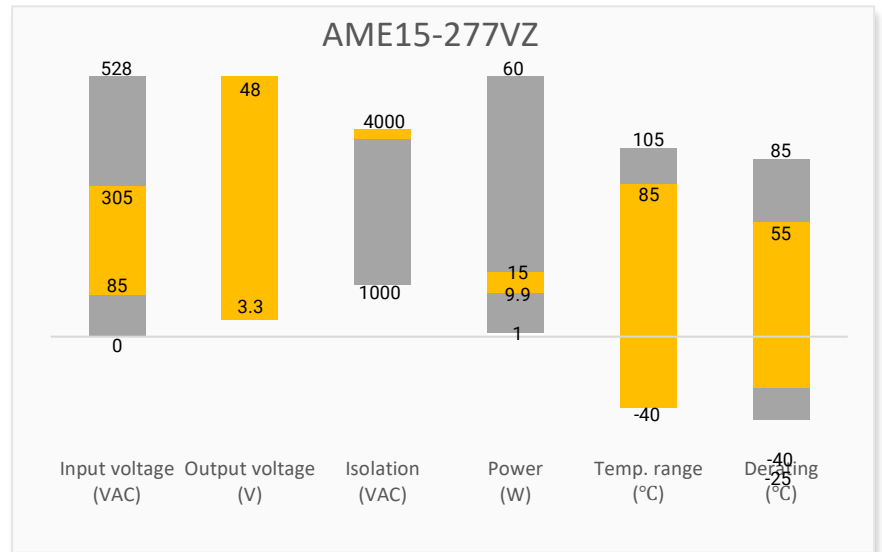
The AME15-277VZ is perfect for grid power, LED, instrumentation, industrial controls, communication and civil applications.

## Features

- Universal Input: 85 - 305VAC/100 - 430VDC
- Operating Temp: -40 °C to +85 °C
- High isolation voltage: 4000VAC
- Low ripple & noise, 50mV(p-p), Typ.
- Output short circuit, over-current, over-voltage protection
- Regulated Output



## Summary



## Training



Product Training Video  
(click to open)



Press Release

Coming Soon!

Application Notes

## Applications



Power Grid



Industrial



Telecom



Instrumentation

## Models & Specifications

Single Output							
Model	Input Voltage (VAC/Hz)	Input Voltage (VDC)	Max Output wattage (W)	Output Voltage (V)	Output Current max (A)	Maximum capacitive load (μF)	Efficiency @ 230VAC (%)
AME15-3S277VZ	85-305/47-63	100-430	9.9	3.3	3	30000	73
AME15-5S277VZ	85-305/47-63	100-430	14	5	2.8	16000	76
AME15-9S277VZ	85-305/47-63	100-430	15	9	1.6	5500	78
AME15-12S277VZ	85-305/47-63	100-430	15	12	1.25	4500	80
AME15-15S277VZ	85-305/47-63	100-430	15	15	1	4000	80
AME15-24S277VZ	85-305/47-63	100-430	15	24	0.625	800	83
AME15-48S277VZ	85-305/47-63	100-430	15	48	0.32	220	85

Note: Use suffix "ST" for chassis and suffix "STD" for DIN-Rail mounting (ex. AME15-5S277NZ-ST is chassis mounting and AME15-5S277NZ-STD is DIN-Rail mounting version).

Input Specifications					
Parameters	Conditions	Minimum	Typical	Maximum	Units
Current	115VAC			0.37	A
	230VAC			0.22	A
Inrush current	115VAC		16		A
	230VAC		30		A
Leakage current	277VAC			0.25	mA (RMS)
External fuse	slow blow type,300V		2		A

Output Specifications				
Parameters	Conditions	Typical	Maximum	Units
Voltage accuracy	3.3V output	±3		%
	Others	±2		%
Line regulation	Full load	±0.5		%
Load regulation	0-100% load	±1		%
Ripple & Noise*	20MHz bandwidth	50	100	mV p-p
Hold up time	115VAC	5		ms
	230VAC	40		ms

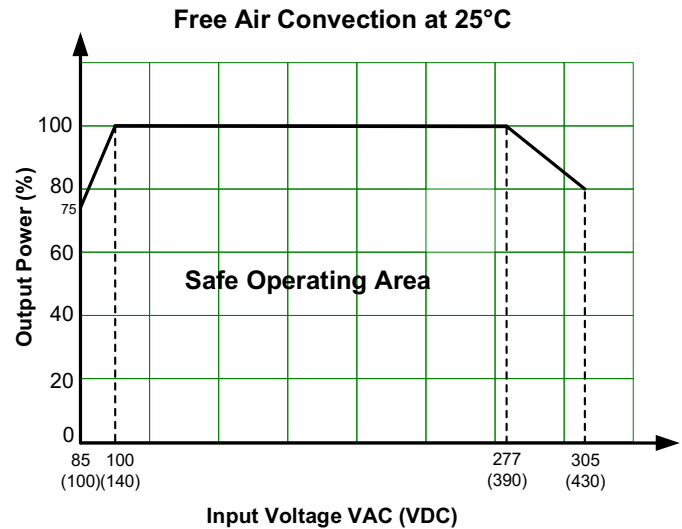
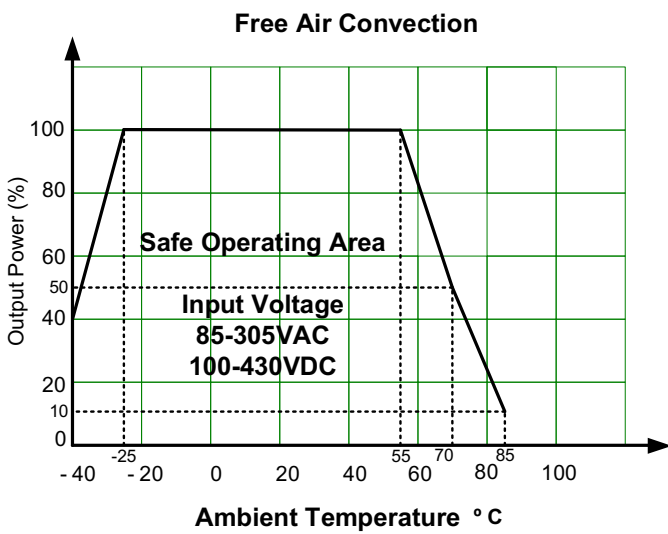
\* Ripple and Noise are measured at 20MHz bandwidth by using the referenced Application circuit.

Isolation Specifications				
Parameters	Conditions	Typical	Rated	Units
Tested I/O voltage	60 sec, leakage current < 5mA		4000	VAC

General Specifications				
Parameters	Conditions	Typical	Maximum	Units
Safety class	Class II			
Over Current protection	Auto recovery	≥ 150	300	% of Iout
Over voltage protection	3.3V/5V Vout		7.5	VDC
	9V Vout		15	
	12V/15V Vout		20	
	24V Vout		30	
	48V Vout		60	
Short circuit protection	Hiccup, Continuous, Auto recovery			
Operating temperature	See derating graph	-40 to +85		°C
Storage temperature		-40 to +105		°C
Lead temperature	Wave soldering	260 ± 5 °C; time : 5 - 10s		
	Hand soldering	360 ± 10 °C; time : 3 - 5s		
Power consumption	48V Vout		0.55	W
	Others		0.5	W
Power derating	-40 °C ~ -25 °C	4		% / °C
	55 °C ~ 70 °C	3.34		
	70 °C ~ 85 °C	2.67		
	85VAC ~ 100VAC	1.67		% / VAC
	277VAC ~ 305VAC	0.72		
Temperature coefficient		±0.02		% / °C
Cooling	Free air convection			
Humidity	Non-condensing		95	% RH
Case material	Heat resistant black Plastic (flammability to UL 94V-0)			
Weight	PCB mountable models	90		g
	With optional -ST mounting plate:	140		
	With optional -STD mounting plate:	180		
Dimensions (L x W x H)	PCB mountable models	2.44 x 1.77 x 0.89 inches (62.0 x 45.0 x 22.5mm)		
	With optional -ST mounting plate:	3.78 x 2.13 x 1.22 inches (96.1 x 54.0 x 31.0mm)		
	With optional -STD mounting plate:	3.78 x 2.13 x 1.40 inches (96.1 x 54.0 x 35.6mm)		
MTBF	> 300 000 hrs (MIL-HDBK -217F, t=+25°C)/Full Load			
NOTE: All specifications in this datasheet are measured at an ambient temperature of 25°C, humidity<75%, nominal input voltage and at rated output load unless otherwise specified.				

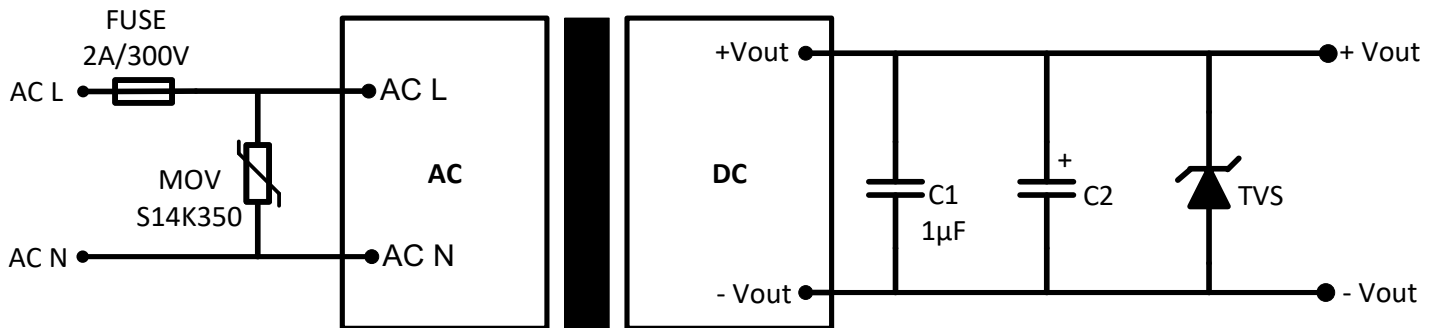
Safety Specifications			
Parameters			
Agency approvals	UL 62368-1		
Standards	Information technology Equipment	Design to meet IEC/EN 62368-1	
	EMC - Conducted and radiated emission	CISPR32 / EN55032, class B	
	Electrostatic Discharge Immunity	IEC 61000-4-2 Contact ±6KV / Air ±8KV, Criteria B	
	RF, Electromagnetic Field Immunity	IEC 61000-4-3 10V/m, Criteria A	
	Electrical Fast Transient/Burst Immunity	IEC 61000-4-4 ±2KV, Criteria B	
		IEC 61000-4-4 ±4KV, with EMC recommended circuit, Criteria B	
	Surge Immunity	IEC 61000-4-5 L-L ±1KV/L-G ±2KV, Criteria B	
		IEC 61000-4-5 L-L ±2KV/L-G ±4KV, with EMC recommended circuit, Criteria B	
	RF, Conducted Disturbance Immunity	IEC 61000-4-6 10Vr.m.s, Criteria A	
	Voltage dips, Short Interruptions Immunity	IEC 61000-4-11 0%, 70%, Criteria B	

## Derating



## Typical Application Circuit

### Single Output

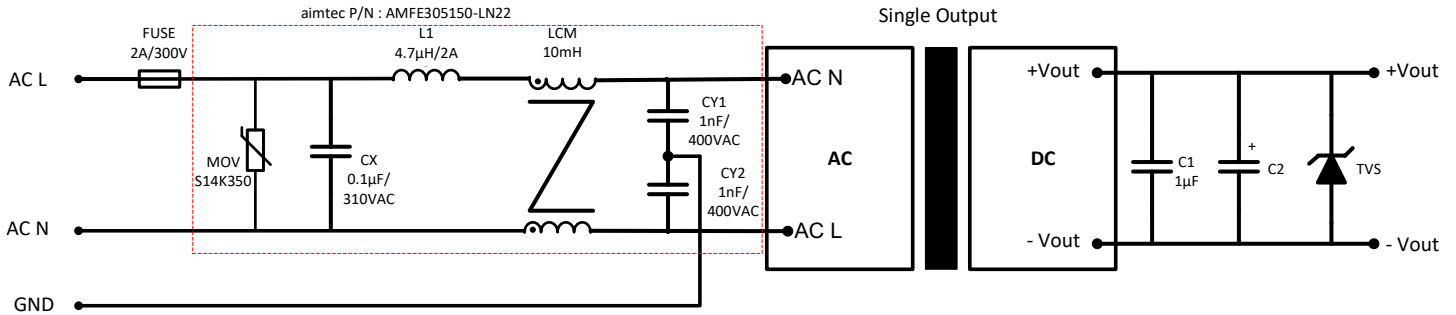


Model	C2	TVS
3.3 / 5 Vout	680 µF / 10V	SMBJ7.0A
9 Vout	470 µF / 16V	SMBJ12A
12 / 15 Vout	220 µF / 25V	SMBJ20A
24 Vout	68 µF / 35V	SMBJ30A
48 Vout	33 µF / 63V	SMBJ64A

### Output Filter Components:

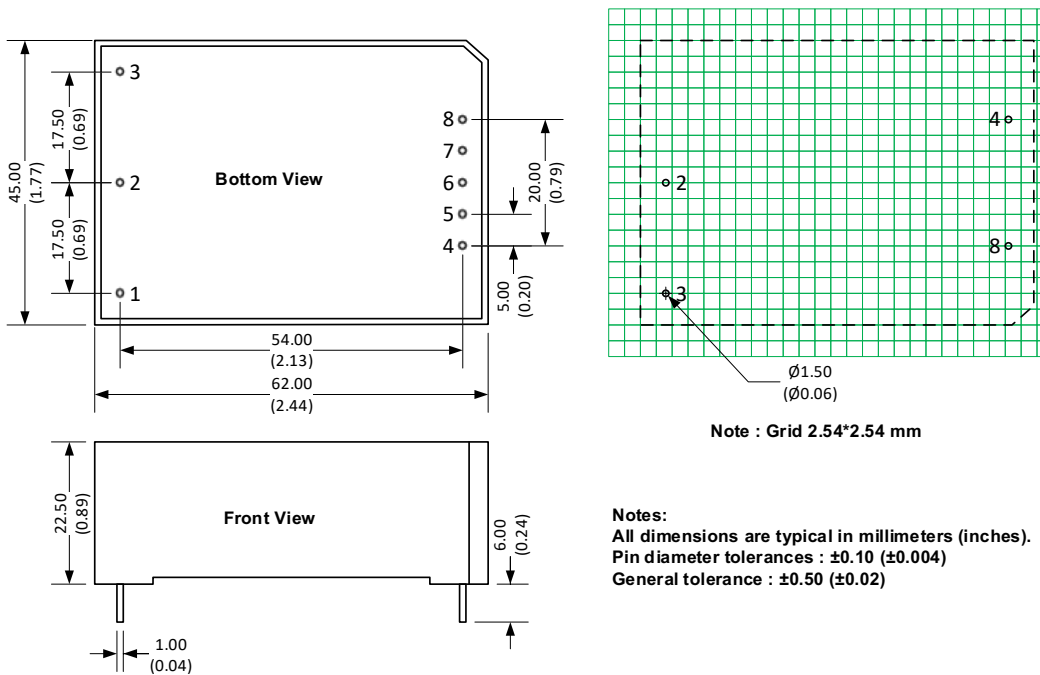
We recommend using an electrolytic capacitor with high frequency, and low ESR rating for C2. C1 is a ceramic capacitor used for filtering high-frequency noise and TVS is a recommended suppressor diode.

## EMC Recommended Circuit



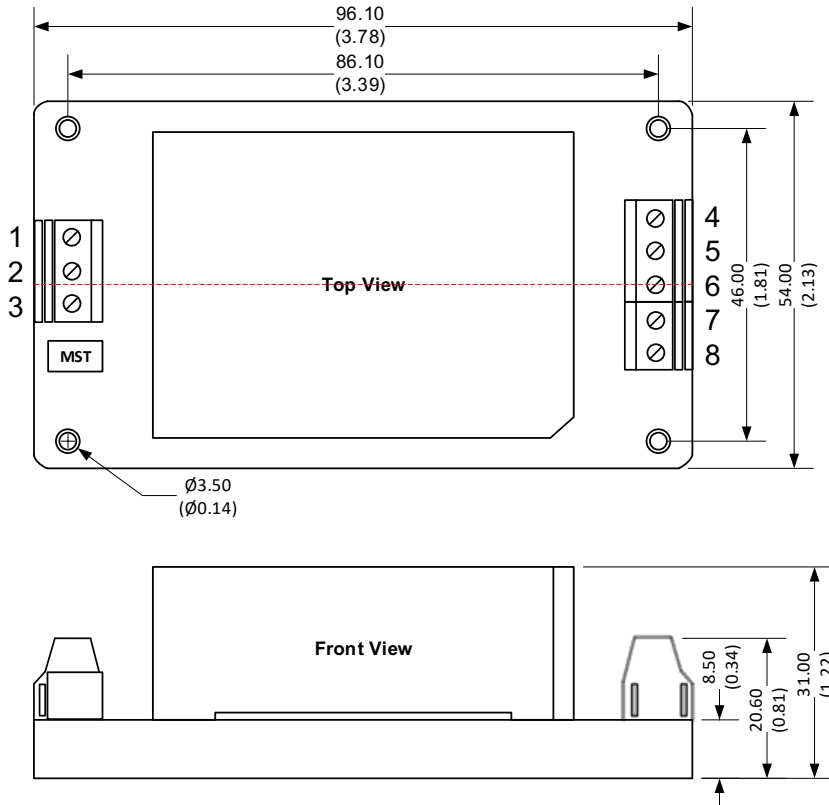
Note : AMFE305150-LN22 is aimtec 2KV/4KV EMC filter.

## Dimensions



Pin Output Specifications	
Pin	Single
1	NC
2	AC Input (N)
3	AC Input (L)
4	-V Output
5	NC
6	NC
7	NC
8	+V Output

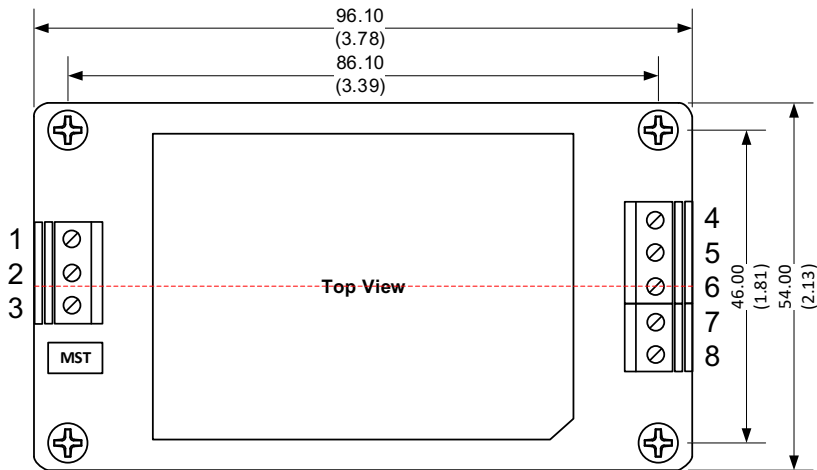
## Dimensions with Optional -ST



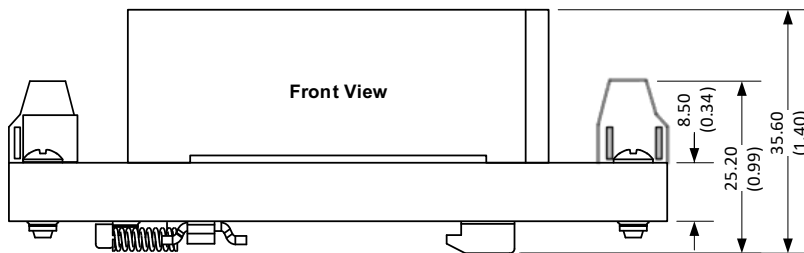
Pin Output Specifications	
Pin	Single
1	NC
2	AC Input (N)
3	AC Input (L)
4	-V Output
5	NC
6	NC
7	NC
8	+V Output

**Notes:**  
 All dimensions are typical in millimeters (inches).  
 Wire range : 24-12 AWG  
 Tightening torque : Max 0.4 N.m  
 General tolerance  $\pm 1.00$  : ( $\pm 0.04$ )

## Dimensions with Optional -STD



Pin Output Specifications	
Pin	Single
1	NC
2	AC Input (N)
3	AC Input (L)
4	-V Output
5	NC
6	NC
7	NC
8	+V Output



**Notes:**

All dimensions are typical in millimeters (inches).  
 Mounting rail : TS35, rail need to connect safety ground  
 Wire range : 24-12 AWG  
 Tightening torque : Max 0.4 N.m  
 General tolerance  $\pm 1.00$  : ( $\pm 0.04$ )

**NOTE:** 1. Datasheets are updated as needed and as such, specifications are subject to change without notice. Once printed or downloaded, datasheets are no longer controlled by Aimtec; refer to [www.aimtec.com](http://www.aimtec.com) for the most current product specifications. 2. Product labels shown, including safety agency certifications on labels, may vary based on the date manufactured. 3. Mechanical drawings and specifications are for reference only. 4. All specifications are measured at an ambient temperature of 25°C, humidity < 75%, nominal input voltage and at rated output load unless otherwise specified. 5. Aimtec may not have conducted destructive testing or chemical analysis on all internal components and chemicals at the time of publishing this document. CAS numbers and other limited information are considered proprietary and may not be available for release. 6. This product is not designed for use in critical life support systems, equipment used in hazardous environments, nuclear control systems or other such applications which necessitate specific safety and regulatory standards other than the ones listed in this datasheet. 7. Warranty is in accordance with Aimtec's standard Terms of Sale available at [www.aimtec.com](http://www.aimtec.com).