



ISORATE
ISOLATED EDGE RATE CONTACT



IJ5H-02-0600-S-2-02SP2



IJ5H-08-0300-S-2-03SP2

IJ5H SERIES

(4.00 mm) .1575"

50 Ω HYBRID RF CABLE ASSEMBLY

SPECIFICATIONS

For complete specifications and recommended PCB layouts see www.samtec.com?IJ5H

Insulator Material:

Black LCP

Contact Material:

Copper Alloy

Pin Material:

Copper Alloy

Dielectric Material:

Black LCP

Plating:

Au over 50 μ" (1.27 μm) Ni

Operating Temp Range:

-40 °C to +90 °C

RoHS Compliant:

Yes

Cable (-2):

Conductor Size:

26 AWG, (0.51 mm) .020" dia.

Conductor Material:

Silver and Copper Plated Steel Wire

Insulator Diameter:

(1.52 mm) .060"

Insulator Material:

PTFE

Shield Material:

Silver Plated Copper Wire

Jacket Material:

FEP

Jacket Diameter:

(2.54 mm) .100"

Bend Radius:

12.7 mm

Impedance:

50 Ω

Current Rating:

5A DC

RoHS Compliant:

Yes

Mates with:
IP5, SMA, MCX, MMCX, SMB5

Low-cost isolated transmission line system

RG 316 Cable

1, 2, 4, 6 or 8 Positions

Positive latching

Choice of traditional RF end options

EDGE RATE
CONTACT

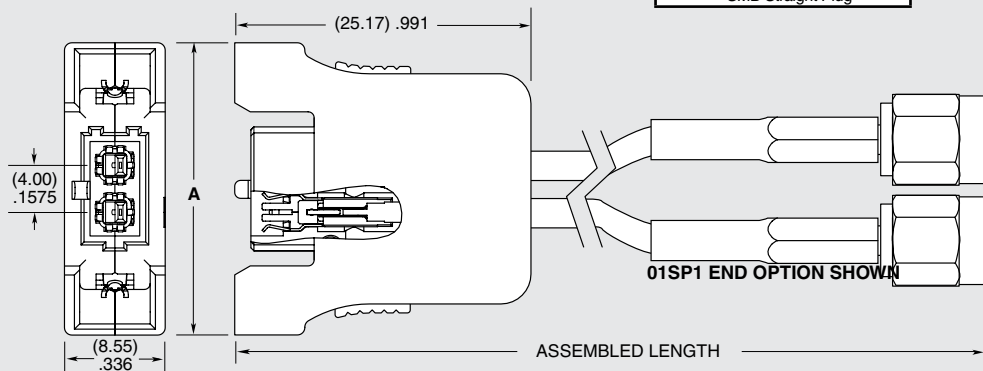
IJ5H	NO. OF POSITIONS	ASSEMBLED LENGTH	END 1 PLATING	CABLE TYPE	END 2 OPTION
	-01, -02, -04, -06, -08	- "XXXX" = Assembled Length in millimeters -0300 to -1000 (1000 mm) 39.40" maximum	-S = 30 μ" (0.76 μm) Gold on contact	-2 = RG 316 cable	Specify END 2 OPTION from chart.

NO. OF POSITIONS	A
-01	(20.87) .822
-02	(24.87) .979
-04	(32.87) 1.294
-06	(40.87) 1.609
-08	(48.87) 1.924

END 2 OPTION
All Gold
-01SP1 = SMA Straight Plug
-01RP1 = SMA Right-angle plug
-01BJ1 = SMA Bulkhead Jack
-01SR1 = SMA Straight Bulkhead Jack, Sealed, Reversed Polarity

END 2 OPTION
All Gold
-02SP1 = MCX Straight Plug
-02RP1 = MCX Right-angle Plug
-03SP1 = MMCX Straight Plug
-03RP1 = MMCX Right-angle Plug
-07SP1 = SMB Straight Plug

END 2 OPTION
Gold/Nikel Combination
-02SP2 = MCX Straight Plug
-03SP2 = MMCX Straight Plug
-07SP2 = SMB Straight Plug



Note:
This Series is non-standard, non-returnable.