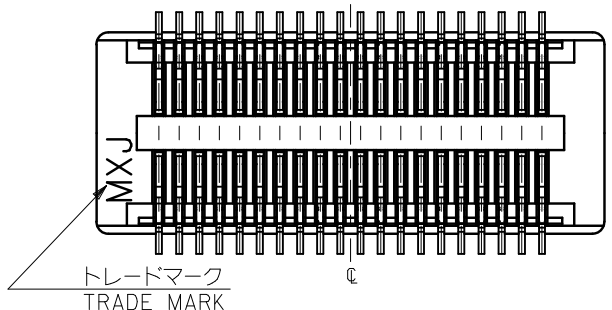


参考基板レイアウト (マウント面)
P.C.BOARD PATTERN
DIMENSION. (REF.)
(MOUNTING AREA)

30極以下品形状
SHAPE OF 30 CIRCUITS OR LESS

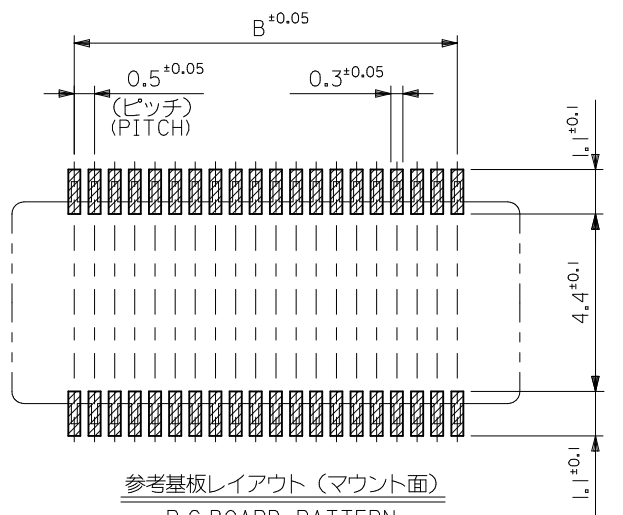
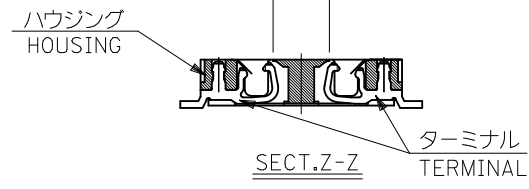
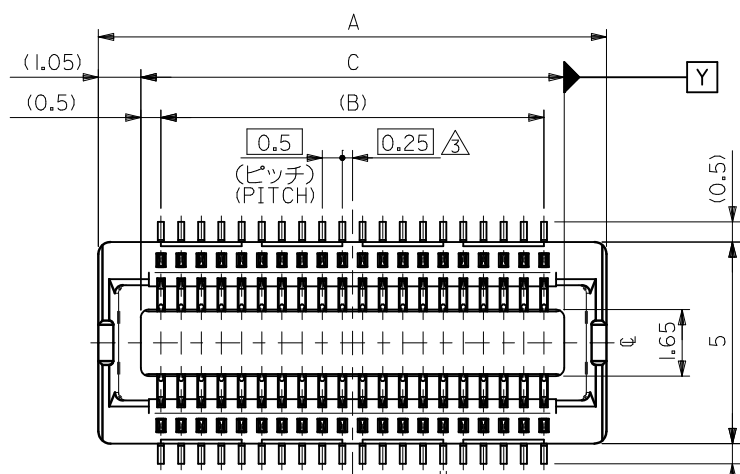


- 注記 NOTES:
1. 使用材料 MATERIAL
 ハウジング: 液晶ポリマー ガラス充填, UL94V-0 (黒)
 HOUSING: LIQUID CRYSTAL POLYMER (GLASS FILLED)
 UL94V-0, (COLOR: BLACK)
 ターミナル: リン青銅 (t=0.15)
 TERMINAL: PHOSPHOR BRONZE (t=0.15)
 2. メッキ仕様 PLATING
 金メッキ 0.25 MICROMETER MINIMUM (コンタクト部)
 GOLD 0.25 MICROMETER MINIMUM. (CONTACT AREA)
 金メッキ 0.4 MICROMETER MAXIMUM (テール部)
 GOLD 0.4 MICROMETER MAXIMUM. (TAIL AREA)
 下地メッキ: ニッケルメッキ 1.5 MICROMETER MINIMUM
 UNDER PLATING: NICKEL 1.5 MICROMETER MINIMUM

- △ (全極数/2) = 偶数の場合に適用。
 APPLY FOR (CIRCUIT/2) = EVEN.
 4 嵌合相手: 55560 シリーズ, 53794 シリーズ
 MATE WITH: 55560 SERIES, 53794 SERIES.
 5 テール平坦度は 0.1 MAXIMUM.
 TAIL COPLANARITY TO BE 0.1 MAXIMUM.

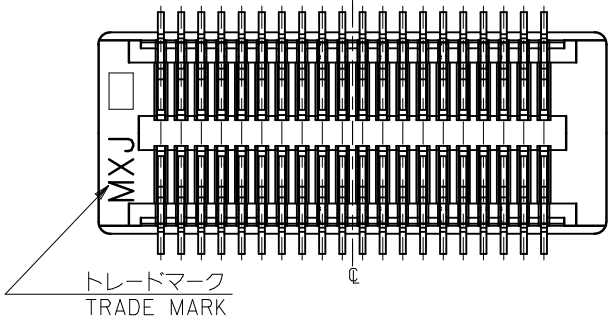
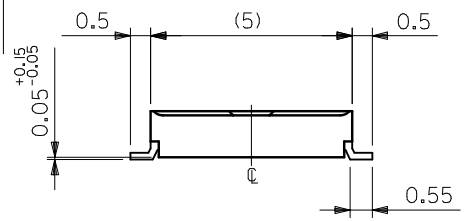
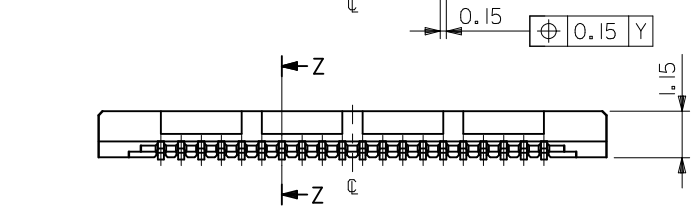
8.0	7.0	10.1	54722-0301	30
6.5	5.5	8.6	54722-0241	24
6.0	5.0	8.1	54722-0221	22
5.5	4.5	7.6	54722-0201	20
4.5	3.5	6.6	54722-0161	16
C	B	A	MATERIAL. NO	極数 CIRCUIT

REVISED EC NO: J2010-1532 DRW: KYAMANE 2010/02/01 CHKD: SARUYAMA 2010/02/01 APPR: MASASAO 2010/02/01	GENERAL TOLERANCES (UNLESS SPECIFIED)		DIMENSION STYLE MM ONLY		SCALE ---	DESIGN UNITS METRIC	THIRD ANGLE PROJECTION	
	10 UNDER	±0.20	DRAWN BY S. AIHARA	DATE 2000/10/05	TITLE 0.5 B-TO-B CONN REC HOUSING ASSY (HGT=1.5) (SHEET 1 OF 2)			
	10 OVER 30 UNDER	±0.25	CHECKED BY T. ITO	DATE 2000/10/05	MOLEX INCORPORATED			
	30 OVER	±0.3	APPROVED BY M. FUKUSHIMA	DATE 2000/10/05	DOCUMENT NO. SD-54722-007	SHEET NO. 1 OF 2		
	ANGULAR ±3 °	DRAFT WHERE APPLICABLE MUST REMAIN WITHIN DIMENSIONS		SEE CHART				
		THIS DRAWING CONTAINS INFORMATION THAT IS PROPRIETARY TO MOLEX INCORPORATED AND SHOULD NOT BE USED WITHOUT WRITTEN PERMISSION						



参考基板レイアウト (マウント面)
P.C.BOARD PATTERN
DIMENSION. (REF.)
(MOUNTING AREA)

34極以上品形状
SHAPE OF 34CIRCUITS OR MORE



注記 NOTES:

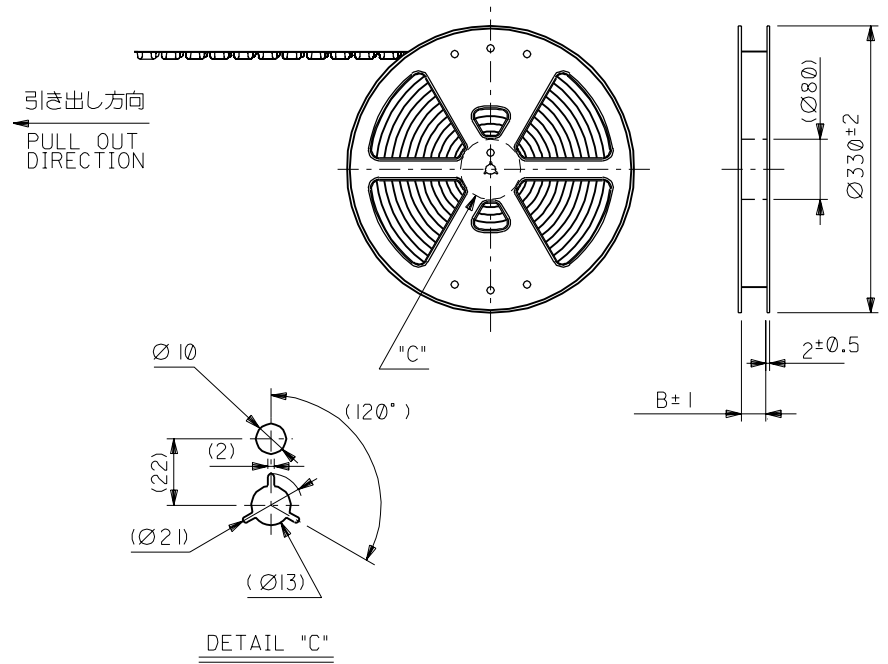
1. 使用材料 MATERIAL
ハウジング: 液晶ポリマー ガラス充填, UL94V-0 (黒)
HOUSING: LIQUID CRYSTAL POLYMER (GLASS FILLED)
UL94V-0, (COLOR: BLACK)
ターミナル: リン青銅 (t=0.15)
TERMINAL: PHOSPHOR BRONZE (t=0.15)
2. メッキ仕様 PLATING
金メッキ 0.25 MICROMETER MINIMUM (コンタクト部)
GOLD 0.25 MICROMETER MINIMUM. (CONTACT AREA)
金メッキ 0.4 MICROMETER MAXIMUM (テール部)
GOLD 0.4 MICROMETER MAXIMUM. (TAIL AREA)
下地メッキ: ニッケルメッキ 1.5 MICROMETER MINIMUM
UNDER PLATING : NICKEL 1.5 MICROMETER MINIMUM

- △ (全極数/2) = 偶数の場合に適用。
APPLY FOR (CIRCUIT/2)=EVEN.
4 嵌合相手: 55560 シリーズ, 53794 シリーズ
MATE WITH : 55560 SERIES, 53794 SERIES.
5 テール平坦度は 0.1 MAXIMUM.
TAIL COPLANARITY TO BE 0.1 MAXIMUM.

20.5	19.5	22.6	54722-0801	80
15.5	14.5	17.6	54722-0601	60
13.0	12.0	15.1	54722-0501	50
10.5	9.5	12.6	54722-0401	40
9.0	8.0	11.1	54722-0341	34
C	B	A	MATERIAL. NO	極数 CIRCUIT

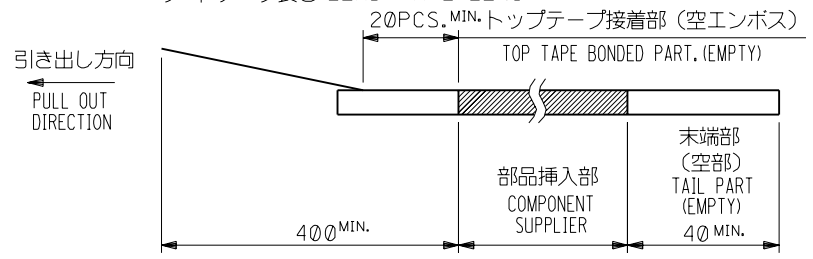
MODEL NO. 54722-***1

SEE SHEET 1 OF 2 EC NO: J2010-1532 DRW: KYAMANE 2010/02/01 CHKD: SHARUYAMA 2010/02/01 APPR: MASASAO 2010/02/01	GENERAL TOLERANCES (UNLESS SPECIFIED)		DIMENSION STYLE MM ONLY		SCALE ---	DESIGN UNITS METRIC	THIRD ANGLE PROJECTION	
	10 UNDER	±0.20	DRAWN BY S. AIHARA	DATE 2001/02/13	TITLE 0.5 B-TO-B CONN REC HOUSING ASSY (HGT=1.5) (SHEET 2 OF 2)			
	10 OVER 30 UNDER	±0.25	CHECKED BY T. ITO	DATE 2001/02/13	MOLEX INCORPORATED			
	30 OVER	±0.3	APPROVED BY M. FUKUSHIMA	DATE 2001/02/13	DOCUMENT NO. SD-54722-007	SHEET NO. 2 OF 2		
	ANGULAR ±3 °	DRAFT WHERE APPLICABLE MUST REMAIN WITHIN DIMENSIONS		SEE CHART		THIS DRAWING CONTAINS INFORMATION THAT IS PROPRIETARY TO MOLEX INCORPORATED AND SHOULD NOT BE USED WITHOUT WRITTEN PERMISSION		

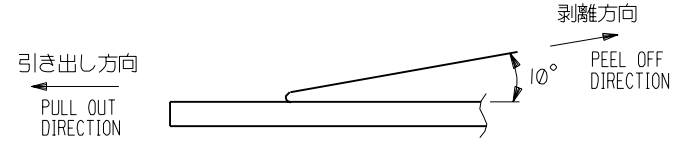


NOTES

- 製品詳細寸法については図面 SD-54722-007 を参照下さい。
RE DETAILED DIMENSION, SEE SD-54722-007
- 梱包数量：2000個/リール
NUMBER OF CONNECTORS : 2000PCS/REEL
- リードテープ長さ LEAD TAPE LENGTH



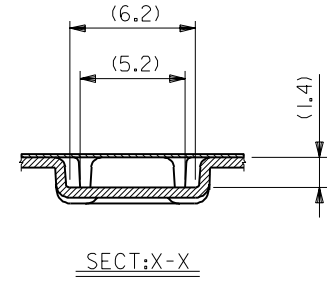
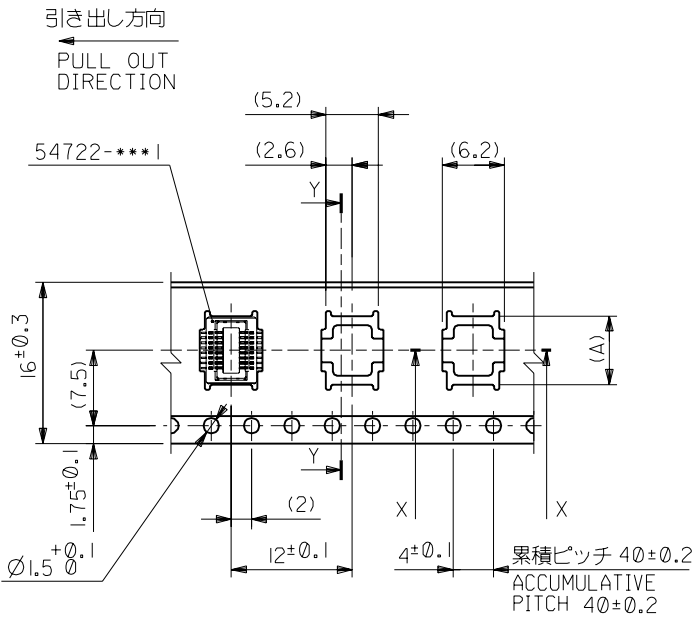
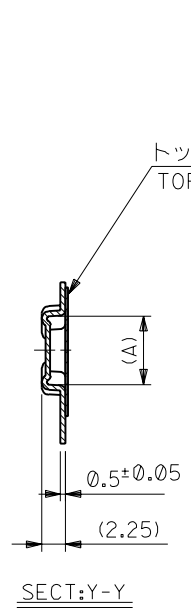
- トップテープの剥離強度：0.1N ~ 0.7N(10.2gf ~ 71.4gf)
(剥離方向は下図参照)
尚、本規格値は出荷時に適用。(但し、輸送時に剥離が発生しないこと。)
PEELING OFF FORCE OF TOP TAPE : 0.1N ~ 0.7N(10.2gf ~ 71.4gf)
(PEELING DIRECTION AS SHOWN IN FOLLOWING FIG.)
THIS REQUIREMENT SHOULD BE APPLIED AT SHIPMENT.
PEEL OFF SHOULD NOT BE ALLOWED , DURING TRANSPORTATION.



- 材料(MATERIAL)
キャリアテープ：ポリプロピレン (PP)
CARRIER TAPE : POLYPROPYLENE (PP)
トップテープ：PET, PE, PEF
TOP TAPE : PET, PE, PEF
リール：ポリスチレン (PS) <リサイクル材を含む>
REEL : POLYSTYRENE (PS) <RECYCLE MATERIAL CONTAINED>

④64NO. DRWN: CH'K: APPR:		④63NO. DRWN: CH'K: APPR:		④62NO. DRWN: CH'K: APPR:		REVISED 01/09/19 ④61NO. J2002-0650 DRWN: R. TAKEUCHI CH'K: T. ITO APPR: T. YAMAGUCHI		PROPOSED ④60NO. JC2001-0402 DRWN: S. AIHARA 00/11/28 CH'K: T. ITO APPR: M. FUKUSHIMA		MATERIAL 材料 注記参照 SEE NOTES		GENERAL TOLERANCES: (UNLESS SPECIFIED) 一般公差		SCALE 1/1		MODEL NO. 54722-***8		DIMENSIONS: <input type="checkbox"/> mm <input type="checkbox"/> INCH <input checked="" type="checkbox"/> mm ONLY		SHT 1 REV 01			
						A		0		//		10 UNDER 未満		±0.2		DRAWN BY & DATE S. AIHARA 00/11/28		TITLE: 0.5 B-To-B Conn Rec Assy (Hgt=1.5) Embstp Pkg					
										//		10 OVER 30 UNDER 未満		±0.25		CHECKED BY & DATE T. ITO 01/09/19		MOLEX		MOLEX INCORPORATED			
										//		30 OVER 以上		±0.3		APPROVED BY & DATE T. YAMAGUCHI 01/09/19							
										//		ANGLE 角度		±3°		CAD FILENAME 54722010.S01		MATERIAL NO. SEE CHART		DRAWING NO. SD-54722-010		SHEET NO. 1 OF 3	
										//						THIS DRAWING CONTAINS INFORMATION THAT IS PROPRIETARY TO MOLEX INCORPORATED AND SHOULD NOT BE USED WITHOUT WRITTEN PERMISSION.				SIZE B			

DWG. NO. SD-54722-010



16mm幅キャリアテープ
16mm WIDTH CARRIER TAPE

16	17.5	6.8	54722-0168	16
キャリアテープ幅 CARRIER TAPE WIDTH		B	(A)	極数 CIRCUIT
MODEL NO.		54722-***8		DIMENSIONS:

064 NO. DRAWN: CH'K: APP'Z:	063 NO. DRAWN: CH'K: APP'Z:	062 NO. DRAWN: CH'K: APP'Z:
-----------------------------------	-----------------------------------	-----------------------------------

REVISED '01/09/19 061 NO. J2002-0650 DRAWN: R.TAKEUCHI CH'K: T.IITO APP'Z: T.YAMAGUCHI	PROPOSED 060 NO. JC2001-0402 DRAWN: S.AIHARA '00/11/28 CH'K: T.IITO APP'Z: M.FUKUSHIMA
--	--

MATERIAL 材料 SHEET 1 OF 3 参照 REFER TO SHEET 1 OF 3	FINISH 仕上げ //	WIRE RANGE 適用線径範囲 //	INS. RANGE 被覆外径 //
--	---------------------	----------------------------	--------------------------

GENERAL TOLERANCES: (UNLESS SPECIFIED) 一般公差	SCALE //	DESIGN UNITS mm INCH	APPROX ANGLE PROJECTION
10 UNDER 未満	±0.2		
10 OVER 30 UNDER 以上 未満	±0.25		
30 OVER 以上	±0.3		
ANGLE 角度	±3°		

DRAWN BY & DATE S.AIHARA '00/11/28	TITLE: 0.5 B-To-B Conn Rec Assy (Hgt=1.5) Embstp Pkg
CHECKED BY & DATE T.IITO '01/09/19	
APPROVED BY & DATE T.YAMAGUCHI '01/09/19	
CAD FILENAME 54722010.S02	
MATERIAL NO. SEE CHART	DRAWING NO. SD-54722-010
MOLEX INCORPORATED	
SHT 2	REV 03
THIS DRAWING CONTAINS INFORMATION THAT IS PROPRIETARY TO MOLEX INCORPORATED AND SHOULD NOT BE USED WITHOUT WRITTEN PERMISSION.	
SIZE B	

DO NOT SCALE DRAWING

DWG. NO. SD-54722-010

F

D

V

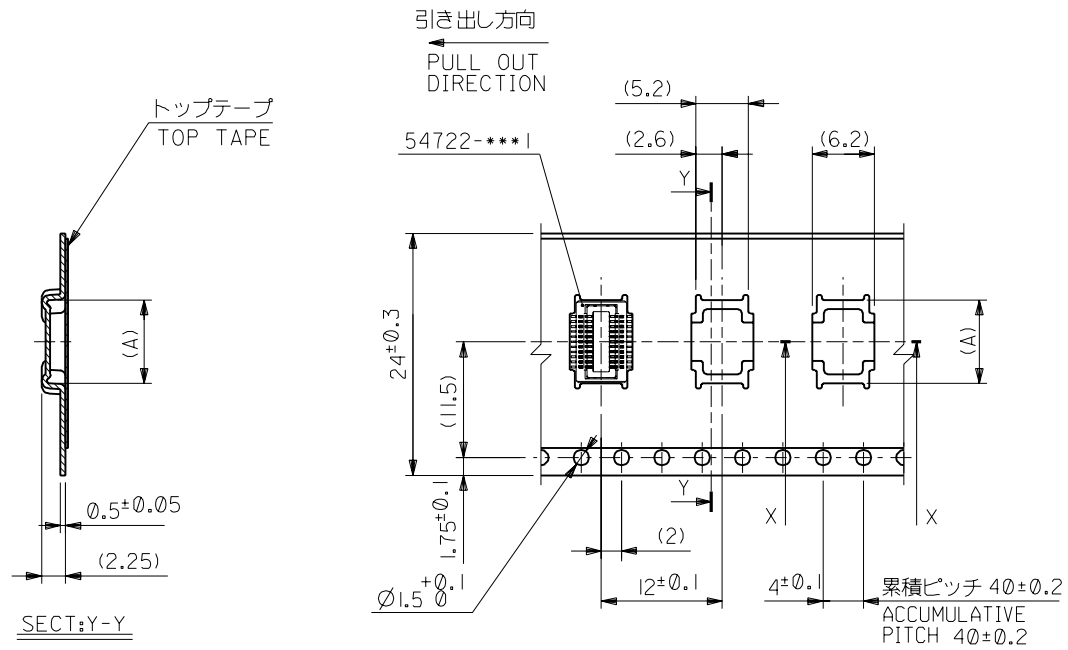
C

B

DO NOT SCALE DRAWING

8 7 6 5 4 3 2 1

F
E
D
C
B
A



24mm幅キャリアテープ
24mm WIDTH CARRIER TAPE

24	25.5	10.3	54722-0308	30
		8.3	54722-0228	22
キャリアテープ幅 CARRIER TAPE WIDTH	B	(A)	MATERIAL NO.	極数 CIRCUIT
MODEL NO.	54722-***8		DIMENSIONS:	SHT REV

04 NO. DRWN: CH'K: APPR:	03 NO. DRWN: CH'K: APPR:	02 NO. DRWN: CH'K: APPR:	REVISED: 01/09/19 01 NO. J2002-0650 DRWN: R.TAKEUCHI CH'K: T.IITO APPR: T.YAMAGUCHI	PROPOSED 03 NO. JC2001-0402 DRWN: S.AIHARA '00/11/28 CH'K: T.IITO APPR: M.FUKUSHIMA	MATERIAL 材料 SHEET 1 OF 3 参照 REFER TO SHEET 1 OF 3
			A	0	FINISH 仕上げ //
					WIRE RANGE 適用線幅範囲 //
					INS. RANGE 被覆外径 //

GENERAL TOLERANCES: (UNLESS SPECIFIED) 一般公差		SCALE 1/1	DESIGN UNITS mm	PROJECTION 1st ANGLE	SHT 3	REV
10 UNDER 未満	±0.2					
10 OVER 30 UNDER 未満	±0.25					
30 OVER 以上	±0.3					
ANGLE 角度	±3°					

DRAWN BY & DATE S.AIHARA '00/11/28		TITLE: 0.5 B-To-B Conn Rec Assy (Hgt=1.5) Embstp Pkg	
CHECKED BY & DATE T.IITO '01/09/19		MATERIAL NO. SEE CHART	
APPROVED BY & DATE T.YAMAGUCHI '01/09/19		DRAWING NO. SD-54722-010	
CAD FILENAME 54722010.S03		SHEET NO. 3 OF 3	
THIS DRAWING CONTAINS INFORMATION THAT IS PROPRIETARY TO MOLEX INCORPORATED AND SHOULD NOT BE USED WITHOUT WRITTEN PERMISSION.			
			SIZE B

8 7 6 5 4 3 2 1 EN-02J(097) MXJ-54