

PRODUCT NUMBER
10075024-XXX-XXXLF

PLATING

S = 0.38µm GOLD ON CONTACT AREA
2µm MIN MATTE TIN ON TAIL

G = 0.76µm GOLD ON CONTACT AREA
2µm MIN MATTE TIN ON TAIL

F = GOLD FLASH ON CONTACT AREA
2µm MIN MATTE TIN ON TAIL

LEAD FREE
RoHS COMPATIBLE
NOTE 6

PACKAGING
NOTE 5

POSITIONS PER ROW
02 TO 25

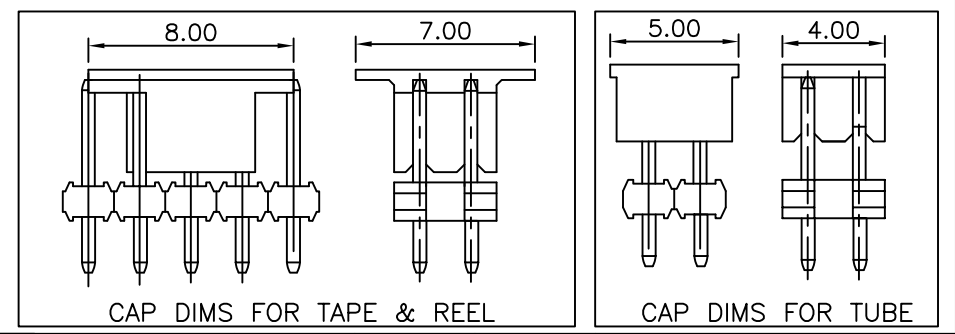
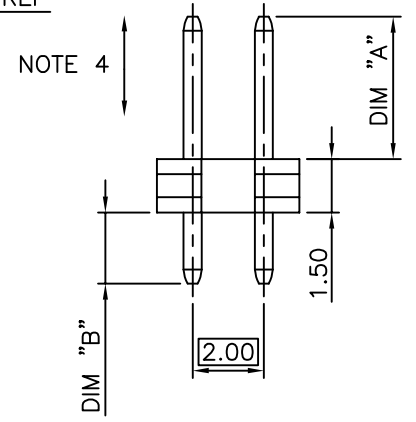
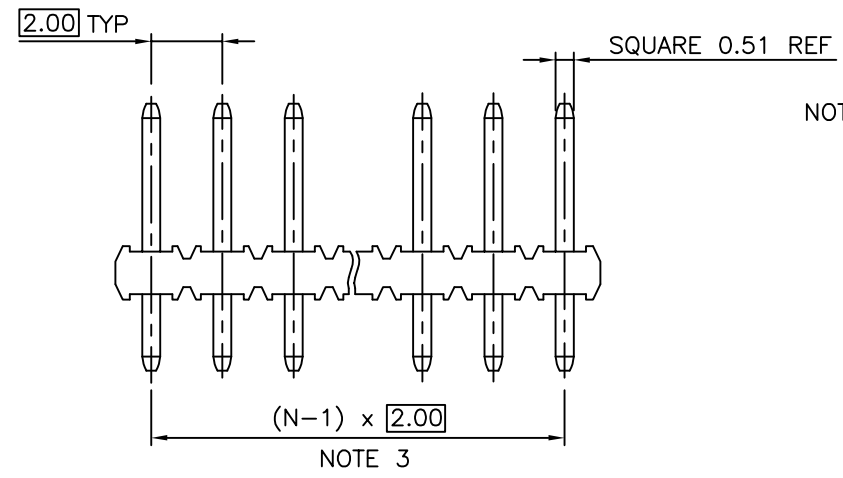
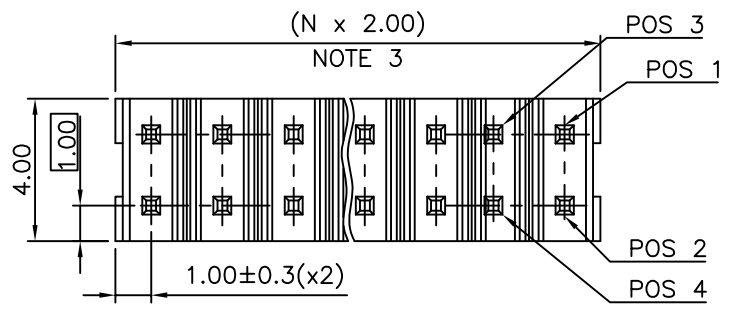
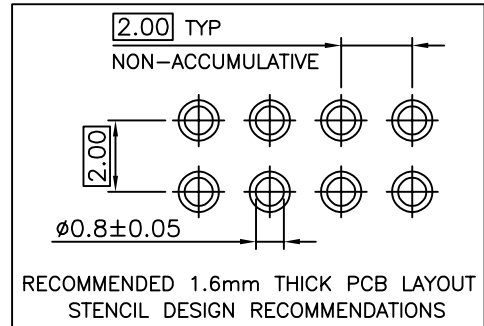
SEE NOTE 9

PIN STYLE	DIM "A" ±0.25	DIM "B" ±0.20
01	4.00	2.00
02	6.90	2.00
03	5.80	2.00
04	6.00	3.00
05	5.70	2.30
06	2.00	3.00
07	4.00	2.50

1.27µm MIN NICKEL UNDERPLATING

- NOTES:
- MATERIAL HOUSING: HIGH TEMP. THERMOPLASTIC UL 94V-0, COLOR BLACK
 - MATERIAL TERMINAL: COPPER ALLOY
 - TO DETERMINE DIMENSIONS:
N = NUMBER OF POSITIONS PER ROW
 - 7N MIN. PIN RETENTION IN EITHER DIRECTION.
 - PACKAGING:
= STANDARD PACKAGING IN POLYBAG
U = TUBE WITHOUT PICK UP CAP
AVAILABLE FROM 03 TO 25 POS PER ROW
P = TUBE WITH PICK UP CAP
AVAILABLE FROM 03 TO 25 POS PER ROW
A = TAPE AND REEL WITH PICK UP CAP, AS AVAILABLE.
 - RoHS COMPATIBLE PRODUCT SPECIFICATIONS
 - PLATING:
- "LF" MEANS THE PRODUCT IS LEAD-FREE,
2µm MINIMUM MATTE TIN OVER 1.27µm
MINIMUM NICKEL UNDERPLATE.
 - MANUFACTURING PROCESS COMPATIBILITY
- THE HOUSING WILL WITHSTAND EXPOSURE TO
260°C PEAK TEMPERATURE FOR 30 SECONDS MAX
IN A CONVECTION, INFRA-RED, OR VAPOR PHASE
OR REFLOW OVEN
 - LABELLING:
- MEETS PACKAGING SPECS AS PER GS-14-920
 - LEGAL STATEMENT: SEE GS-47-0004
 - OPTIONAL LETTER:
FOR FULL LOADED PRODUCT USE -
FOR POLARIZED VERSIONS, SEE TABLE

OPTIONAL LETTER FOR POLARIZED VERSION	MISSING PIN POSITION
A	20
B	9



mat'l. code		surface ISO 1302 ✓		tolerance ISO 406 ISO 1101		projection		product family MINITEK	
ltr ecn no dr date		tolerances unless otherwise specified		.X ±0.3		mm		title UNSHR.HEADER	
		angles linear		.XX ±0.15		scale 5:1		2.00 mm VERTICAL PIP	
K F-26013 DDE 17.02.02				.XXX ±0.05				dwg no sheet 1 of 1 size	
L F-27930 DDE 17.09.11 dr		L MULIN 07.01.04		engr J.COMPAGNON 07.01.04		FCJ		10075024 A3	
M F-47179 DDE 23.02.02		chr		appd J.M.C 07.01.04				type CUSTOMER Drawing	
sheet index		revision sheet							