

Type PMA-DS-08-Q2S
Panel Mount Fuse Holder
1/4" x 1 1/4" (6.3 x 32mm) Fuses
Driver / Screw



www.optifuse.com (619) 593-5050

Electrical Rating: 10A 250VAC / 12VDC

Fuse Style: 1/4" x 1 1/4" (6.3 x 32mm)

Material:

Frame: Polycarbonate (UL flame: 94V-2)

Cap: PBT (UL flame: 94V-0)

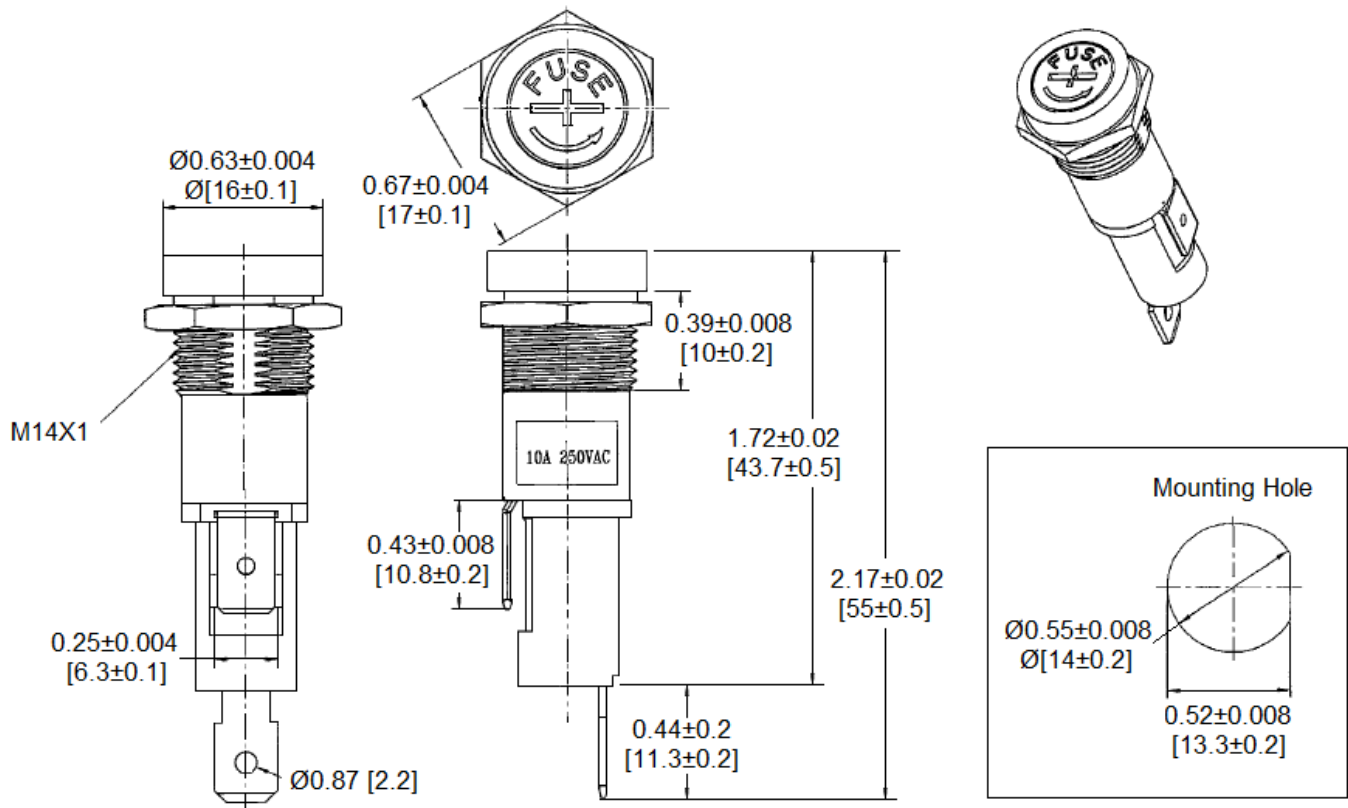
Terminals: Nickel-plated brass


Cap: Slotted Driver type, Screw type – Rated to IP-56

Mounting: by nut

Terminal: Solder/Quick-Connect 6.4mm / 0.250"

Product Dimensions: Inches [mm]



<p>Warning:</p> 	<ul style="list-style-type: none"> -Operation beyond the specified maximum ratings or improper use may result in damage and possible electrical arcing and/or flame. -Fuse Holders are not intended for circuit disconnect. All power should be disconnected before removing fuse. -Avoid contact of Fuse Holder with chemical solvent. Prolonged contact may damage the device performance.
--	---