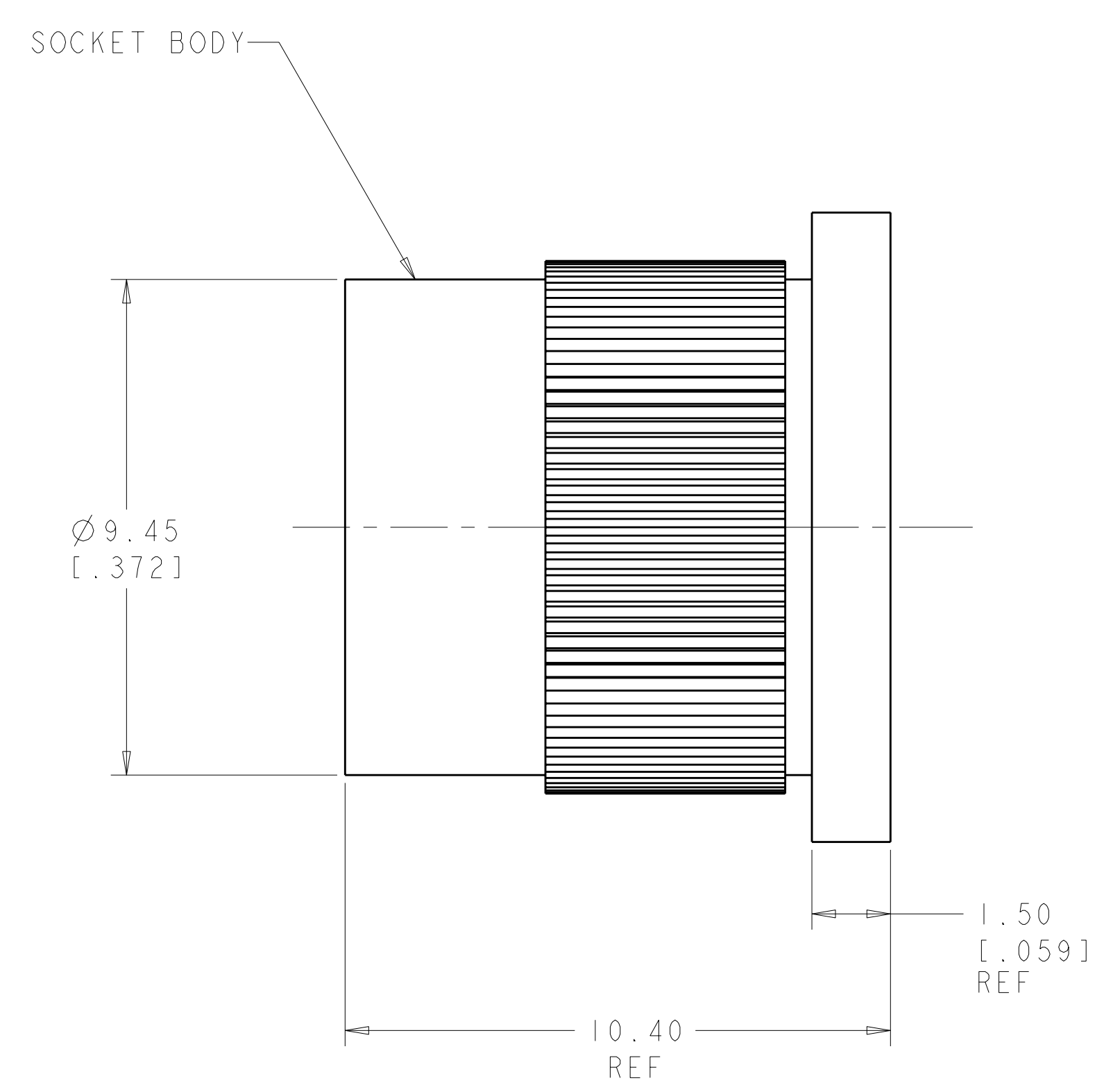
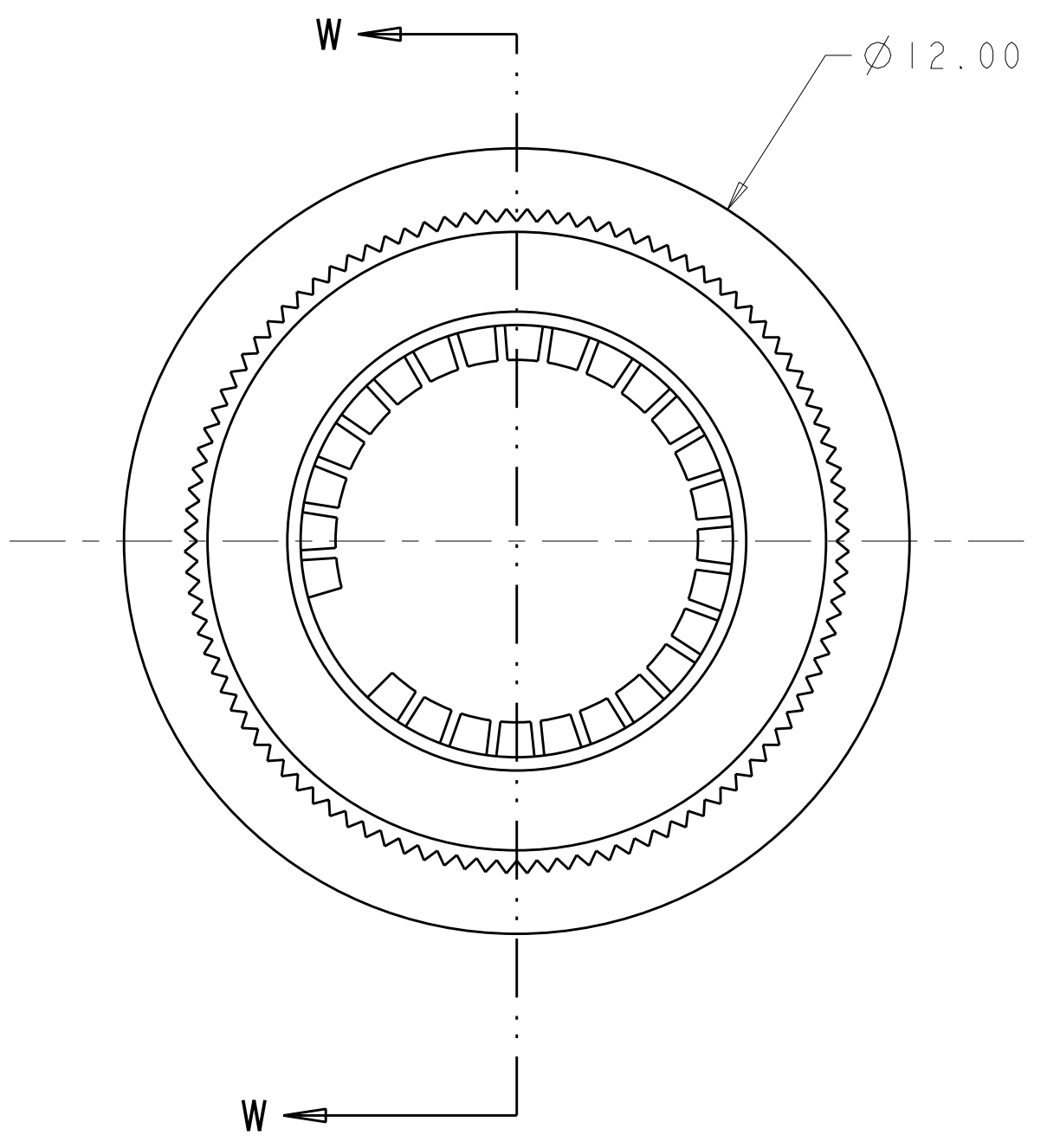
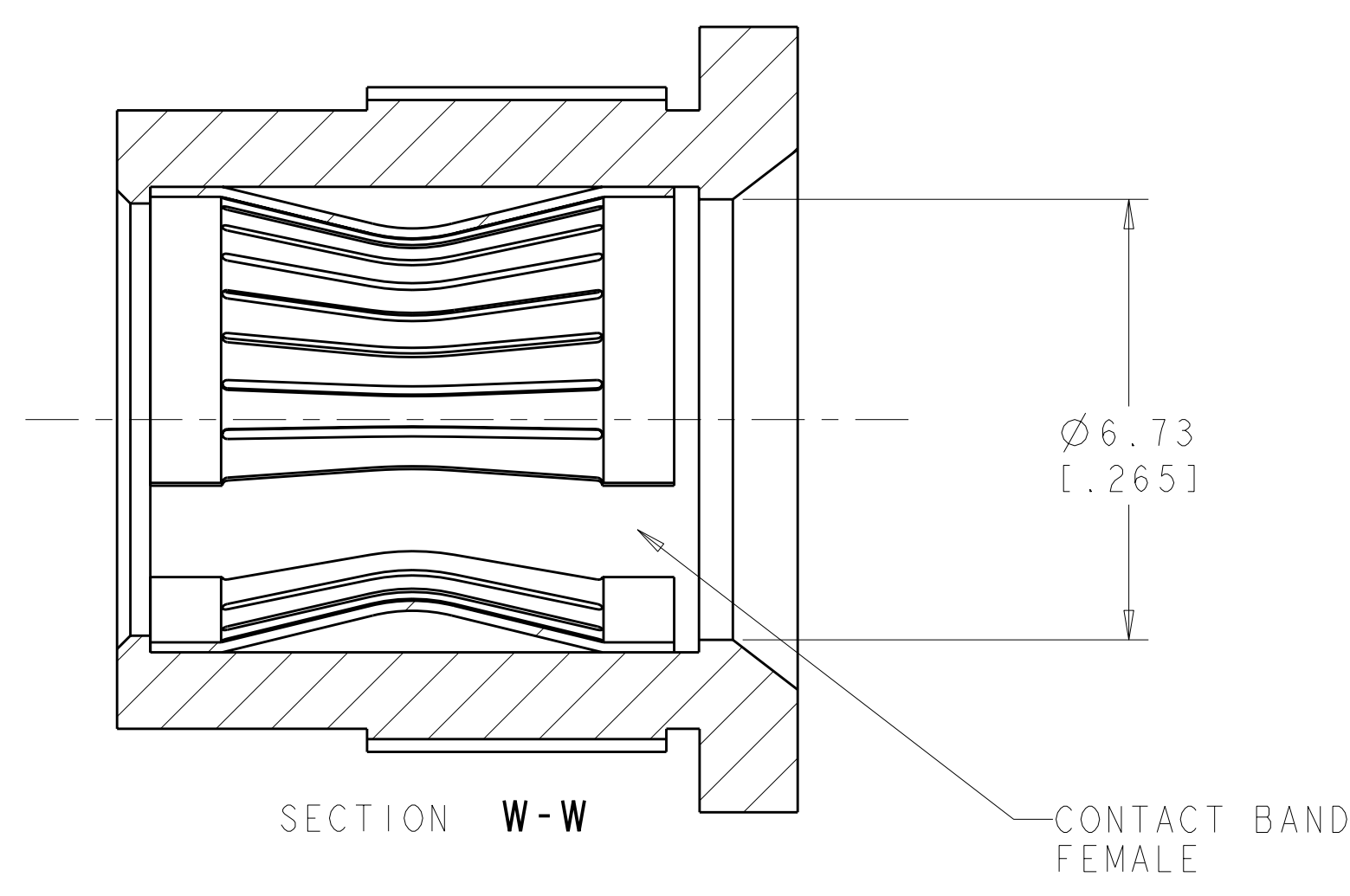


LOC		DIST		REVISIONS			
GP	00	P	LTR	DESCRIPTION	DATE	DWN	APVD
		1		PROPOSED DESIGN	11DEC2007	WVS	GRD
		2		REMOVED INCH DIMENSIONS	24APR2008	WVS	GRD



- PART NUMBER CHANGES AND/OR DESIGN CHANGES AFFECTING ITEM INTERCHANGEABILITY REQUIRES PRIOR TYCO ELECTRONICS APPROVAL AND AUTHORIZATION BY REVISION TO THIS DRAWING.
- ITEMS PROVIDED TO THIS SPECIFICATION SHALL BE IDENTIFIED ON THE PACKAGE AS FOLLOWS: MANUFACTURER IDENTIFICATION PART NUMBER.
- RECOMENDED BUS BAR HOLE  $\varnothing 10.03 \pm 0.03$  [ $\varnothing .395 \pm .001$ ].
- MATES WITH A  $\varnothing 6.35$  [.250] PIN.
- MATERIAL:  
 SOCKET BODY - COPPER ALLOY  
 CONTACT BAND - COPPER ALLOY
- FINISH:  
 SOCKET BODY - SILVER PLATE OVER NICKEL PLATE OVER ALL  
 CONTACT BAND - GOLD PLATE IN CONTACT AREA OVER NICKEL PLATE OVER ALL
- THIS PRODUCT HAS NOT COMPLETED QUALIFICATION TESTING.

AS SHOWN	1926755-1
DESCRIPTION	PART NO

THIS PRINT IS  
**PRELIMINARY**  
 UNQUALIFIED PRODUCT  
 CONTACT PRODUCT ENGINEERING  
 BEFORE USING THIS PRINT

DIMENSIONS: mm [ INCHES ]		TOLERANCES UNLESS OTHERWISE SPECIFIED: 9 PLC ± 1 PLC ±0.25 [1.010] 5 PLC ± 4 PLC ± ANGLES ±2°		DWN: WM VAN SCOOC 13NOV2007 CHK: G.R. DEFIBAUGH 13NOV2007 APVD: G.R. DEFIBAUGH 13NOV2007		Tyco Electronics Harrisburg, PA 17105-3608	
MATERIAL: 5		FINISH: 6		PRODUCT SPEC: - APPLICATION SPEC: - WEIGHT: -		NAME: ASSEMBLY, #4 SOCKET, BUSBAR, SHORT SIZE: A   00779   C=1926755 SCALE: 4:1   SHEET: 1 OF 1   REV: 2	
CUSTOMER DRAWING				RESTRICTED TO			