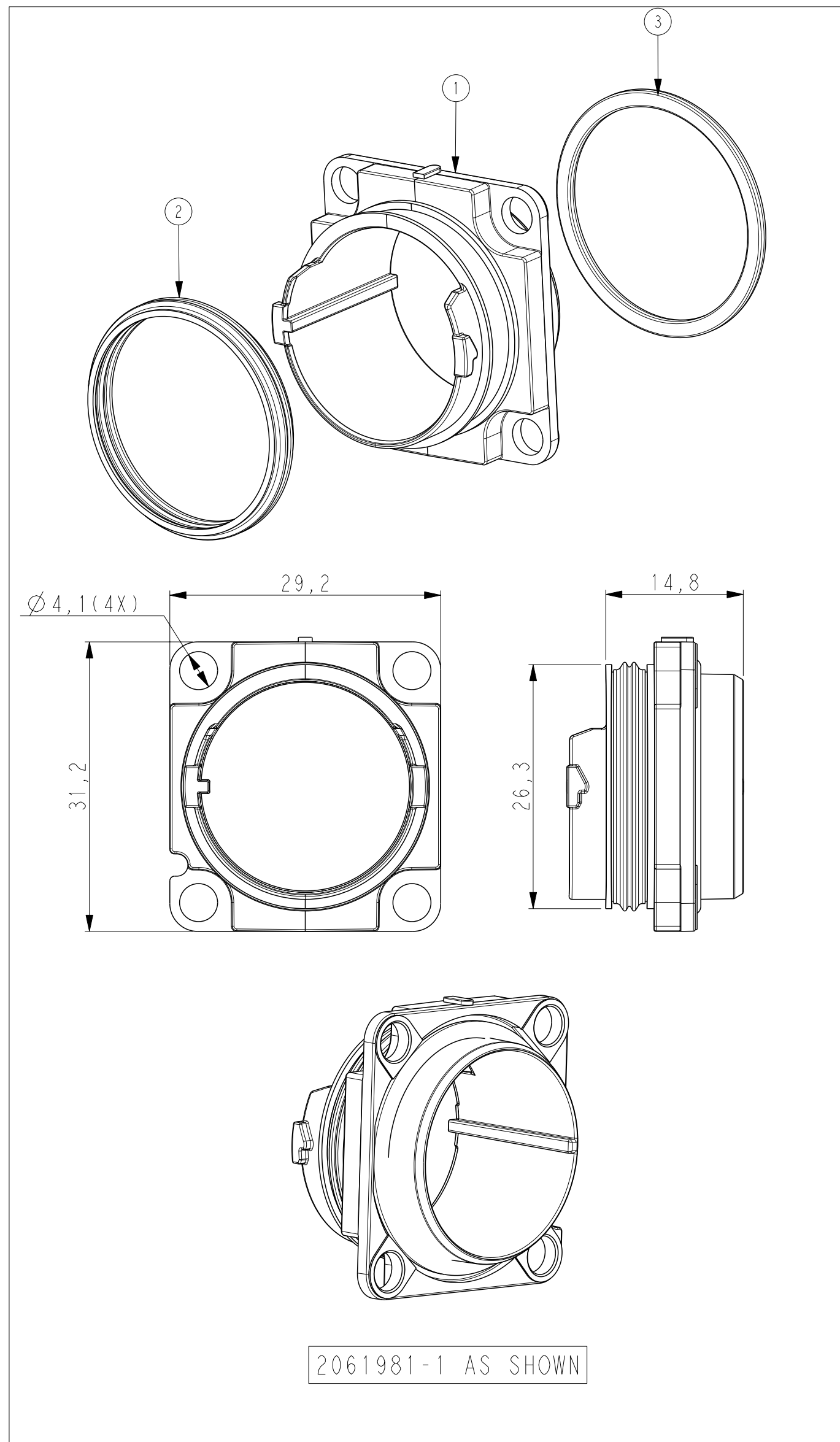
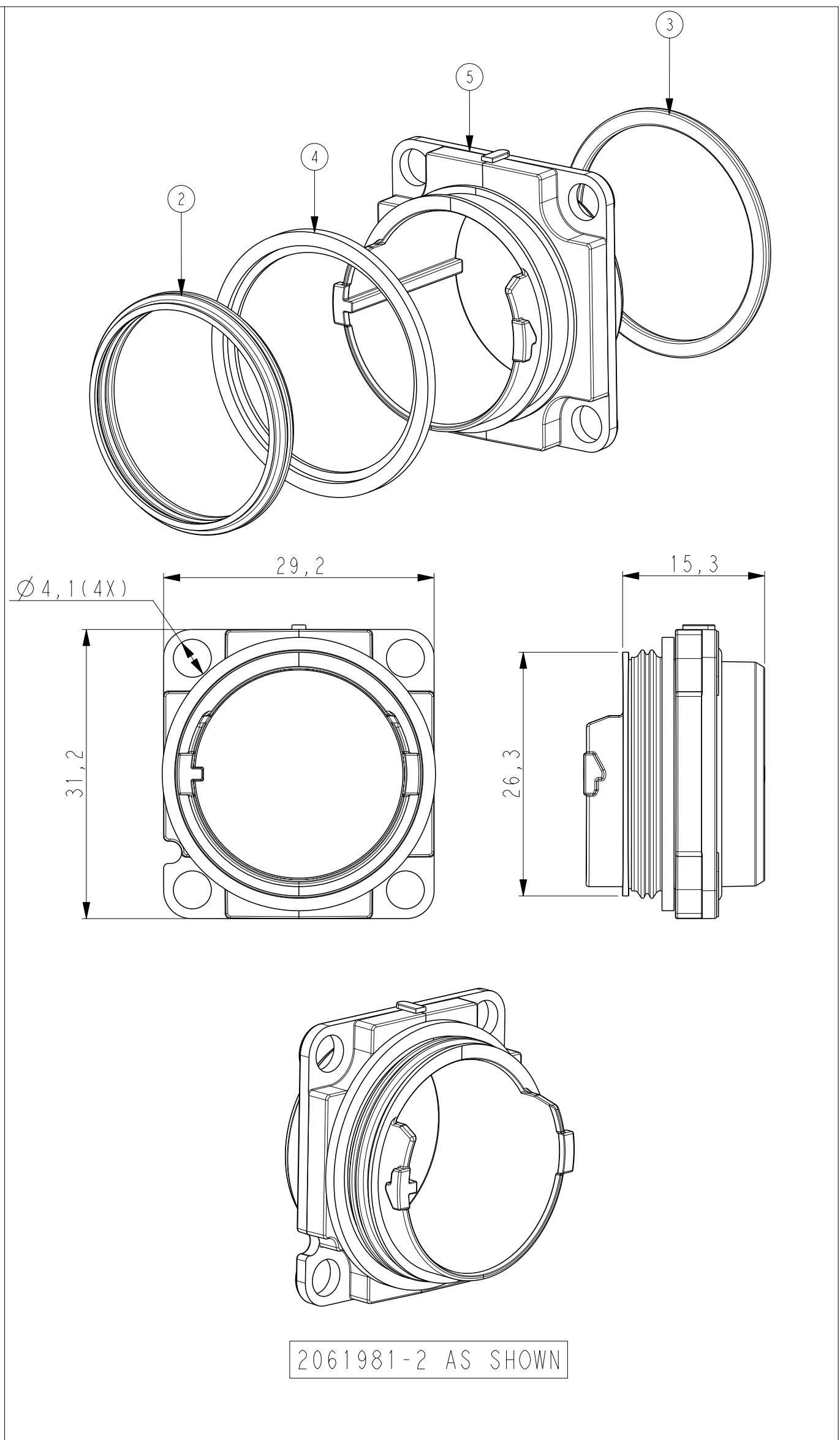


THIS DRAWING IS UNPUBLISHED. RELEASED FOR PUBLICATION 2014
 © COPYRIGHT 2014 BY - ALL RIGHTS RESERVED.

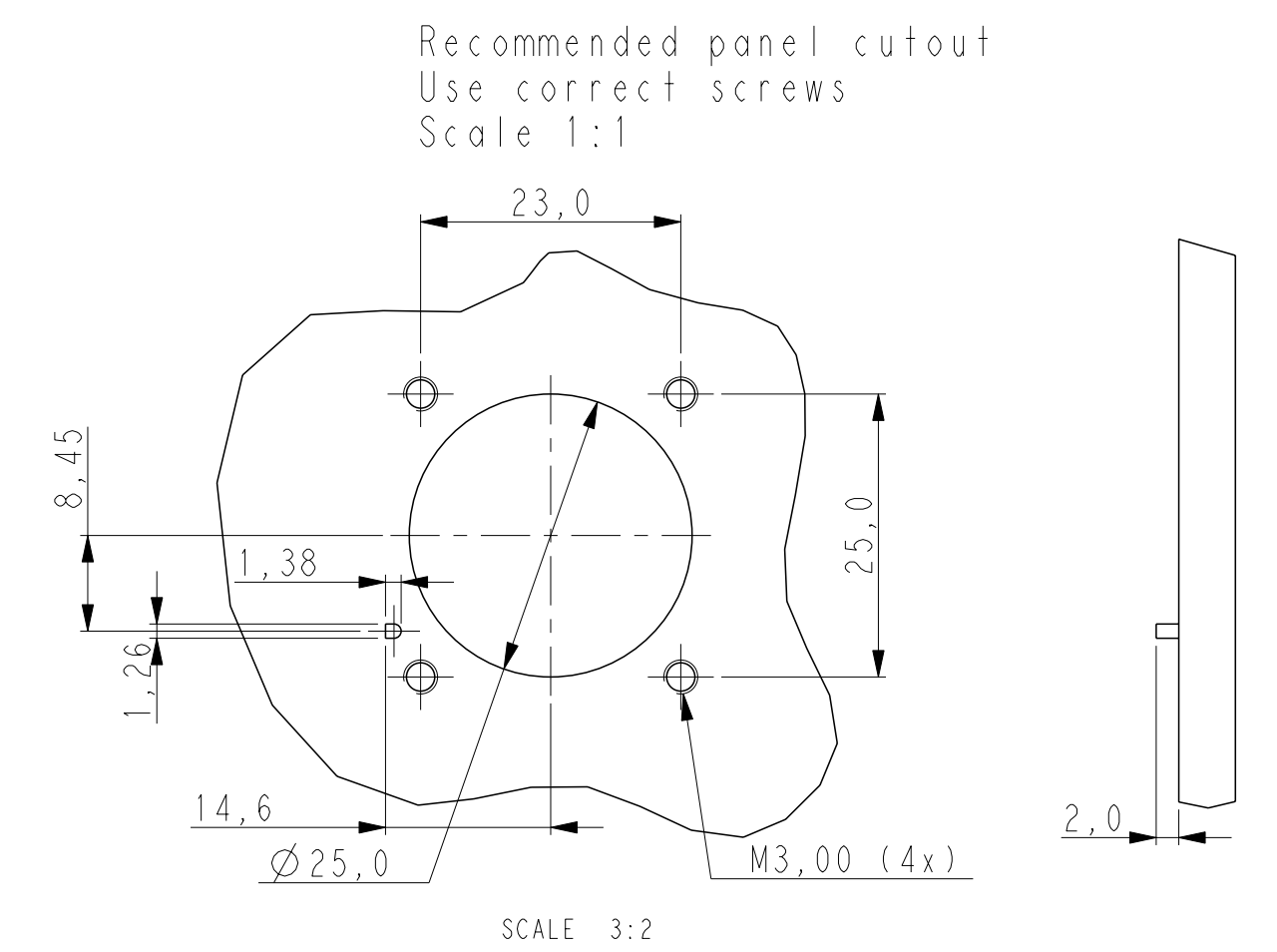
REVISIONS				
P	LTR	DESCRIPTION	DATE	APVD
C		ECR-18-012741(ADD 2061981-2)	09NOV2018	BW RS



2061981-1 AS SHOWN



2061981-2 AS SHOWN



QTY	QTY	Description	Item
1	-	FOAC FULLAXS MINI BULKHEAD, PLATED, IMPROVING	5
1	-	FOAC FULLAXS MINI FRONT SEAL	4
1	1	FOAC FULLAXS MINI D-RING	3
1	1	FOAC FULLAXS MINI PERIPHERAL SEAL	2
-	1	FOAC FULLAXS MINI BULKHEAD, PLATED	1

THIS DRAWING IS A CONTROLLED DOCUMENT. DWN R. COOLEN 24MAR2015
 CHK B. MOOIJ
 APVD S. BORGAS
 PRODUCT SPEC -
 APPLICATION SPEC -
 WEIGHT -

STE TE Connectivity

NAME FULLAXS MINI BULKHEAD

SIZE A2 CAGE CODE - DRAWING NO C-2061981 RESTRICTED TO -
 SCALE 1:1 SHEET 1 OF 1 REV C

CUSTOMER DRAWING