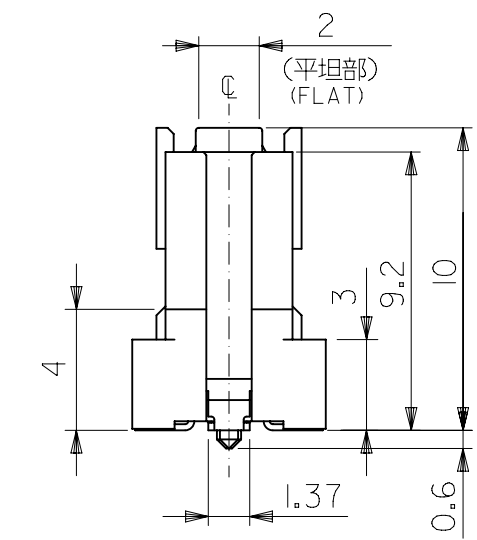


推奨基板寸法  
RECOMMENDED PCB PATTERN LAYOUT



ハウジングロック (表参照)  
HSG LOCK (SEE TABLE)

- 注) NOTES
- 材質 MATERIAL  
ハウジング : ガラス入りLCP、白色、UL94V-0  
HOUSING: G.F.LCP, WHITE, UL94V-0  
ターミナル : 銅合金 (t=0.2)  
TERMINAL: COPPER ALLOY
  - メッキ仕様 PLATING  
接点部 : 金メッキ 0.25 MICROMETER MIN.  
CONTACT AREA: GOLD 0.25 MICROMETER MIN.  
半田付け部 : 錫メッキ 1.0 MICROMETER MIN.  
SOLDER TAIL AREA: TIN 1.0 MICROMETER MIN.  
下地メッキ : ニッケルメッキ 2 MICROMETER MIN.  
UNDER-PLATING: NICKEL 2 MICROMETER MIN.
  - テールのバラツキ寸法 TAIL COPLANARITY  
テール平坦度は0.1 MAX.とする。  
TAIL COPLANARITY TO BE 0.1 MAX.
  - 本製品は 52837-\*\*\*0 の鉛フリー品である。  
THIS PRODUCT IS LEAD FREE OF 52837-\*\*\*0.

16 mm	53553-***77
14 mm	53551-***77
13 mm	53481-***77
11 mm	53475-***70
基板間寸法 STACKING HEIGHT	嵌合相手 TO BE MATED WITH 52837-***70 MODEL NO.

無し NO	61.42	59.82	56.515	65.02	---	---	52837-1870	180
	55.07	53.47	50.165	58.67	---	52837-1679	-1670	160
	48.72	47.12	43.815	52.32	---	---	-1470	140
	42.37	40.77	37.465	45.97	---	52837-1279	-1270	120
	32.85	31.25	27.94	36.45	---	---	-0970	90
	29.67	28.07	24.765	33.27	---	---	-0870	80
有り YES	26.5	24.9	21.59	30.1	---	---	-0770	70
	23.32	21.72	18.415	26.92	---	---	-0670	60
	20.15	18.55	15.24	23.75	---	---	-0570	50
	16.97	15.37	12.065	20.57	52837-0478	---	-0470	40
	10.62	9.02	5.715	14.22	---	---	52837-0270	20
ハウジングロック HSG LOCK	D	C	B	A	エンボス梱包 EMBOSSED PACKAGING	スティック梱包 STICK PACKAGING	製品番号 MATERIAL NO.	極数 CKT. NO.

GENERAL TOLERANCES (UNLESS SPECIFIED)		
0 OVER 10 UNDER	±0.2	
10 OVER 30 UNDER	±0.25	
30 OVER	±0.3	

THIS DRAWING CONTAINS INFORMATION THAT IS PROPRIETARY TO MOLEX ELECTRONIC TECHNOLOGIES, LLC AND SHOULD NOT BE USED WITHOUT WRITTEN PERMISSION

SCALE: DIMENSION UNITS: mm, NTS

GENERAL TOLERANCES (UNLESS SPECIFIED): 4 PLACES ±, 3 PLACES ±, 2 PLACES ±, 1 PLACE ±, 0 PLACES ±

ANGULAR TOL ± 3.0°

DRAFT WHERE APPLICABLE MUST REMAIN WITHIN DIMENSIONS

THIRD ANGLE PROJECTION

CURRENT REV DESC: EC NO: 620398, DRWN: AKUMAR19, 2018/12/25, CHK'D: GGA, 2019/10/18, APPR: GGA, 2019/10/18

INITIAL REVISION: DRWN: M.NINOMIYA, 2004/03/19, APPR: M.SASAO, 2004/03/19

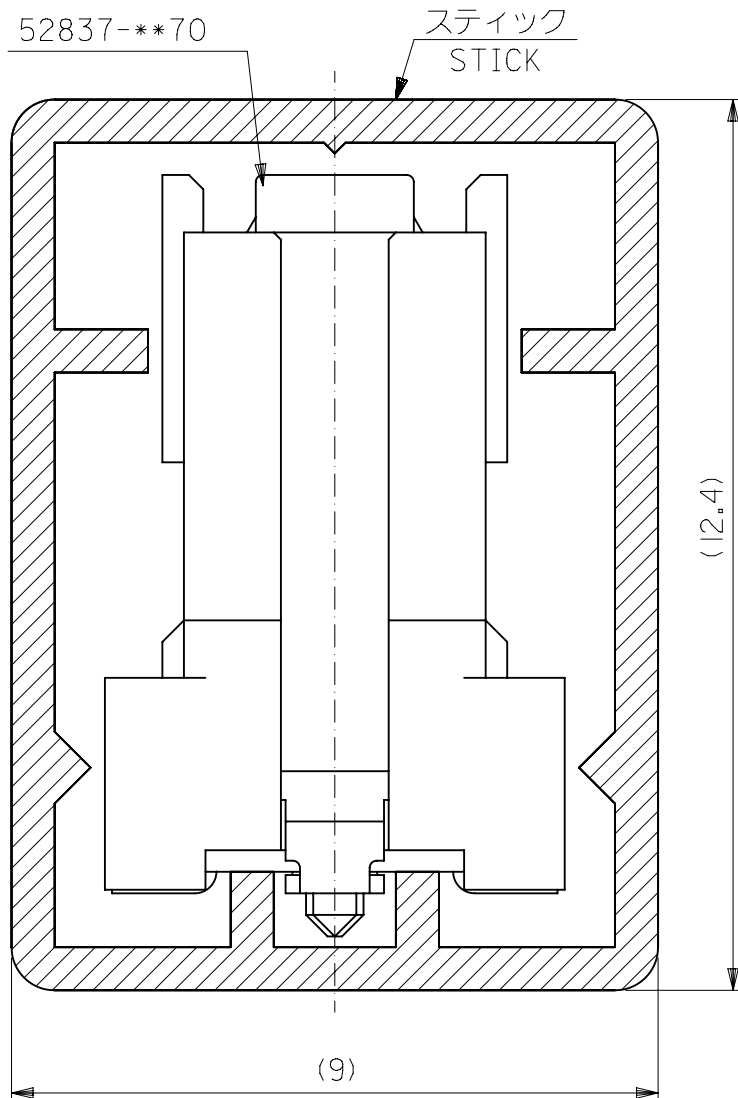
**molex**

0.635 PITCH B-TO-B S/T  
REC. HSG ASSY -LEAD FREE-

PRODUCT CUSTOMER DRAWING

DOCUMENT NUMBER: SD-52837-002, DOC TYPE: PSD, DOC PART: 001, REVISION: C

MATERIAL NUMBER: SEE TABLE, CUSTOMER: GENERAL MARKET, SHEET NUMBER: 1 OF 1



注)  
NOTES.

1. スティック両端はキャップ止め。  
BOTH ENDS WITH CAPS.
2. 全長:  $600 \pm 2$   
TOTAL LENGTH
3. 肉厚:  $0.6 \pm 0.2$   
THICKNESS
4. 本製品は 52837-\*\*\*9  
の鉛フリー品である。  
THIS PRODUCT IS LEAD FREE OF  
52837-\*\*\*9.

9	52837-1679	160
12	52837-1279	120
梱包数 QUANTITY	MATERIAL NO.	極数 NO. OF CKT.

THIS DRAWING CONTAINS INFORMATION THAT IS PROPRIETARY TO MOLEX ELECTRONIC TECHNOLOGIES, LLC AND SHOULD NOT BE USED WITHOUT WRITTEN PERMISSION

DIMENSION UNITS		SCALE		CURRENT REV DESC:	
mm		NTS			
GENERAL TOLERANCES (UNLESS SPECIFIED)				EC NO: 620398	
	MM	INCH		DRWN: AKUMAR19	2018/12/25
4 PLACES	$\pm 0.2$	$\pm$		CHK'D: GGA	2019/10/18
3 PLACES	$\pm 0.25$	$\pm$		APPR: GGA	2019/10/18
2 PLACES	$\pm 0.3$	$\pm$		INITIAL REVISION:	
1 PLACE	$\pm$	$\pm$		DRWN: N.NINOMIYA	2004/03/18
0 PLACES	$\pm$	$\pm$		APPR: M.SASAO	2004/03/18
ANGULAR TOL $\pm 3.0^\circ$				DRAFT WHERE APPLICABLE MUST REMAIN WITHIN DIMENSIONS	
		THIRD ANGLE PROJECTION		DRAWING	
				SERIES	
				A4-SIZE	
				52837	
DOCUMENT NUMBER		DOC TYPE		DOC PART	
SD-52837-004		PSD		001	
MATERIAL NUMBER		CUSTOMER		SHEET NUMBER	
SEE TABLE		GENERAL MARKET		1 OF 1	



52837-\*\*\*70  
STICK PACKAGING -LEAD FREE-

PRODUCT CUSTOMER DRAWING

DOCUMENT STATUS	P1	RELEASE DATE	2019/10/18	07:52:28
-----------------	----	--------------	------------	----------