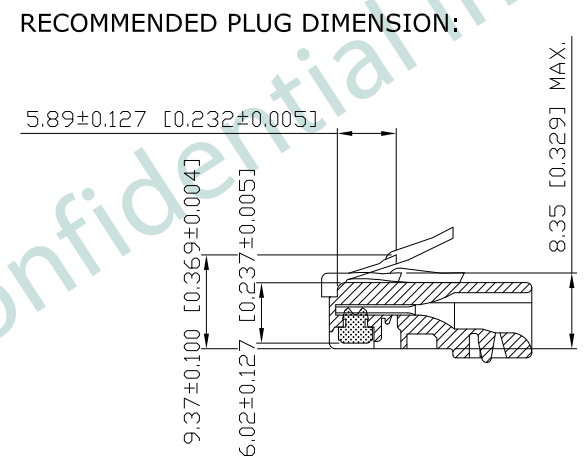
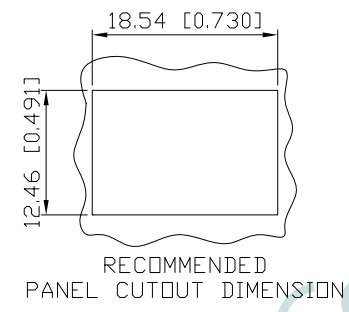
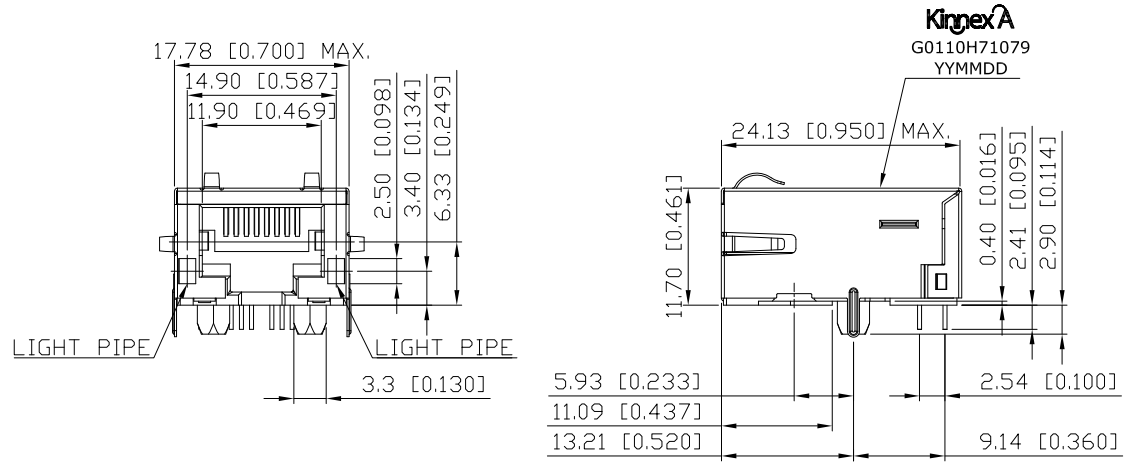


1. MECHANICAL DIMENSIONS :

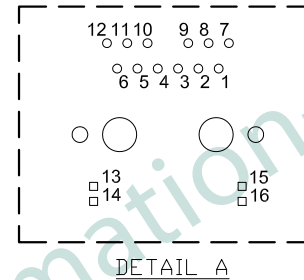
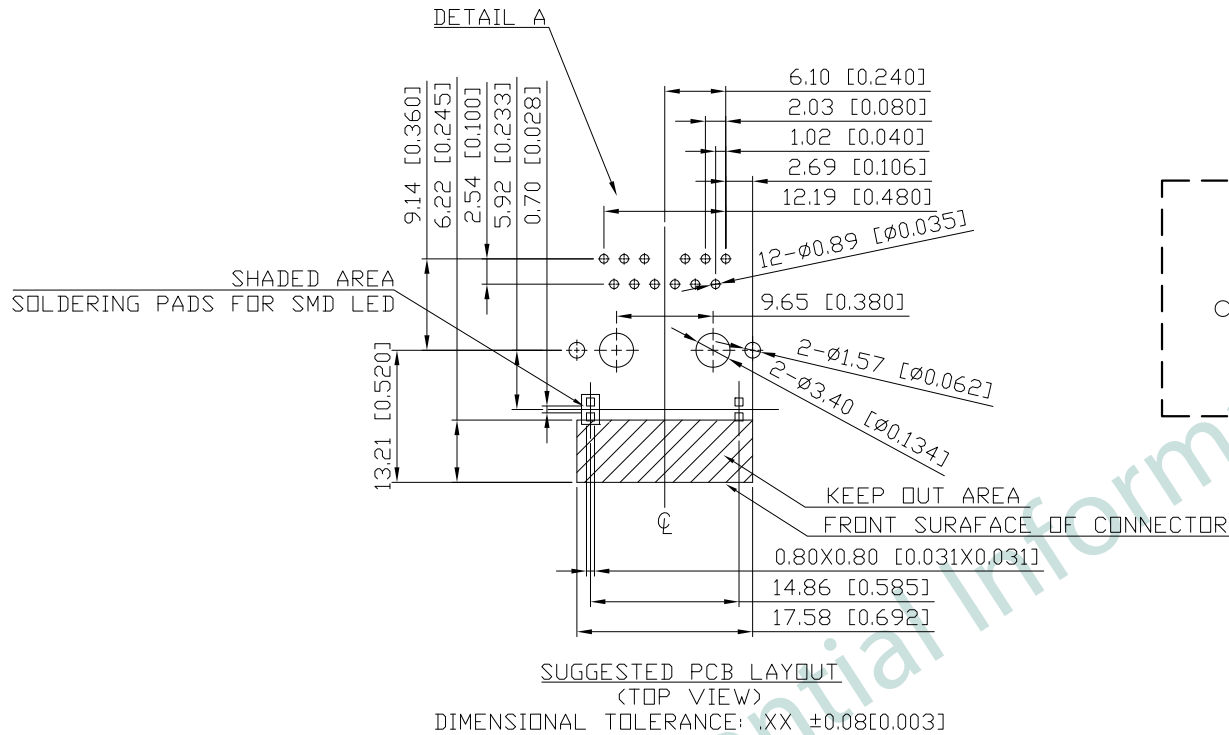
REV.	DATE	DESCRIPTION
01	Jan. 03, '18	1st RELEASE

- NOTES:
- MATERIAL:  
 HOUSING: HIGH THERMOPLASTIC, UL94V-0, BLACK  
 CONTACTS: T=0.35mm PHOS-BRONZE 6u" GOLD PLATING AND UNDERPLATED NICKEL ON ALL AREA  
 SOLDER PIN: COPPER 0.35X0.45mm, NICKEL PLATING, TIN PLATING ON ALL AREA  
 SHIELD: T=0.20mm COPPER ALLOY, NICKEL PLATING  
 LIGHT PIPE: POLYCARBONATE
  - OPERATING TEMPERATURE: -40°C~+85°C
  - INSERTION FORCE: 4 POUNDS MAX.  
 EXTRACTION FORCE: 4 POUNDS MAX.
  - DURABILITY: 750 MATING CYCLED MIN.
  - CAVITY CONFORMS TO FCC RULES AND REGULATIONS PART 68, SUBPART F.
  - UNSPECIFIED TOLERANCE: .XX ±0.25[0.010]  
 .X ±0.30[0.012]



PART NO		KRG-011-0-H71-079		
TITLE	RJ45, W/1G TRANSFORMER, W/LIGHT PIPE, SHIELDED			
REV : 01				
UNIT	DRAWN	CHKD	DATE	SHEET
mm[inch]	CINDY	DANIEL	Jan. 03, '18	1 of 5

2. PCB LAYOUT :



P#	DEFINITION
P1	CT
P2	MD(2)-
P3	MD(2)+
P4	MD(1)+
P5	MD(1)-
P6	CT
P7	CT
P8	MD(3)+
P9	MD(3)-
P10	MD(0)-
P11	MD(0)+
P12	CT
P13	LEFT LIGHT PIPE
P14	LEFT LIGHT PIPE
P15	RIGHT LIGHT PIPE
P16	RIGHT LIGHT PIPE

KRG-011-0-H71-079

PRODUCT SERIES  
KRG: LATCH DOWN WITH LED

MECHANICAL TYPE  
01: 1 PORT, LENGTH 24.13mm,  
HEIGHT=11.70mm, STRAIGHT PINS,  
PLASTIC PEG=GROUNDING=2.90mm,  
PIN=2.41mm

LED COLOR OPTION

SPECIAL CODE  
9: CUSTOMER SPECIAL REQUEST

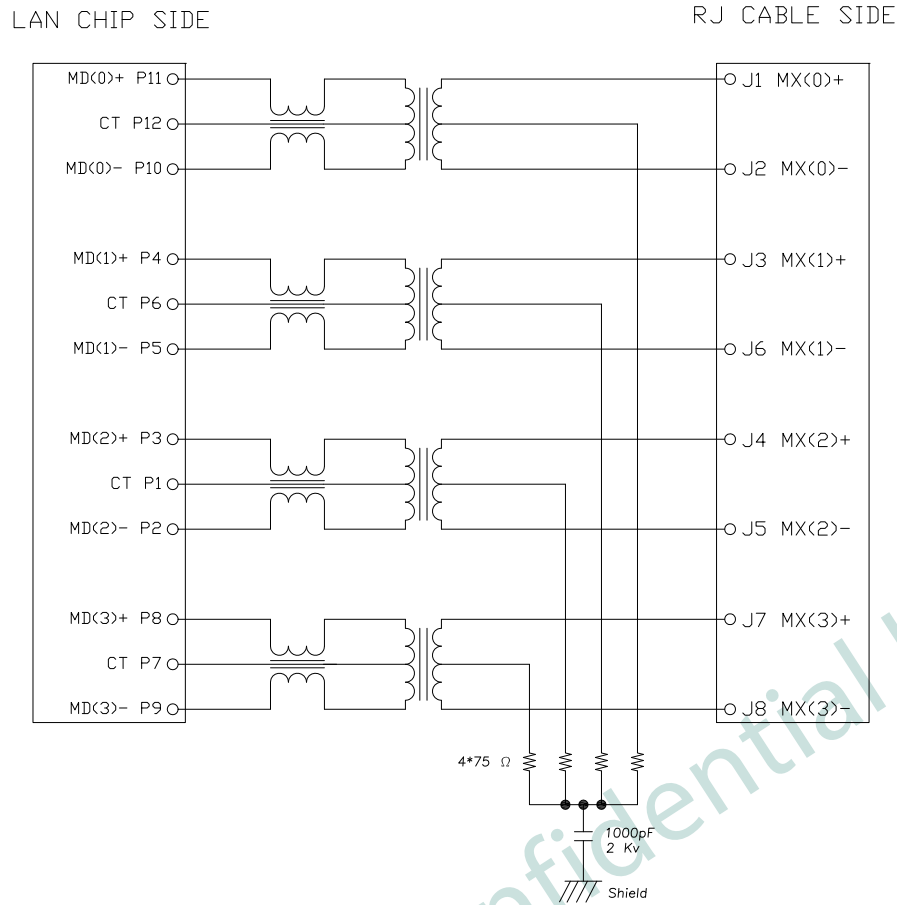
SHIELDED TYPE  
7: EMI FINGER ON ALL SIDE

LED POLARITY  
0: W/O LED

CIRCUIT TYPE

PART NO		KRG-011-0-H71-079		
TITLE	RJ45, W/1G TRANSFORMER, W/LIGHT PIPE, SHIELDED			
REV : 01				
UNIT	DRAWN	CHKD	DATE	SHEET
mm[inch]	CINDY	DANIEL	Jan. 03, '18	2 of 5

3. SCHEMATIC :



4. ELECTRICAL CHARACTERISTICS :

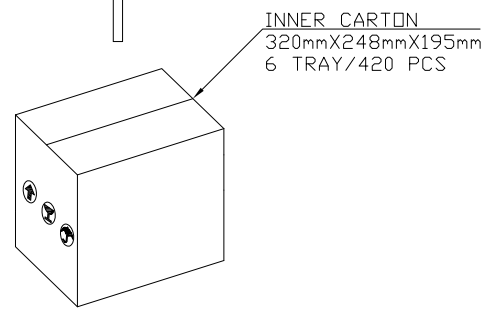
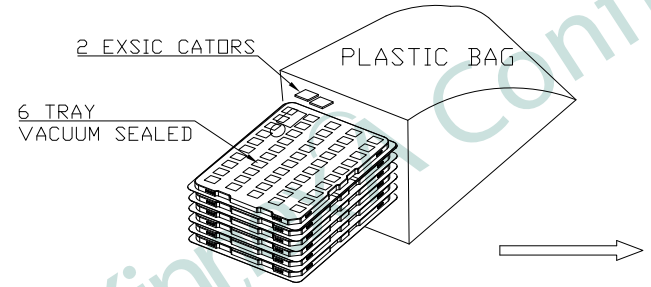
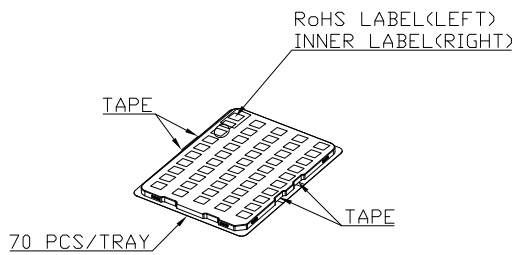
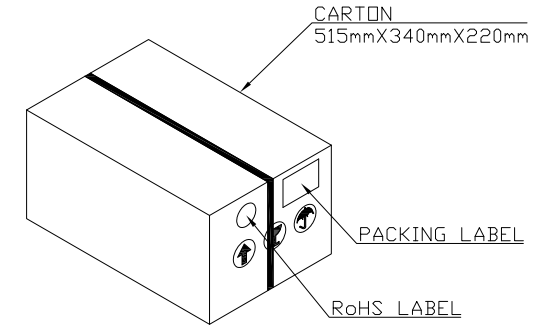
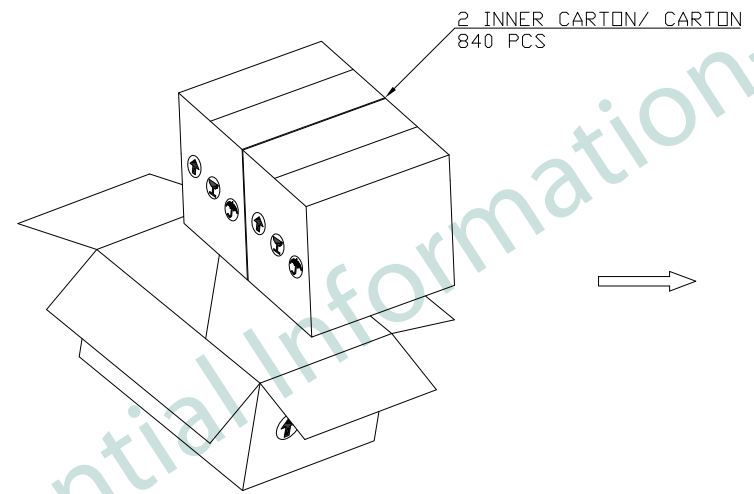
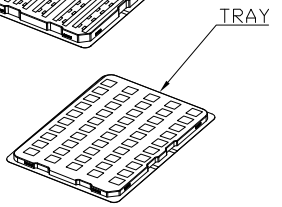
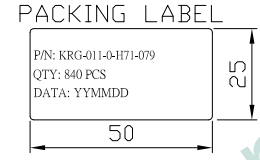
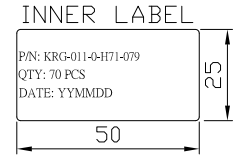
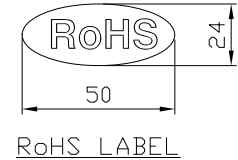
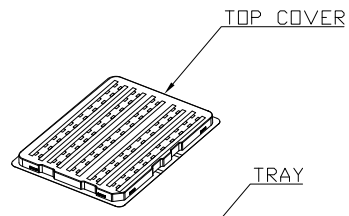
TEST NOTES:(25±5°C)

1. TR:  
INPUT TO OUTPUT=1:1±3%
2. LX:(100KHz,100mV,8mA, DC Bias)  
350uH MINIMUM
3. DCR:  
EVERY RJ PAIR=1.2 Ω MAXIMUM
4. HIPOT:  
INPUT(RJ SIDE) TO OUTPUT(LAN SIDE):  
1500 VAC/60SEC
5. INSERTION LOSS:  
-0.8dB MAXIMUM AT 0.3MHz TO 100MHz  
-1.2dB MAXIMUM AT 100MHz TO 125MHz
6. RETURN LOSS:  
-20dB MINIMUM AT 1MHz TO 10MHz  
-16dB MINIMUM AT 30MHz  
-12dB MINIMUM AT 60MHz TO 100MHz
7. CROSS TALK:  
-40dB MINIMUM AT 1MHz TO 10MHz  
-35dB MINIMUM AT 30MHz TO 60MHz  
-30dB MINIMUM AT 60MHz TO 100MHz
8. COMMON TO COMMON MODE REJECTION:  
-30dB MINIMUM AT 300KHz TO 100MHz

PART NO KRG-011-0-H71-079				
TITLE	RJ45, W/1G TRANSFORMER, W/LIGHT PIPE, SHIELDED			
REV : 01				
UNIT	DRAWN	CHKD	DATE	SHEET
mm[inch]	CINDY	DANIEL	Jan. 03, '18	3 of 5

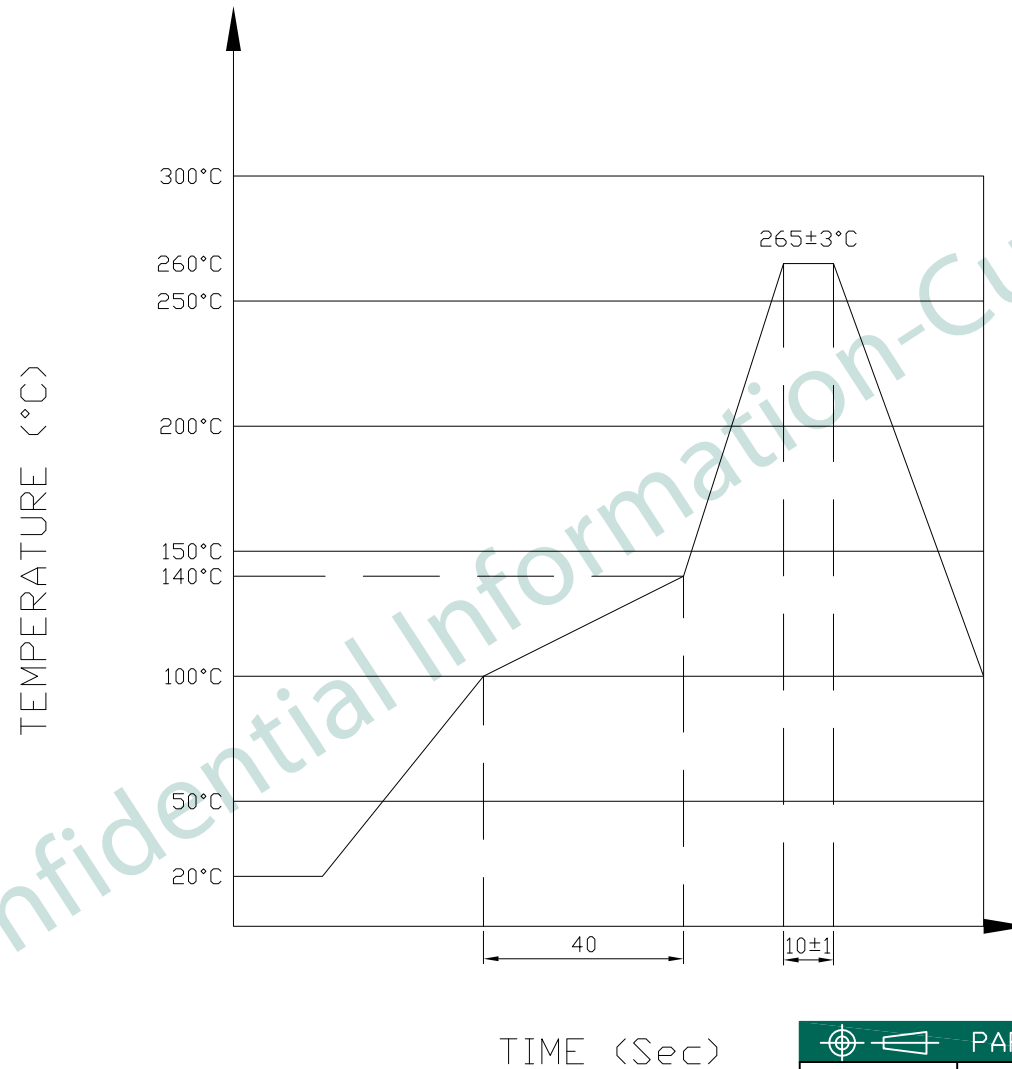
5. PACKING SPECIFICATION :

A  
B  
C  
D  
E  
F



PART NO		KRG-011-0-H71-079		
TITLE	RJ45, W/1G TRANSFORMER, W/LIGHT PIPE, SHIELDED			
REV : 01				
UNIT	DRAWN	CHKD	DATE	SHEET
mm[inch]	CINDY	DANIEL	Jan. 03, '18	4 of 5

6. PROFILE OF WAVE SOLDER :



The measuring point for the specified temperature shall be on the soldered part of the lead

PART NO KRG-011-0-H71-079				
TITLE	RJ45, W/1G TRANSFORMER, W/LIGHT PIPE, SHIELDED			
REV : 01				
UNIT	DRAWN	CHKD	DATE	SHEET
mm[inch]	CINDY	DANIEL	Jan. 03, '18	5 of 5