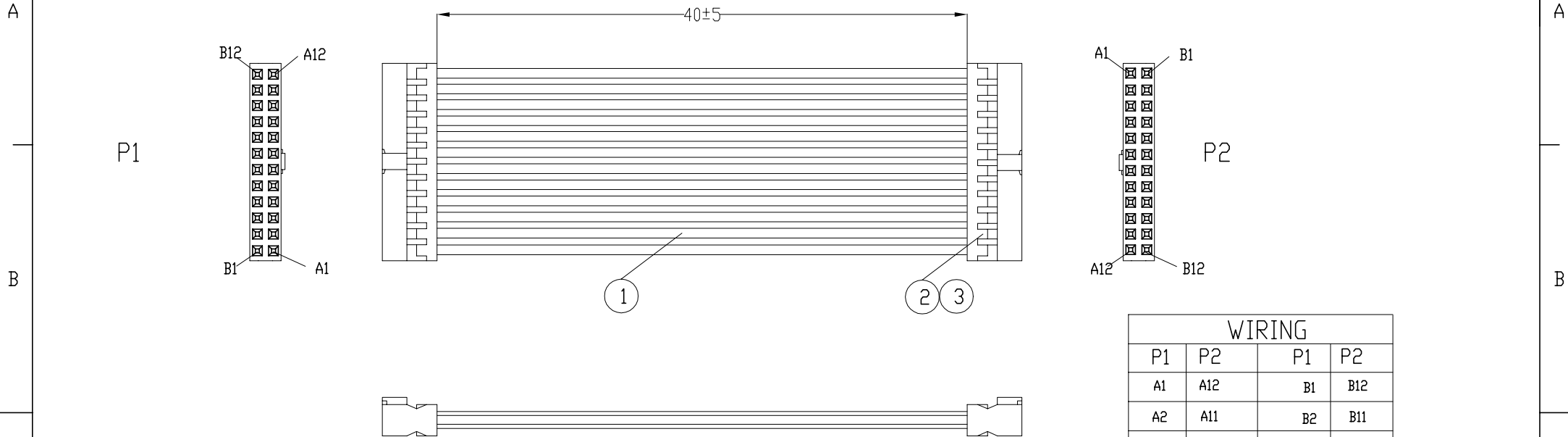


CUSTOMER P/N	FCI P/N	L (MM)
RPM 119 1225/1 P1A	10115391-P0004YYLF	40MM



WIRING			
P1	P2	P1	P2
A1	A12	B1	B12
A2	A11	B2	B11
A3	A10	B3	B10
⋮	⋮	⋮	⋮
A10	A3	B10	B3
A11	A2	B11	B2
A12	A1	B12	B1

NOTES:

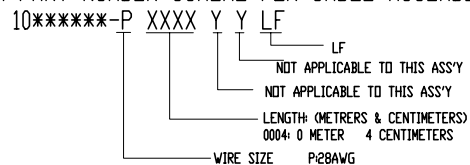
1.100% CONTINUITY TEST FOR OPEN, SHORT, ETC..

2.HI-POT TEST: DC 300V/10ms

CONNECTION RESISTANCE: 3 Ωhm MAX.

INSULATION RESISTANCE: 10M Ωhm MIN.

3. PART NUMBER SCHEME FOR CABLE ASSEMBLY:



4.ROHS COMPLIANCE

③	Terminal	48	PC
②	MINITEK CONNECTOR HOUSING 12X2	2	PC
①	UL1007 wire 28#(7/0.12) tinned copper black	AR	M
No.	DESCRIPTION	QTY	UNIT
www.fciconnect.com		TOLERANCES UNLESS OTHERWISE SPECIFIED	
Dr	Jack Yang	3/18/2010	ANGULAR
Eng	Jack Yang	3/18/2010	LINEAR
Chr	Jack Yang	3/18/2010	0° ±'
Appr	Jackson Wang	3/18/2010	Product family
surface - ✓ tolerance std - - projection		mm	
size A3		Scale 2:3	
ECN		Spec ref -	
FCI title Minitek FLAT Cable Ass'y		dwg no 10115391	Rev. A
catalog no -		CUSTOMER	sheet 1 of 1

rev	ecn no	dr	date
A	N10-0212	YJ	3/18/2010