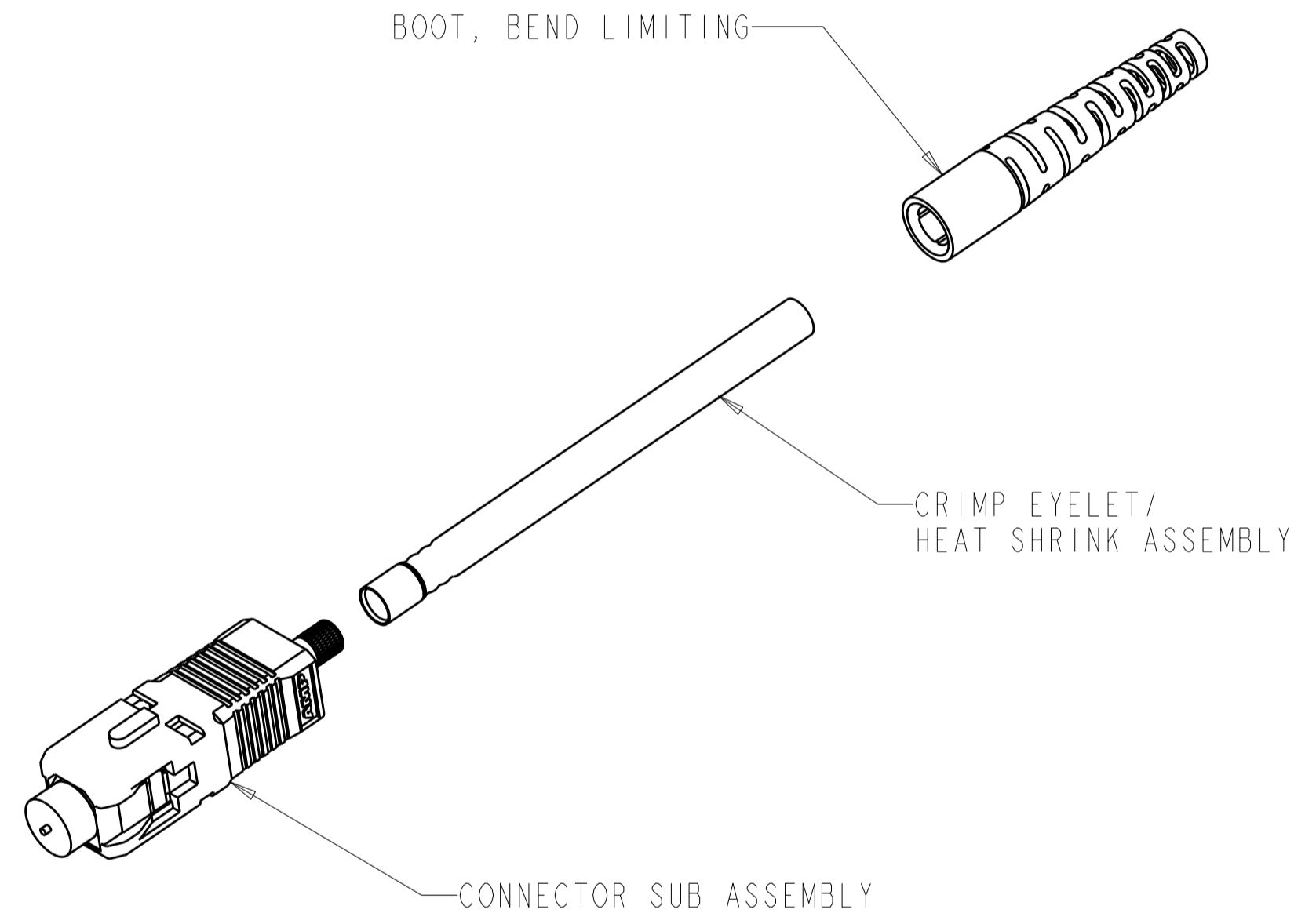
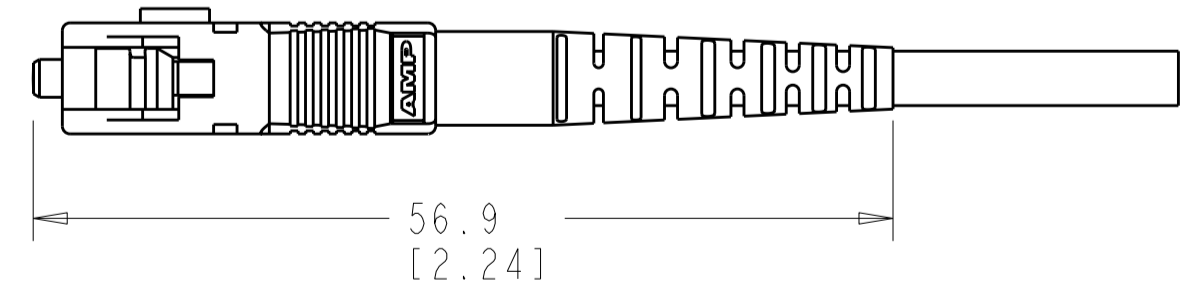
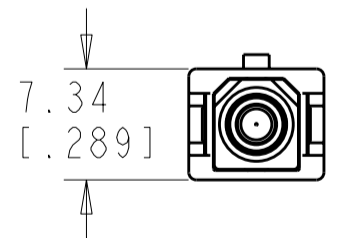
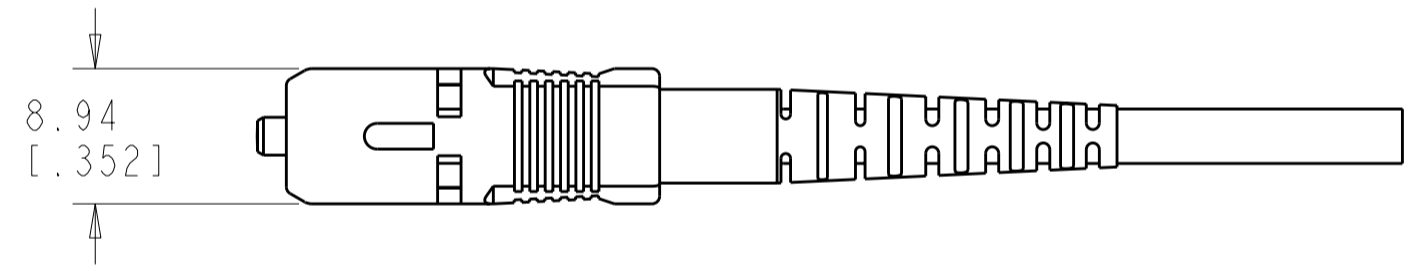


THIS DRAWING IS UNPUBLISHED. RELEASED FOR PUBLICATION 20  
 © COPYRIGHT 20 BY TYCO ELECTRONICS CORPORATION. ALL RIGHTS RESERVED.

LOC	DIST	REVISIONS			
P	LTR	DESCRIPTION	DATE	DWN	APVD
CE	00	A	ECO-07-017712	31JULY2007	DHR DHR
		-	-	-	-

1 MATERIAL: PROTECTIVE COVER: TPE, COLOR:BLACK, UL 94 HB. \*  
 FERRULE SUB ASSEMBLY: ZIRCONIA/METAL  
 COMPRESSION SPRING: STAINLESS STEEL.  
 CONNECTOR HOUSING: PBT, COLOR:BEIGE, UL 94 V-0. \*  
 PLUG BODY: PAS, COLOR: BEIGE, UL 94 V-0. \*  
 REAR BODY: METAL  
 BOOT: PP, COLOR:BEIGE, UL 94 V-0. \*  
 CRIMP EYELET/HEAT SHRINK ASSY: ALUM. ALLOY, HEAT SHRINK: POLYOLEFIN, UL VW-1.  
 \*RATED AT QUALIFYING THICKNESS.

2 BULK PACKAGED



1918154-2
1918154-1
PART NUMBER

THIS DRAWING IS A CONTROLLED DOCUMENT FOR TYCO ELECTRONICS CORPORATION IT IS SUBJECT TO CHANGE AND THE CONTROLLING ENGINEERING ORGANIZATION SHOULD BE CONTACTED FOR THE LATEST REVISION.		DWN E. HOPKINS 06 JAN 2005	Tyco Electronics Harrisburg, PA 17105-3608	
DIMENSIONS: mm [ INCHES ]		CHK D. ROHDE 06 JAN 2005	NAME CONNECTOR KIT, SC, SIMPLEX MM, JUMPER, TIGHT JACKET STYLE, 2.4mm	
TOLERANCES UNLESS OTHERWISE SPECIFIED:		APVD D. BAECHTLE 06 JAN 2005	PRODUCT SPEC	
0 PLC ± 1 PLC ±0.1/[0.004] 2 PLC ±0.01/[0.0004] 3 PLC ± 4 PLC ±		APPLICATION SPEC		
MATERIAL		WEIGHT		
FINISH		SCALE 3:1		
1		SHEET 1 OF 1		
CUSTOMER DRAWING		REV A		