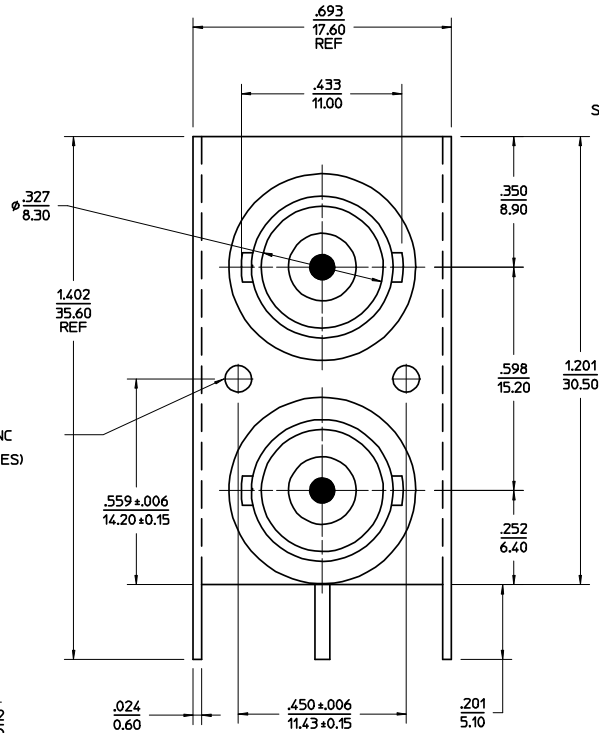
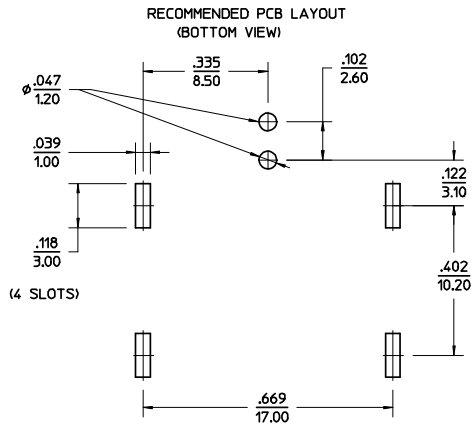
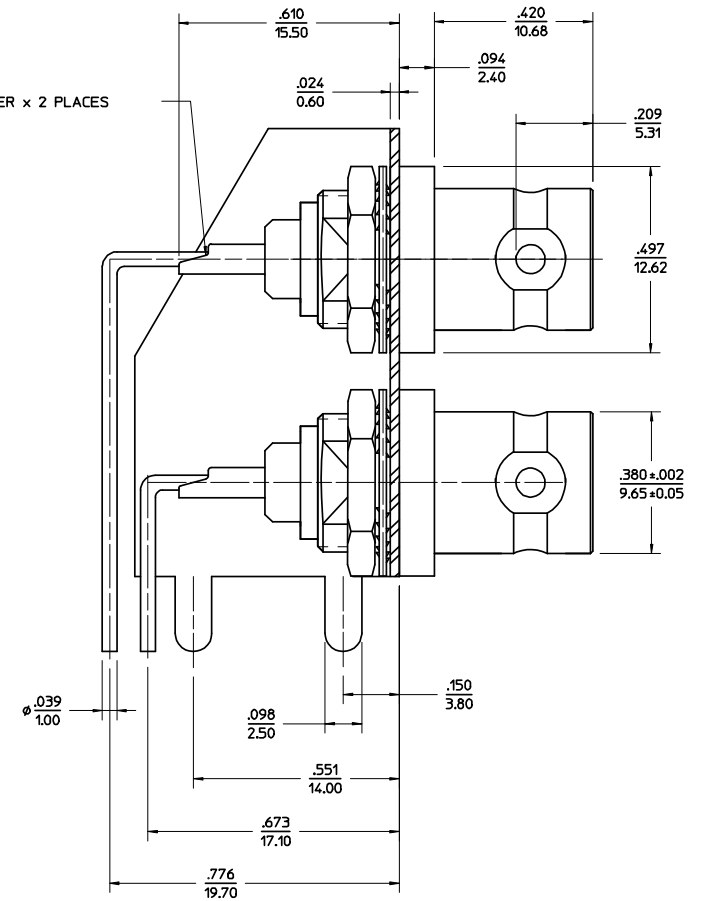


MATERIALS AND FINISHES

- J BODY BRASS  
PLATED NICKEL
- I CENTER CONTACT PHOSPHOR BRONZE  
PLATED GOLD
- H INSULATOR P.P
- G LOCK WASHER PHOSPHOR BRONZE  
PLATED NICKEL
- F NUT BRASS  
PLATED NICKEL
- E BRACKET SPCC  
PLATED NICKEL
- D GROUNDING COPPER OVER STEEL WIRE  
PLATED TIN



SOLDER x 2 PLACES



PART #: 73415-2980  
PACKAGING: TRAYS

PART#: 73415-2981  
PACKAGING: 1 PC 73415-2980 PER BAG

CHG:  $\phi 12.62$  WAS  
 $\phi 12.70$ .

EC NO: URF2009-0015  
DRAWN: ARBERTSON 2008/07/10  
CHKD: SSS 2008/07/10  
APPR: JMEINER 2008/07/10

REV	DESCRIPTION
E3	

QUALITY SYMBOLS	GENERAL TOLERANCES (UNLESS SPECIFIED)	
	mm	INCH
$\nabla=0$	4 PLACES ± ---	± ---
$\nabla=0$	3 PLACES ± ---	± ---
	2 PLACES ± ---	± ---
	1 PLACE ± ---	± ---
	ANGULAR ±1/2°	

DIMENSION STYLE	
IN	MM
DRAWN BY	DATE
CLAIRE LI	2001/04/16
CHECKED BY	DATE
APPROVED BY	DATE
	2001/03/14

SCALE	DESIGN UNITS	THIRD ANGLE PROJECTION
---	INCH	
<b>molex</b> MOLEX INCORPORATED		
MATERIAL NO.	DOCUMENT NO.	SHEET NO.
SEE TABLE	SD-73415-298	1 OF 1
THIS DRAWING CONTAINS INFORMATION THAT IS PROPRIETARY TO MOLEX INCORPORATED AND SHOULD NOT BE USED WITHOUT WRITTEN PERMISSION		