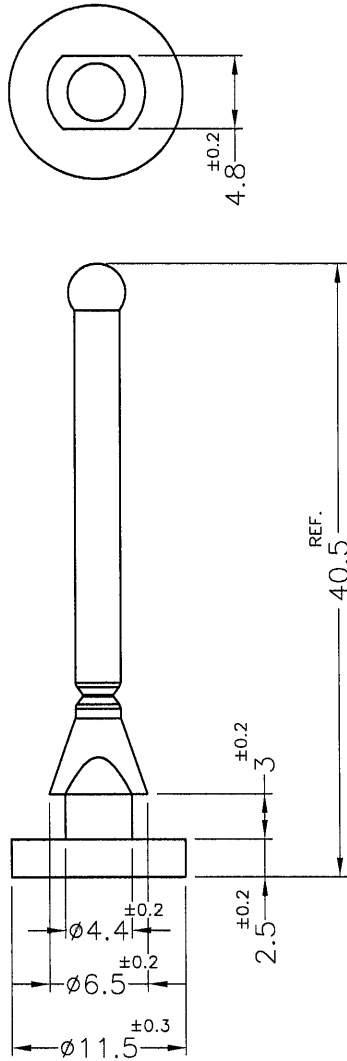


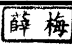
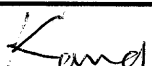
REVISIONS			
REV	DESCRIPTION	DATE	BY



PART NO.	COLOR
BUB-124G(B)	BLACK
BUB-124G(G)	GRAY
BUB-124G(G1)	GRAY(PANTONE 429U)
BUB-124G(Y)	YELLOW
BUB-124G(GR)	GREEN

NOTE:1. SHRINKING IS NORMAL STATUS.
 內縮為正常現象.
 2. MADE OF EQUIVALENT MATERIAL.
 均可使用同等材質.


 康揚企業股份有限公司
 KANG YANG HARDWARE ENTERPRISE CO., LTD.
 康揚塑膠(東莞)有限公司
 KANG YANG PLASTIC(DONG GUAN) CO., LTD.
 康哲電腦配件(吳江)有限公司
 KANG CHE COMPUTER COMPONENTS(WUJIANG) CO., LTD.

TITLE	FAN SNAP RIVET	SPEC. DWG.
MATERIAL	TPE	DATE 2011.04.01
HARDNESS		DRAWN SAI
COLOR	SEE ABOVE	CHECK 
PART NUMBER	SEE ABOVE	APPROVED 
DRAWING NUMBER	BUB-124	
SIZE	A4	
SCALE	2:1	
UNIT	mm	
REV	B	
UNLESS OTHERWISE SPECIFIED TOLERANCE	SEE ABOVE	