

Connector Catalog Number Matrix

Below is an example of a properly constructed Connector part number and how it translates to an actual part.

113020A01F2001

Mini-Change® 3 Pole Female Straight to Male Straight Double-Ended Cordset with 20' of 16 AWG, ST00W-A, U.S. Color Code, Stainless Steel Coupling Nut

1 1 3 0 2 0 A 0 1 F 2 0 0 1

LENGTH	
1st Digit	10 X Length
2nd Digit	1 X Length
3rd Digit	.1 X Length

UNIT OF MEASURE	
F	Feet

CABLE TYPE	
A01	16 AWG Type ST00W U.S. Color Code 2P-12P
A02	16 AWG Type ST00W AUTO Color Code 3P&5P
A03	18 AWG PVC Jacket AUTO Color Code 3P-5P
A05	18 AWG PVC Jacket IEC DC Color Code 3P&4P
A06	18 AWG PVC Jacket IEC AC Color Code 3P
A07	20 AWG PVC Jacket IEC AC Color Code 5P
B13	18 AWG PUR Coil Cord AUTO Color Code 3P&5P
C01	16 AWG Type SOO AUTO Color Code 3P-5P
K02	18 AWG TPE Jacket AUTO Color Code 3P&5P

CONNECTOR TYPE	
Single-Ended Cordset	
000	Female Straight
001	Female 90°
002	Male Straight
003	Male 90°
Double-Ended Cordset	
020	Female Straight - Male Straight
021	Female 90° - Male Straight
022	Female Straight - Male 90°
023	Female 90° - Male 90°

NUMBER OF POLES	
X	X Pole: 2 to 9 Pole
1	10 Pole C-size only
2	12 Pole C-size only

PRODUCT FAMILY (2 characters)	
1 st Character	
1	2 to 6 Pole 1" Coupler A-size
2	6 to 8 Pole 1½" Coupler B-size
3	9, 10, 12 Pole 1¼" Coupler C-size
2 nd Character	
0	Single-Ended Cordset A, B & C sizes
1	Double-Ended Cordset A-size
2	Double-Ended Cordset B-size
3	Double-Ended Cordset C-size

COUPLING NUT	
Blank	Zinc Diecast, epoxy coat
1	Stainless Steel, Type 303
2	Non-Metallic Nylon 6/6 (2P - 6P, A-size only)



Top Mount, Single Keyway with Mini-Change® Home Run Connector

Connectorized home run cable connector version for maximum flexibility
Flexibility with 4 and 8 port configurations
PNP and NPN versions for use with a variety of DC sensors

NEW	4 Port	8 Port
HOME RUN CONNECTOR MALE FACE VIEW		
HOME RUN CONNECTOR PINOUTS	1- port #1 load 2- port #2 load 3- port #3 load 4- port #4 load 5- n/c 6- n/c	7- n/c 8- n/c 9- gnd 10- V+ 11- V- 12- n/c
		1- port #1 load 2- port #2 load 3- port #3 load 4- port #4 load 5- port #5 load 6- port #6 load
		7- port #7 load 8- port #8 load 9- gnd 10- V+ 11- V- 12- n/c

FUNCTIONAL WIRING	MPIS SINGLE KEYWAY WITH HOME RUN CONNECTOR			
	FIG		FIG	
PNP SCHEMATIC, FIG 1 	3	BTY401P-FBB	4	BTY801P-FBB
NPN SCHEMATIC, FIG 2 	3	BTY401N-FBB	4	BTY801N-FBB

90° FEMALE SINGLE- ENDED HOME RUN CABLE PVC JACKET & #16 AWG CONDUCTORS				
	FIG		FIG	
HOME RUN CABLE 5M	5	302101A04M050	6	302101A04M050
HOME RUN CABLE 10M	5	302101A04M100	6	302101A04M100
FEMALE 90°/MALE HOME RUN CABLE EXTENSION PVC JACKET & #16 AWG CONDUCTORS				
HOME RUN CABLE 5M	6	332121A04M050	5	332121A04M050
HOME RUN CABLE 10M	6	332121A04M100	5	332121A04M100
FEMALE RECEPTACLE WITH #18 AWG PVC 12" LEADS TO ACCEPT HOME RUN CABLE EXTENSION				
FEMALE RECEPTACLE	7	3R2104A16A120	7	3R2104A16A120

*Use 4P/3W male single keyway, Micro Change™ cordsets page 94 or female/male cordsets page 96 to connect to those MPIS ports

Specifications



HOME RUN CONNECTOR CABLING

MECHANICAL

INSERT: PA
 HOUSING: GLASS-FILLED PBT
 RECEPTACLE HOUSING: NICKEL-PLATED BRASS
 ID LABEL: ABS

YELLOW, PVC CABLE JACKET, #18 AWG AND #22 AWG CABLING AND PVC CONDUCTOR INSULATION OVER 41 X #34 (#18 AWG) AND 26 X #36 (#22 AWG) COPPER STRANDING, UL LISTED VW-1 STYLE 2661, CSA CERTIFIED AWM CLASS II GROUP A/B FT1 105°C, 600 V

OUTSIDE DIAMETER: 0.71" (18.0mm)

ELECTRICAL

VOLTAGE RATING: 10-30V DC
 AMPERAGE: 4A PER PORT, 12A TOTAL PER MPIS UNIT

INDICATING LIGHTS:

GREEN LED-POWER, YELLOW LED-FUNCTION

AVERAGE LED EXPECTANCY: 100,000 HOURS

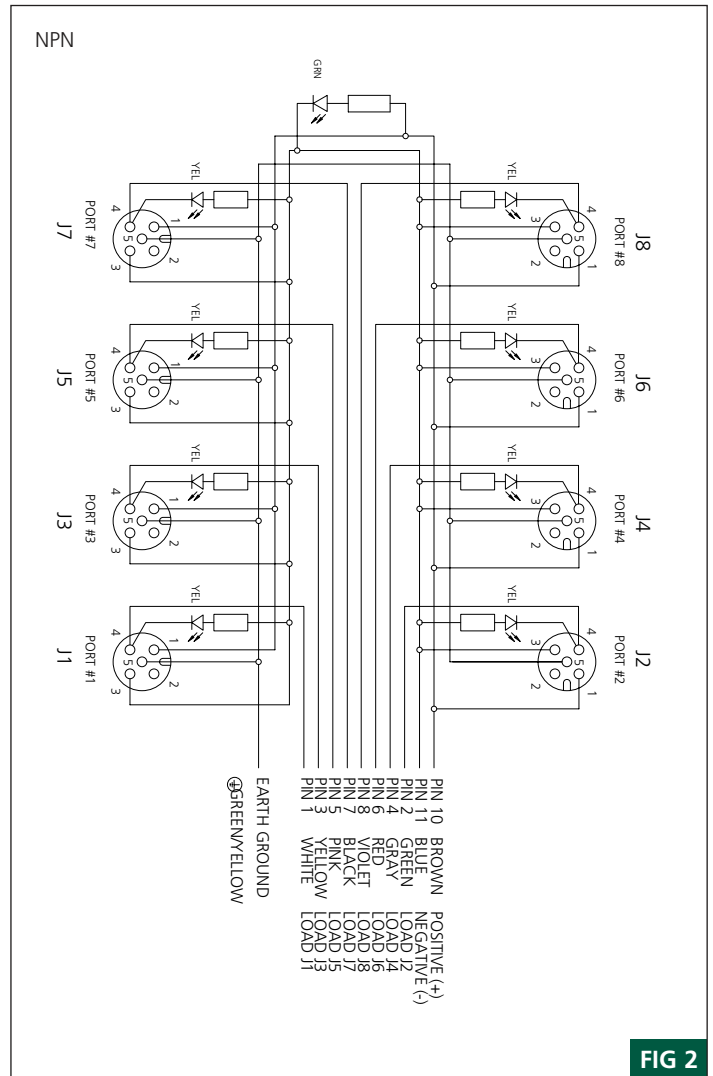
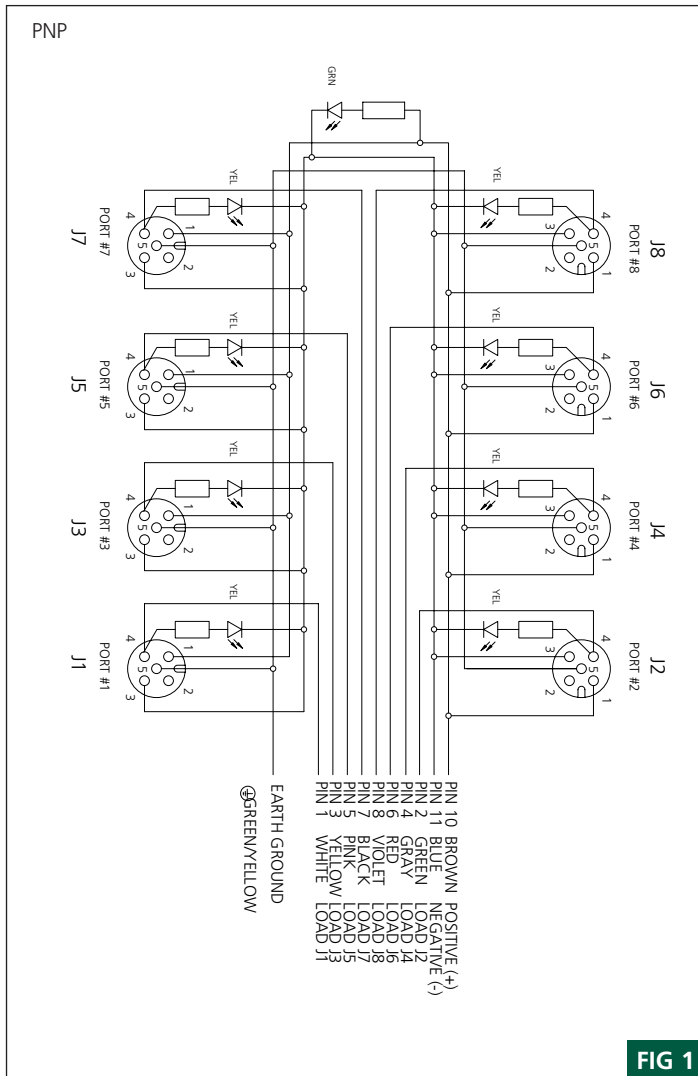
ENVIRONMENTAL PROTECTION: IP68, NEMA 6P

AMBIENT OPERATING TEMPERATURE: -13°F TO 194°F (-25° C TO 90°C)

CERTIFICATIONS

UL: UL RECOGNIZED, FILE NO. E46237
 CSA: CSA CERTIFIED, FILE NO. LR6837

SCHEMATICS



Cable Code Chart

Catalog-Listed Cables

	COLOR ROTATION	WIRE GAUGE	#OF CONDUCTOR	VOLTAGE RATING	OUTER JACKET MATERIAL	CONDUCTOR INSULATION	STRANDING	TEMP RATING °C	UL TYPE	BRAD CABLE CODE
MINI-CHANGE	STANDARD COLOR CODE	16	2,3,4,5,6,7,8,9,10,12	600V	PVC	PVC	65 X #34	105	STOOW	A01
	AUTO COLOR CODE	16	3,5	600V	PVC	PVC	65 X #34	105	STOOW	A02
	AUTO COLOR CODE	18	2,3,4,5	300V	PVC	PVC	41 X #34	105	2661	A03
	DC COLOR CODE	18/22	6,8,10,11	300V	PVC	PVC	26 X #36 41 X #34	105	2661	A04
	DC COLOR CODE	18	3,4,5	600V	PVC	PVC	41 X #34	105	2661	A05
	INT'L/AC COLOR CODE	18	3	300V	PVC	PVC	41 X #34	105	2661	A06
	INT'L/AC COLOR CODE	20	5	300V	PVC	PVC	28 X 0.15mm	80	NO	A07 B13
	AUTO COLOR CODE	16	2,3,4,5	600V	NBR/PVC	HYPALON	65 X #34	90	S00	C01
STD COLOR CODE	16	2,3,4,5	600V	CPE	EPR	65 X #34	—	SOW	C10	
MICRO-CHANGE	AUTO COLOR CODE	18	2,3,4,5	300V	PVC	PVC	41 X #34	105	2661	A03
	DC COLOR CODE	18	3,4,5	600V	PVC	PVC	41 X #34	105	2661	A05
	DC COLOR CODE	22	3,4,5	300V	PVC	PVC	26 X #36	90	2661	A09
	INT'L/AC COLOR CODE	22	3,4	300V	PVC	PVC	26 X #36	80	NO	A11
	AUTO COLOR CODE	18	2,3,4,5	300V	PUR	PVC	26 X #36	80	20233	B01
	DC COLOR CODE	18	3,4	300V	PUR	PVC	26 X #36	80	20233	B02
	DC COLOR CODE	22	3	300V	PUR	PVC	26 X #36	80	20233	B10
	DC COLOR CODE	22	4	300V	PUR	Polyprop	26 x #36	80	20197	B11
	DC COLOR CODE	18	4	300V	PUR	Polyprop	168 X #40	80	20197	B12
	AUTO COLOR CODE	18	3,5	300V	PUR	Polyprop	168 X #40	80	20197	B13
	DC COLOR CODE	18	3,4	300V	CPE	EPDM	41 X #34	105	SJOOW	C02
	DC COLOR CODE	22	3,4,5	300V	PVC	PVC	26 X #36	105	2661	D01
	AUTO COLOR CODE	22	2,3,4,5,6	300V	PVC	PVC	16 X #36	105	2661	D02
	DC COLOR CODE	22	3,4,5	300V	PVC	PVC	26 X #36	80	2661	D04
	AUTO COLOR CODE	22	2,3,4,5,6	300V	PVC	PVC	26 X #36	105	2661	D05
	AUTO COLOR CODE	18	—	300V	TPE	PVC	41 X #34	80	20626	K02
DC COLOR CODE	18	—	300V	TPE	PVC	41 X #34	80	20626	K03	
NANO-CHANGE	DC COLOR CODE	24	3,4,5	300V	PVC	PVC	19 X #38	105	2661	A10
	DC COLOR CODE	24	3,4,5	300V	PUR	PVC	128 X #44	80	20233	B09
QUICK-CHANGE	STD COLOR CODE	14	2,3,4	600V	CPE	EPR	41 X #30	105	SOW	C05
	STD COLOR CODE	12	2,3,4	600V	CPE	EPR	65 X #30	105	SOW	C06
	STD COLOR CODE	10	2,3,4	600V	CPE	EPR	105 X #30	105	SOW	C07
DIN	INT'L/AC COLOR CODE	18	—	300V	PVC	PVC	21 X #32	80	—	A23
	INT'L/AC COLOR CODE	20	—	300V	PVC	PVC	15 X #32	80	—	E12
	INT'L/AC COLOR CODE	20	—	300V	PUR	PVC	15 X #32	80	—	P12
	INT'L/AC COLOR CODE	18	18, 11,10mm	300V	PVC	PVC	21 X #32	80	—	N
	INT'L/AC COLOR CODE	20	9.4 AND 8mm	300V	PVC	PVC	15 X #32	80	—	N
	INT'L/AC COLOR CODE	20	—	300V	PUR	PVC	15 X #32	80	—	T