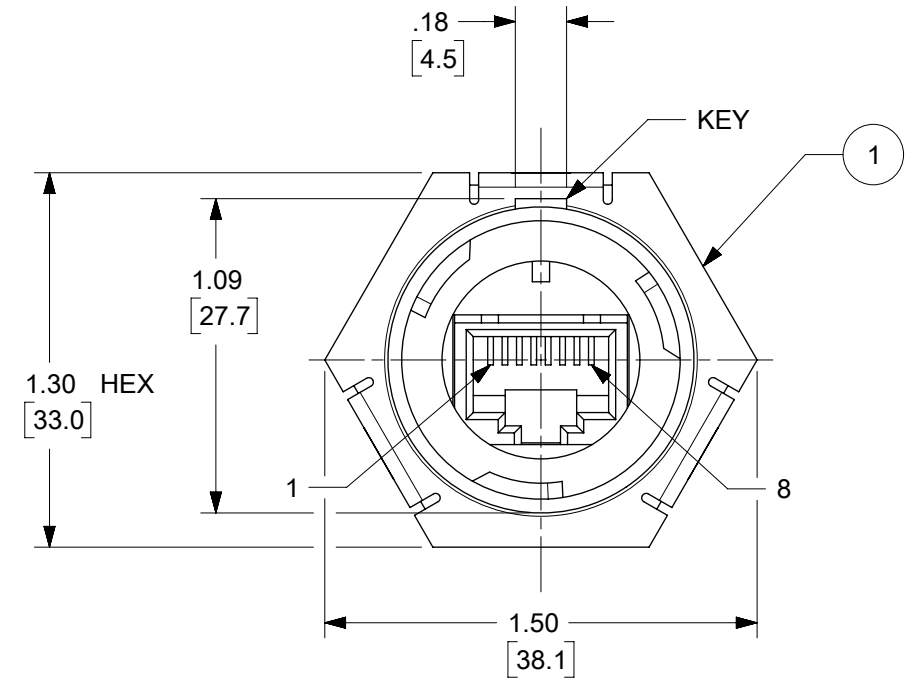
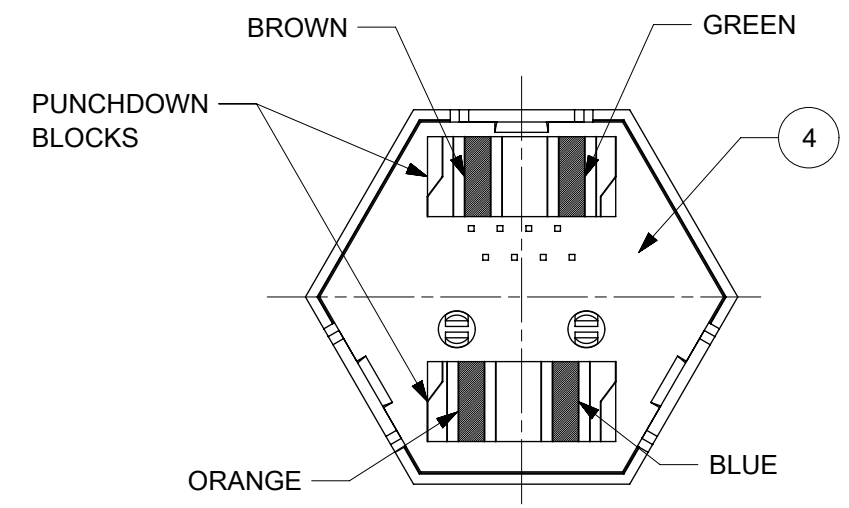
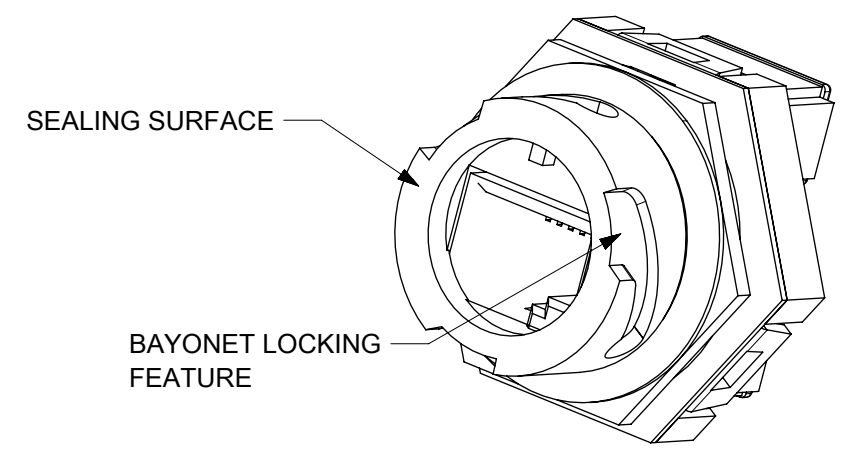
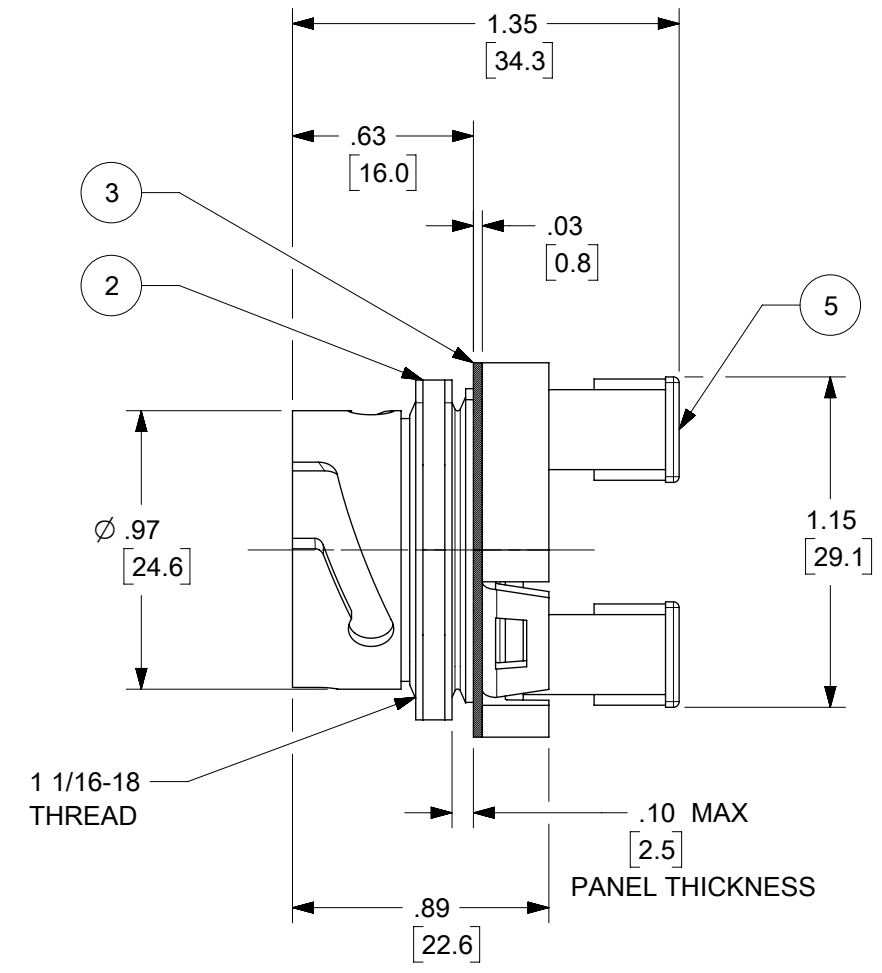


- NOTES:
1. MATERIAL: SEE BOM TABLE
 2. MATERIAL: SEE BOM TABLE
 3. ELECTRICAL SPECS: 125V, 1.5A
 4. WIRING POLARIZATION PER TIA/EIA 568B
 5. COMPATIBLE WITH SOLID OR STRANDED CONDUCTORS
 6. CONDUCTOR RANGE: 22-26AWG WITH LIMITING OD OF .055 IN.
 7. DIMS SHOWN ARE FOR REFERENCE UNLESS NOTED OR TOLERANCED OTHERWISE

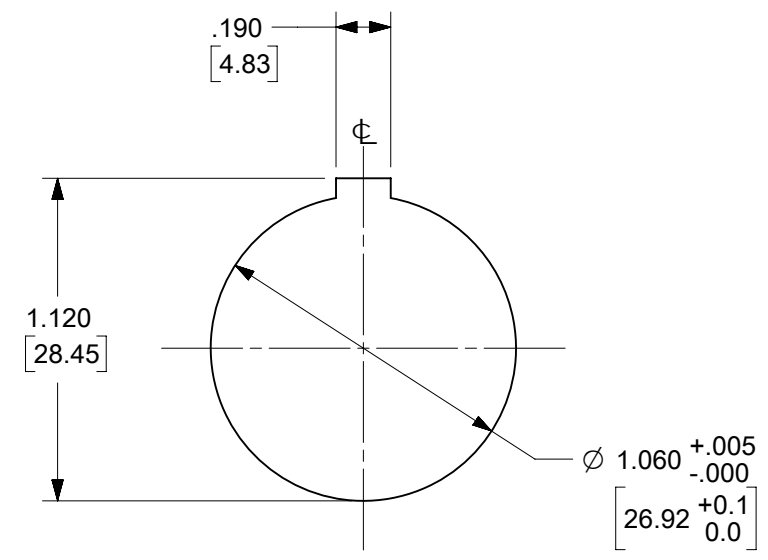
(G)



RECEPTACLE FACE VIEW
PANEL NUT & GASKET
NOT SHOWN



RECEPTACLE BACK VIEW
STUFFER CAPS NOT SHOWN



REF. PANEL HOLE

5	STUFFER CAP	POLYESTER	WHITE
4	RJ45 PCB SUB-ASSY.	FR4	GREEN
3	PANEL GASKET	NEOPRENE	BLACK
2	PANEL NUT	NYLON	BLACK
1	RECEPTACLE HOUSING	PBT	BLACK
ITEM	DESCRIPTION	MATERIAL	FINISH

THIS DRAWING CONTAINS INFORMATION THAT IS PROPRIETARY TO MOLEX ELECTRONIC TECHNOLOGIES, LLC AND SHOULD NOT BE USED WITHOUT WRITTEN PERMISSION											
FUNCTIONAL SYMBOLS		DIMENSION UNITS		SCALE		CURRENT REV DESC: REDRAWN TO NX, UPDATE NOTES					
FA = 0		INCH/MM		1.5:1		<p>molex</p> <p>PANEL MOUNT RECEPTACLE RJ-45 PUNCHDOWN INDUSTRIAL ETHERNET</p> <p>PRODUCT CUSTOMER DRAWING</p> <p>DOCUMENT NUMBER: SD-84702-004 DOC TYPE: PSD DOC PART: 001 REVISION: G</p> <p>MATERIAL NUMBER: 847020006 CUSTOMER: GENERAL MARKET SHEET NUMBER: 1 OF 1</p>					
FE = 0		GENERAL TOLERANCES (UNLESS SPECIFIED)									
FD = 0		MM		INCH							
DIVISIONAL SYMBOLS		4 PLACES ±		±							
		3 PLACES ±		±							
		2 PLACES ±		±							
		1 PLACE ±		±							
		0 PLACES ±		±							
		ANGULAR TOL ± °		°							
DRAFT WHERE APPLICABLE MUST REMAIN WITHIN DIMENSIONS				THIRD ANGLE PROJECTION		DRAWING: B-SIZE		SERIES: 84702		DATE: 2021/08/17	