

**Materials**

- 1. C3604 brass, nickel plated
- 2. C2680 brass, nickel plated
- 3. C2680 brass, nickel plated
- 4. C3604 brass, nickel plated
- 5. POM, white
- 6. SK4 steel, nickel plated

**Electrical requirements**

Dielectric strength: 1 min @ 500 Vac and 2mA  
 Insulation resistance: 100 MΩ @ 100 Vdc  
 Contact resistance: 50 mΩ or less

**Mechanical requirements**

Durability: 5000 mating cycles while maintaining normal operation and < 50mΩ  
 Bending strength: ≥ 1.5 kg  
 Breaking strength: ≥ 3.0 kg

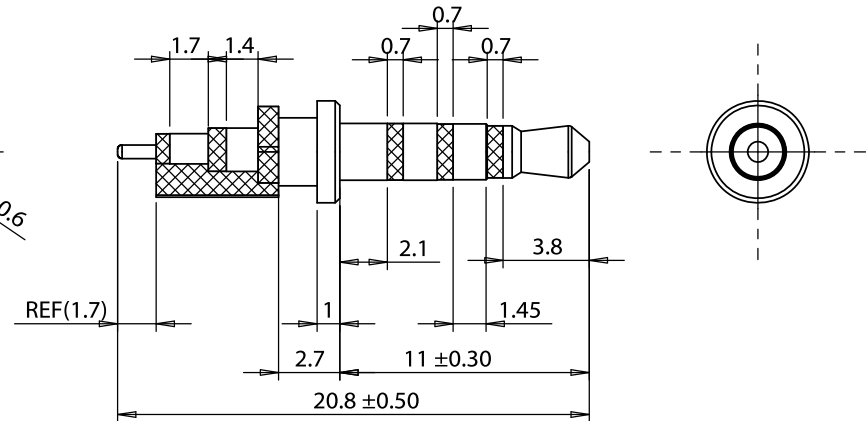
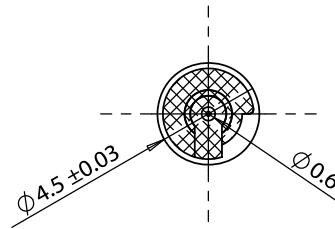
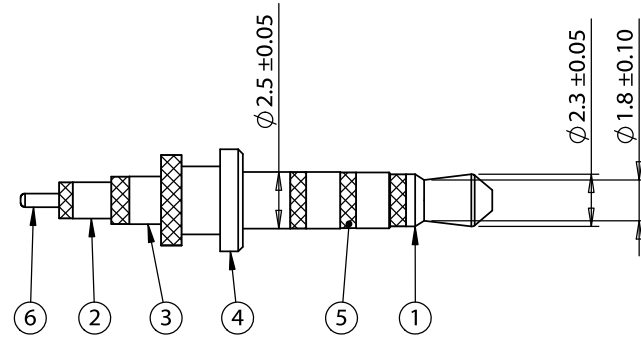
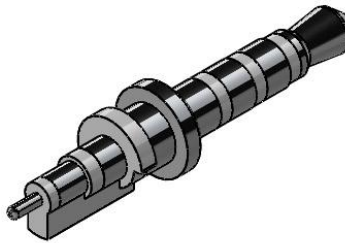
**Environmental tests**

Salt spray test: 5% NaCl spray at 1ml/80cm<sup>2</sup>/h, chamber temp 46.5°C, spray temp 35°C, 87% humidity, 48 hours. No oxidation.

Cold resistance: -25°C±3 for 2 hours with no degradation.  
 Heat resistance: 85°C±3 for 2 hours with no degradation.

**Operating range**

-30 to 85 °C



REVISION	DATE	DESCRIPTION
A	3/6/14	Initial release

**PREPARED:**

JM  
 2014.03.07 10:22:26 -08'00'

**VERIFIED:**

**LA**  
Digitally signed by LA  
 DN: cn=LA, o=Tensility, ou,  
 email=LA@tensility.com, c=US  
 Date: 2014.03.10 11:51:06 -0700'

**DIMENSIONS ARE IN MILLIMETERS**

**TOLERANCES:**  
 X: ± 0.5 mm  
 X.X: ± 0.3 mm  
 X.XX: ± 0.05 mm

**NOTES**

RoHS compliant

Function test: no open, no short circuit, no INT

**DESCRIPTION:**

Connector, 4C audio plug, 2.5xL20.8 mm, brass, nickel plated, white, molding style

**TENSILITY**

**20802 Sockeye Place #130  
 Bend, OR 97701 USA  
 tel 541.323.3228 fax 541.323.4202  
 800 877.670.7118 www.tensility.com**

**SIZE PART NUMBER**  
 A **50-00407**

SCALE: 5:1 WEIGHT: SHEET 1 OF 1