

10 9 8 7 6 5 4 3 2 1

F

E

D

C

B

A

F

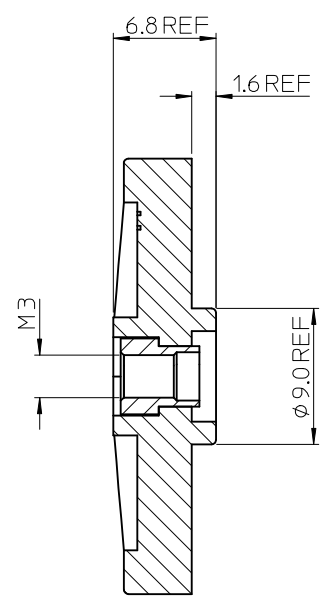
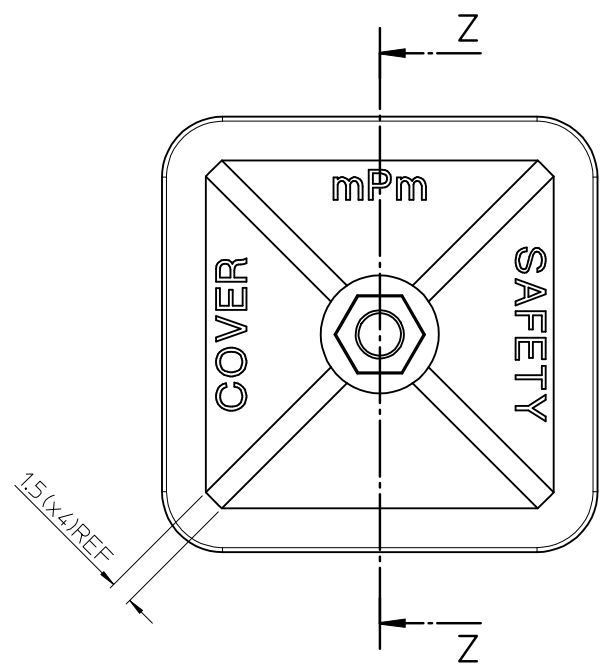
E

D

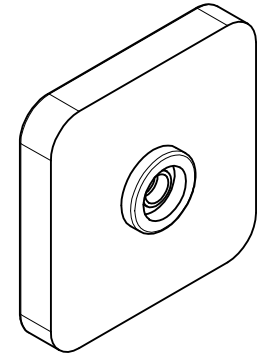
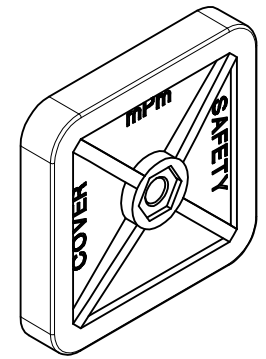
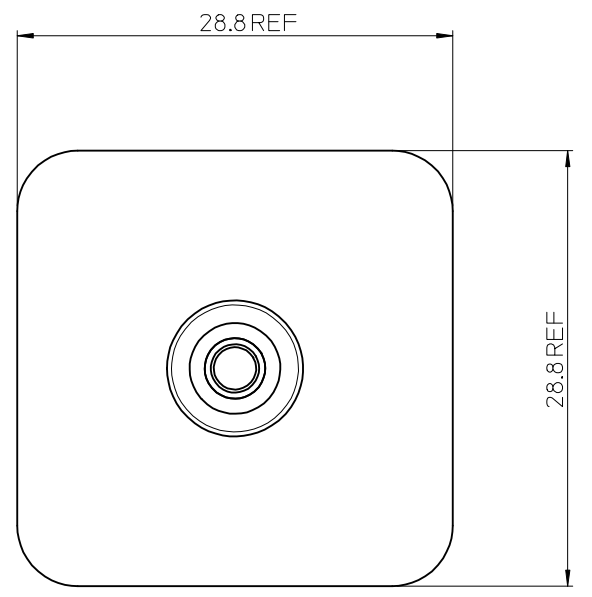
C

B

A



Z-Z



NOTES:

1. MATERIAL
HOUSING: PA BLACK
INSERT: BRASS
2. PLATING
INSERT: NICKEL
3. PACKAGING SPECIFICATION: PK-121129-001

ORIGINAL RELEASE EC NO: IPG2014-1309 DRW: DSHEA 2014/01/29 CHKD: SMCREEVY 2014/01/30 APPR: STGRIFFIN 2014/02/17	DESCRIPTION A	QUALITY SYMBOLS	GENERAL TOLERANCES (UNLESS SPECIFIED)		DIMENSION STYLE MM ONLY		SCALE 3:1	DESIGN UNITS METRIC	THIRD ANGLE PROJECTION	
		▼=0 ◻=0	mm INCH	DRAWN BY DSHEA	DATE 2014/01/29	TITLE SAFETY COVER				
		4 PLACES ± --- ± --- 3 PLACES ± --- ± --- 2 PLACES ± 0.10 ± --- 1 PLACE ± 0.20 ± --- 0 PLACE ± --- ± ---	ANGULAR ± 2 °	CHECKED BY SMCREEVY	DATE 2014/01/30	MATERIAL NO. 1210130006				
		DRAFT WHERE APPLICABLE MUST REMAIN WITHIN DIMENSIONS		APPROVED BY STGRIFFIN	DATE 2014/02/17	DOCUMENT NO. SD-121013-006			SHEET NO. 1 OF 1	

9 8 7 6 5 4 3 2 1