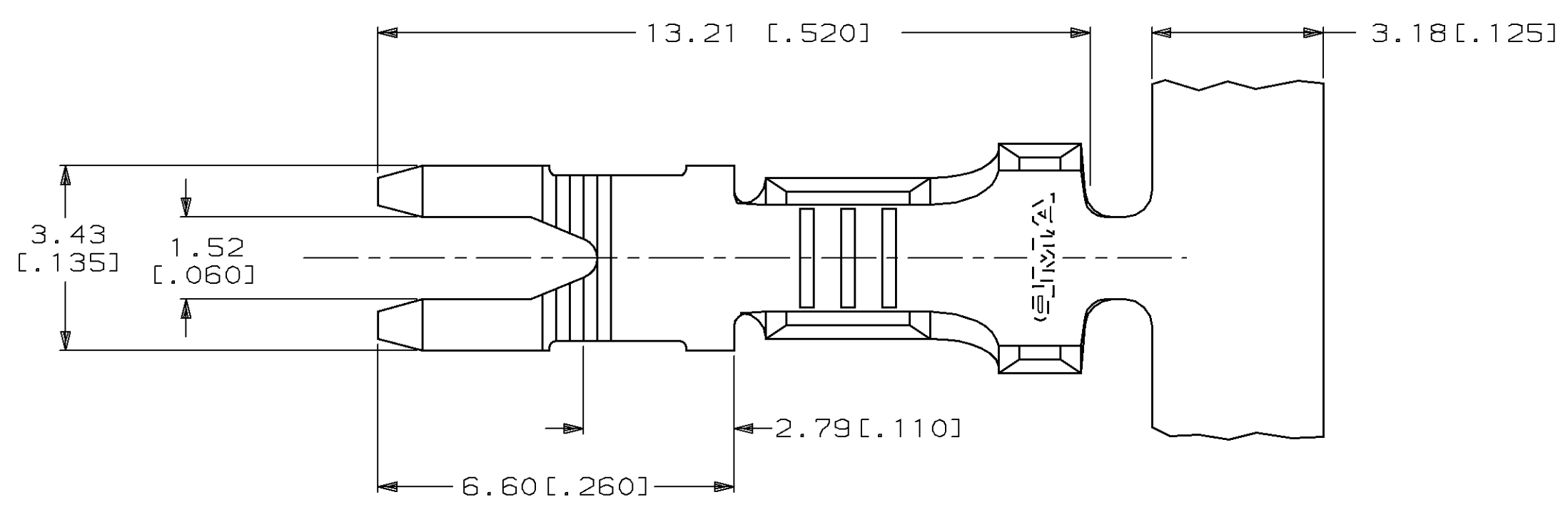
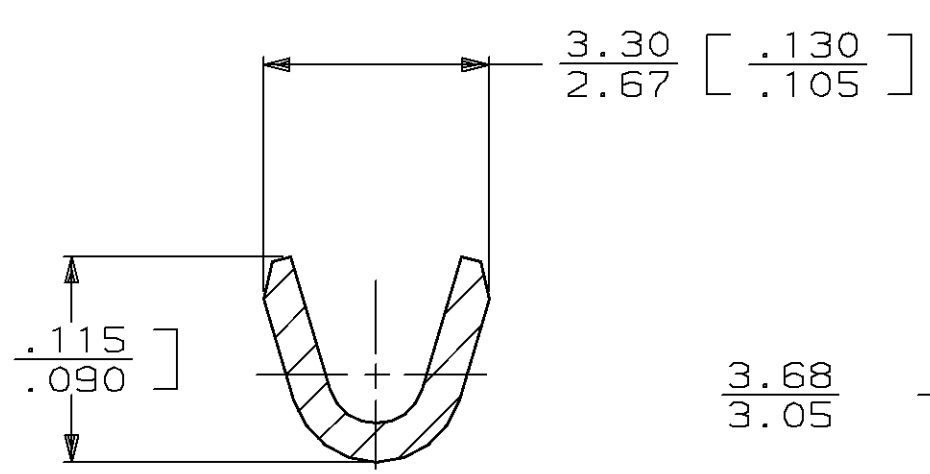
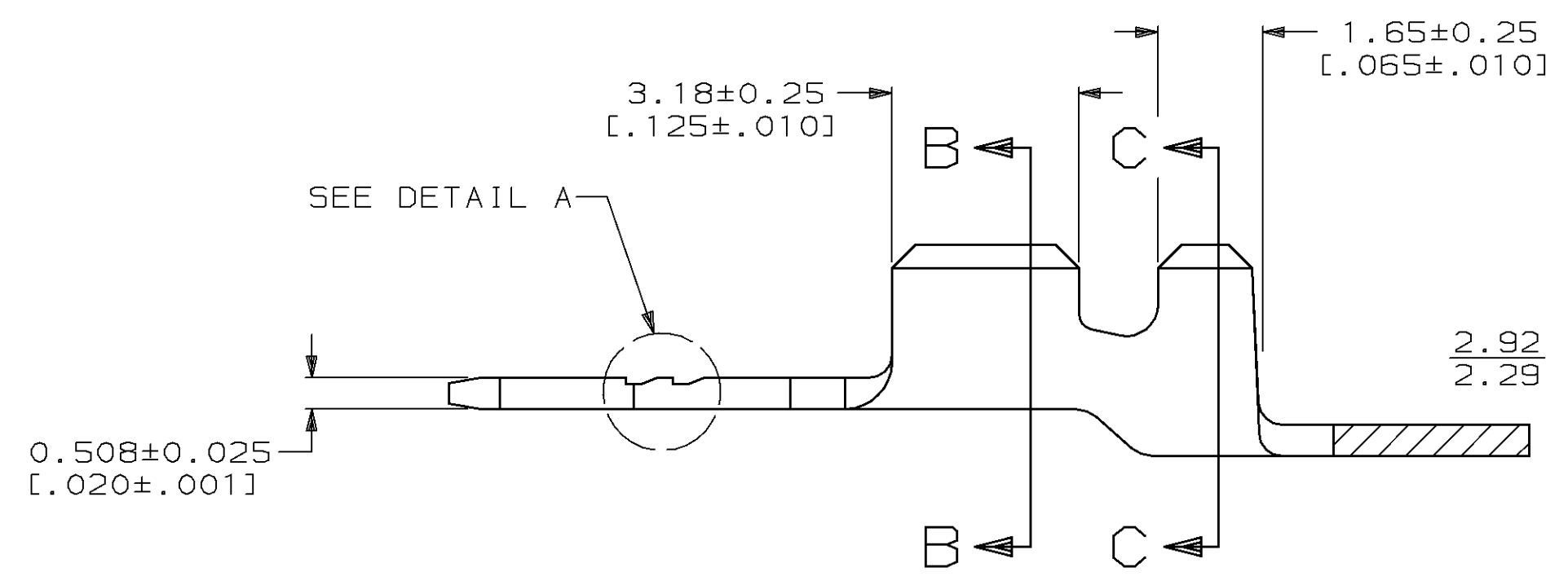


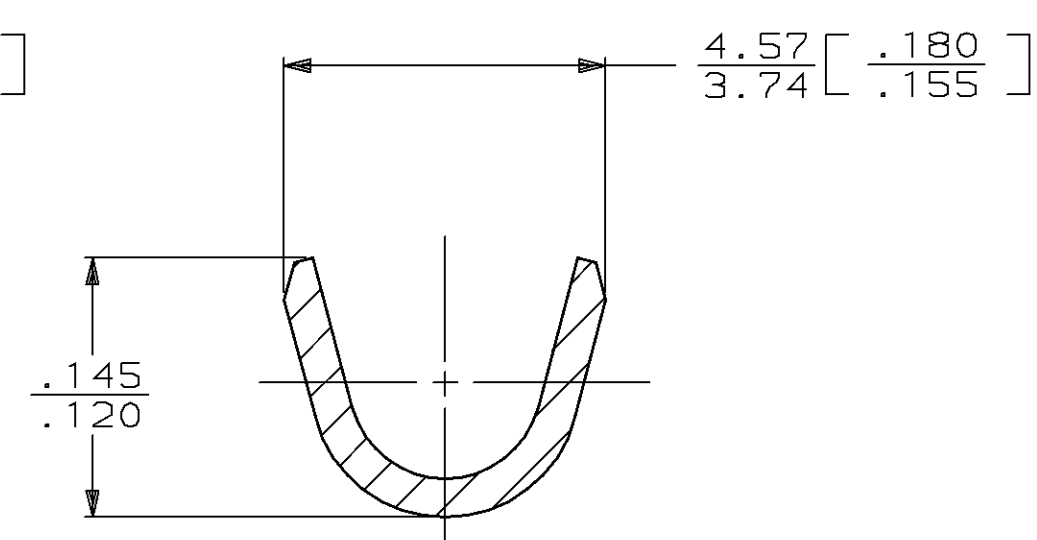
LOC		DIST		REVISIONS				DATE	APPD
ZONE	LTR	DESCRIPTION	DATE	APPD					
AF	50						8/4/93	PF/MF	
		C	REVISED PER 0204-93						



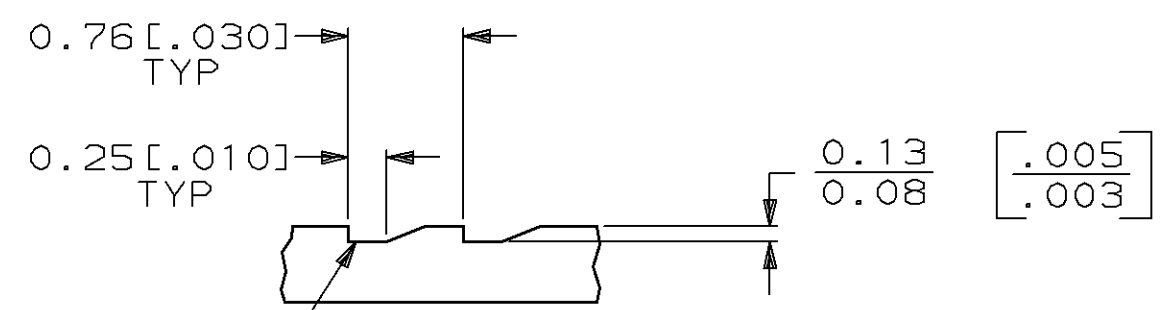
1 CONTINUOUS STRIP ON REELS  
 2 FOR OPTIMUM RETENTION IN POKE-IN TYPE MAG-MATE TERMINALS, ONE OF THE SERRATIONS AS SHOWN MUST BE ENGAGED WITH THE EDGE OF THE LEAF



SECTION B-B

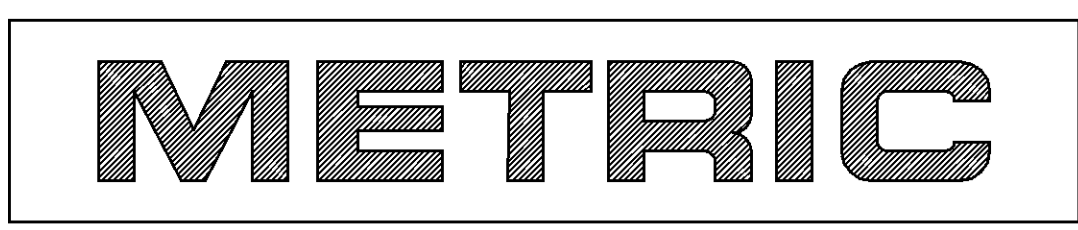


SECTION C-C



DETAIL A  
SCALE 20:1

PROPOSED DESIGN  
 NOT RELEASED FOR  
 PRODUCTION



	1.52 - 2.54 [.060-.100]	0.3-0.8 mm <sup>2</sup> [22 - 18]	63574-1
	INSULATION RANGE		WIRE RANGE
DO NOT SCALE PRINT. UNLESS SPECIFIED DIMENSIONS IN mm [INCHES] TOLERANCES ON: 2 PLC DEC ± - 3 PLC DEC ± 0.38 [.015] ANGLES ± -	DR 2/23/90 M.S. FEHER CHK 2/23/90 JR RUTH APPD 2/23/90 DF DECKER	AMP INCORPORATED Harrisburg, Pa. 17105	
MATERIAL #2 HARD BRASS	APPD 2/23/90 TL SHUTTER	NAME TAB, POKE-IN, MAG-MATE™	
FINISH TIN PER MIL-T-10727 .002032 [.000080] THK	APPLICATION SPEC -	SIZE C	FSCM NO 00779
	WEIGHT -	SCALE 10:1	DRAWING NO 63574
			SHEET 1 OF 1