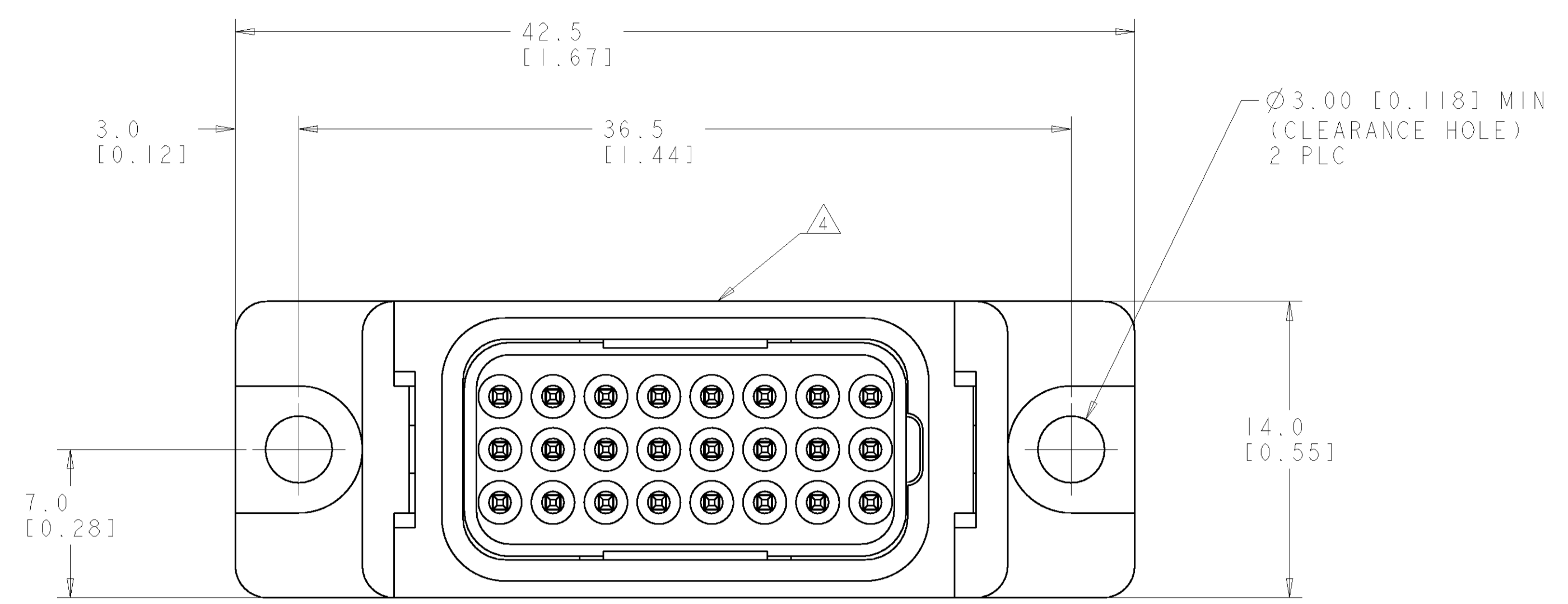


LOC		DIST		REVISIONS			
GP	00	P	LTR	DESCRIPTION	DATE	DWN	APVD
		B		RELEASED	25JUL2006	RG	DO



- PART NUMBER CHANGES AND OR DESIGN CHANGES AFFECTING ITEM INTERCHANGEABILITY REQUIRE PRIOR TYCO APPROVAL AND AUTHORIZATION BY REVISION TO THIS DRAWING.
- MATERIAL:
INSULATORS - THERMOPLASTIC, GLASS REINFORCED, COLOR: BLACK, UL94V-0 FLAMMABILITY RATED.
SOLDER SIGNAL PINS-BRASS ALLOY
- FINISH:
CONTACTS - GOLD PLATE .000030 INCH MIN. THK., OVER NICKEL .000050 INCH MIN. THK
SOLDER TAILS, TIN .000040 INCH MIN. THK.
OVER NICKEL .000050 MIN THK.

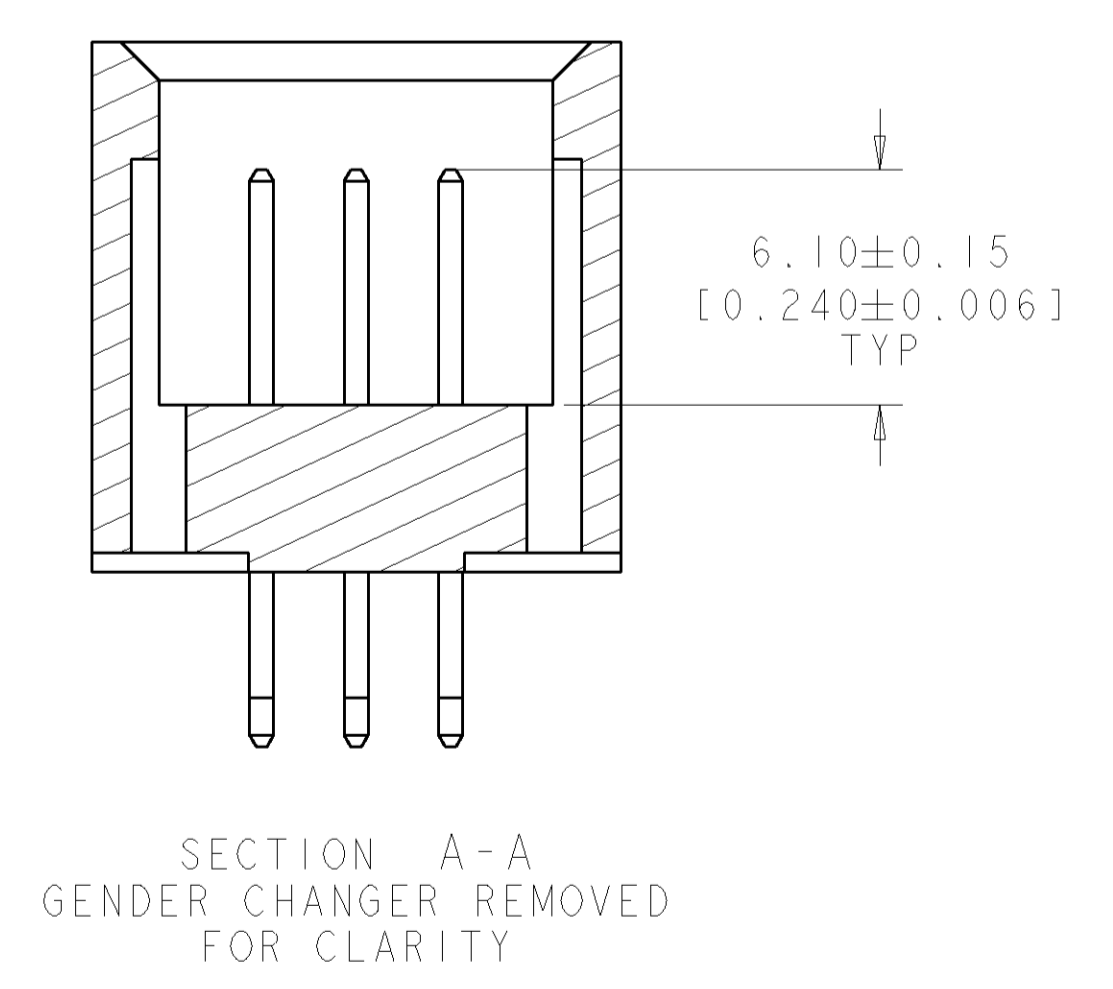
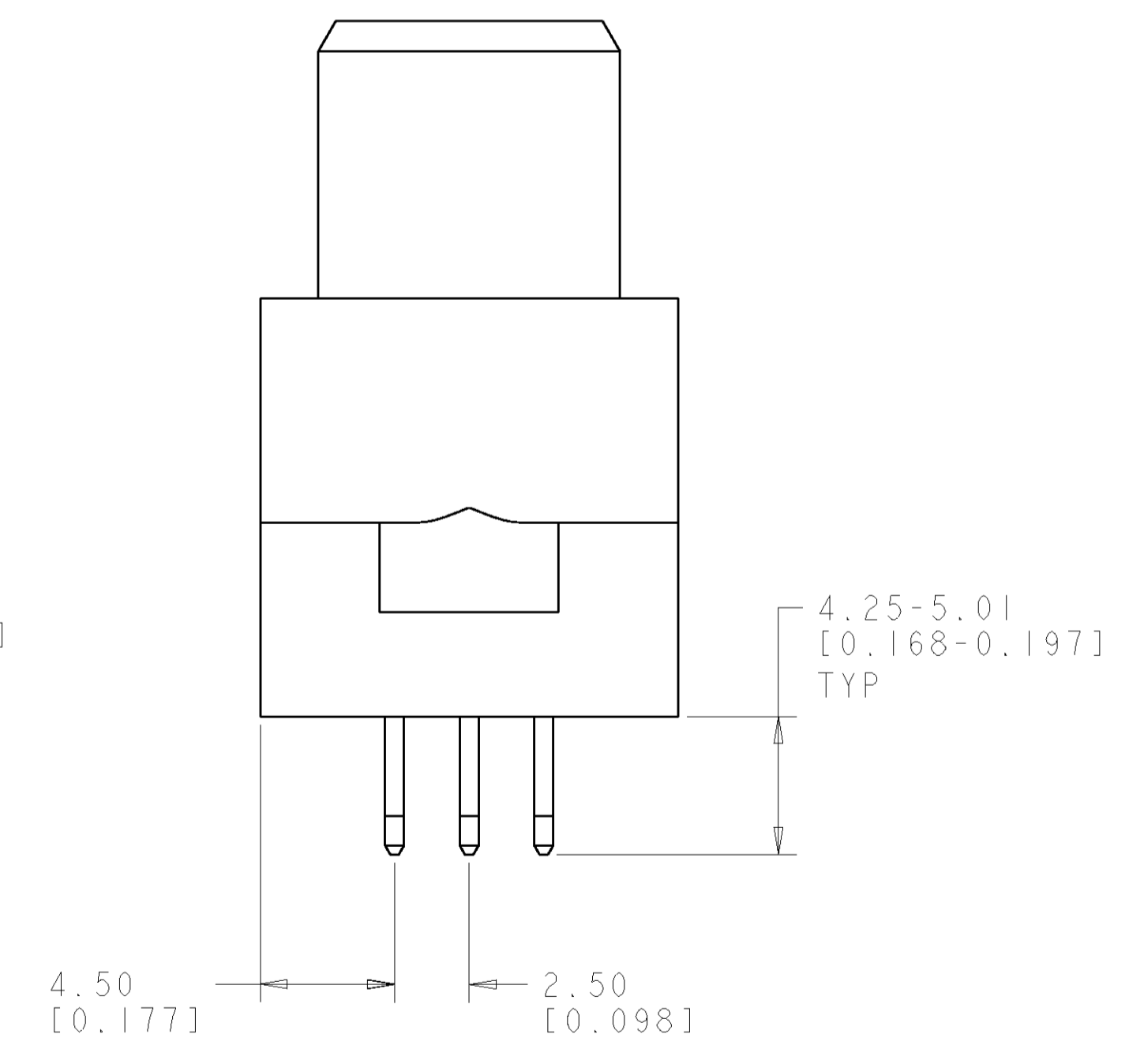
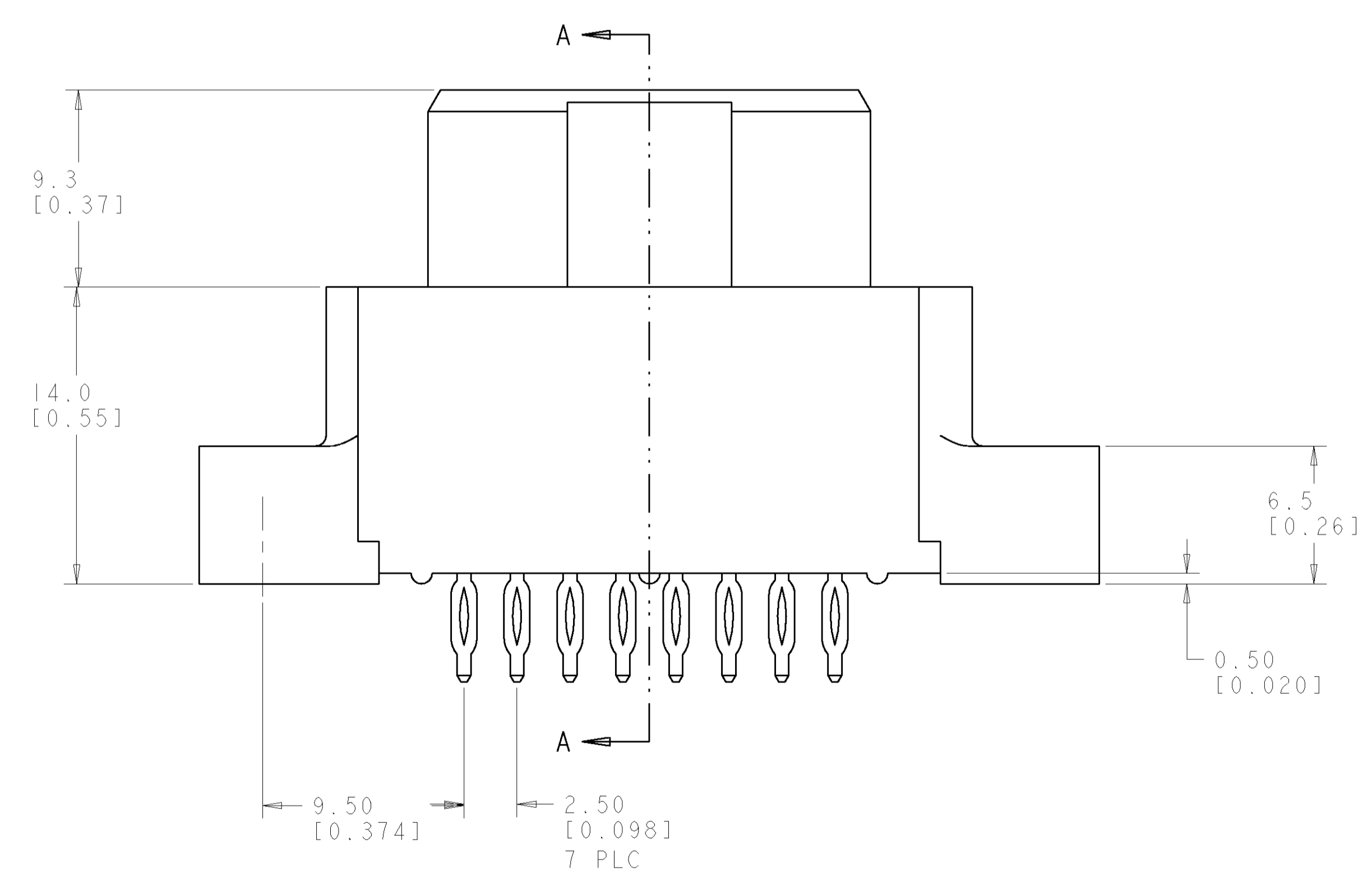
△ ITEMS PROVIDED TO THIS SPECIFICATION TO BE PERMANENTLY IDENTIFIED PER THE FOLLOWING IDENTIFIER LABEL

YEAR 1 WEEK

TYCO PART NO. DATE CODE (e.g. 0106)

XXXXXXXX-X XXXX

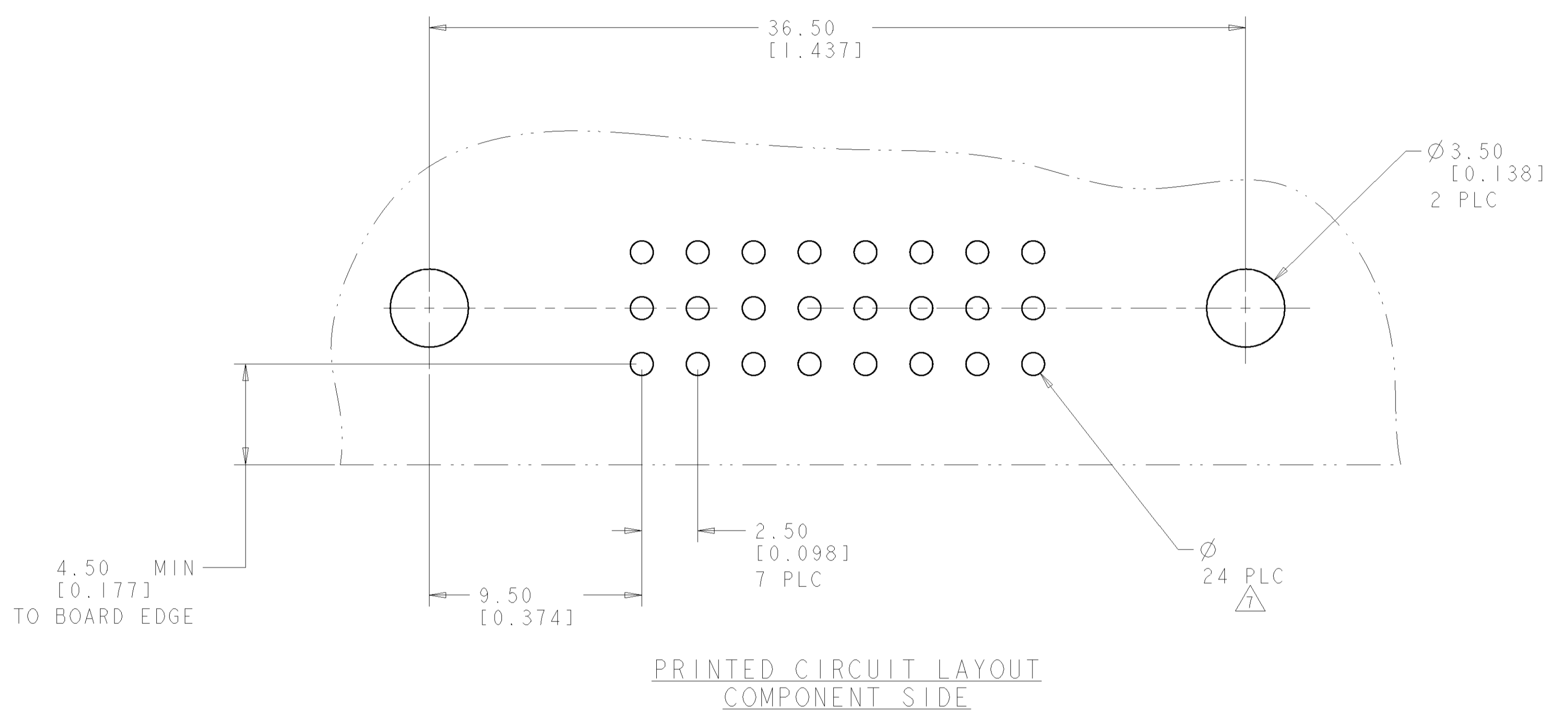
- MOUNTING FLANGE ACCEPTS M3 OR #4-40 SCREWS. (USER SUPPLIED)



AS SHOWN	6646315-1
DESCRIPTION	PART NUMBER

<small>THIS DRAWING IS UNPUBLISHED. RELEASED FOR PUBLICATION BY TYCO ELECTRONICS CORPORATION. ALL RIGHTS RESERVED.</small>		DWN: B. GRZYBOWSKI 25JULY06 CHK: D. ORRIS 25JULY06 APVD: S. FLICKINGER 25JULY06	Tyco Electronics Harrisburg, PA 17105-3608
DIMENSIONS: mm [INCHES] TOLERANCES UNLESS OTHERWISE SPECIFIED: 0 PLC ± 1 PLC ±0.3 2 PLC ±0.15 3 PLC ± 4 PLC ± ANGLES ± 5	PRODUCT SPEC APPLICATION SPEC WEIGHT CUSTOMER DRAWING	NAME: STRAIGHT SOCKET CONNECTOR COMPLIANT TAIL SIZE: A1 CAGE CODE: 6646315 SCALE: 3:1 SHEET: 1 OF 3 REV: B	RESTRICTED TO

LOC		DIST		REVISIONS			
P	LTR	DESCRIPTION	DATE	DRN	APVD		
-	-	SEE SHEET 1	-	-	-		

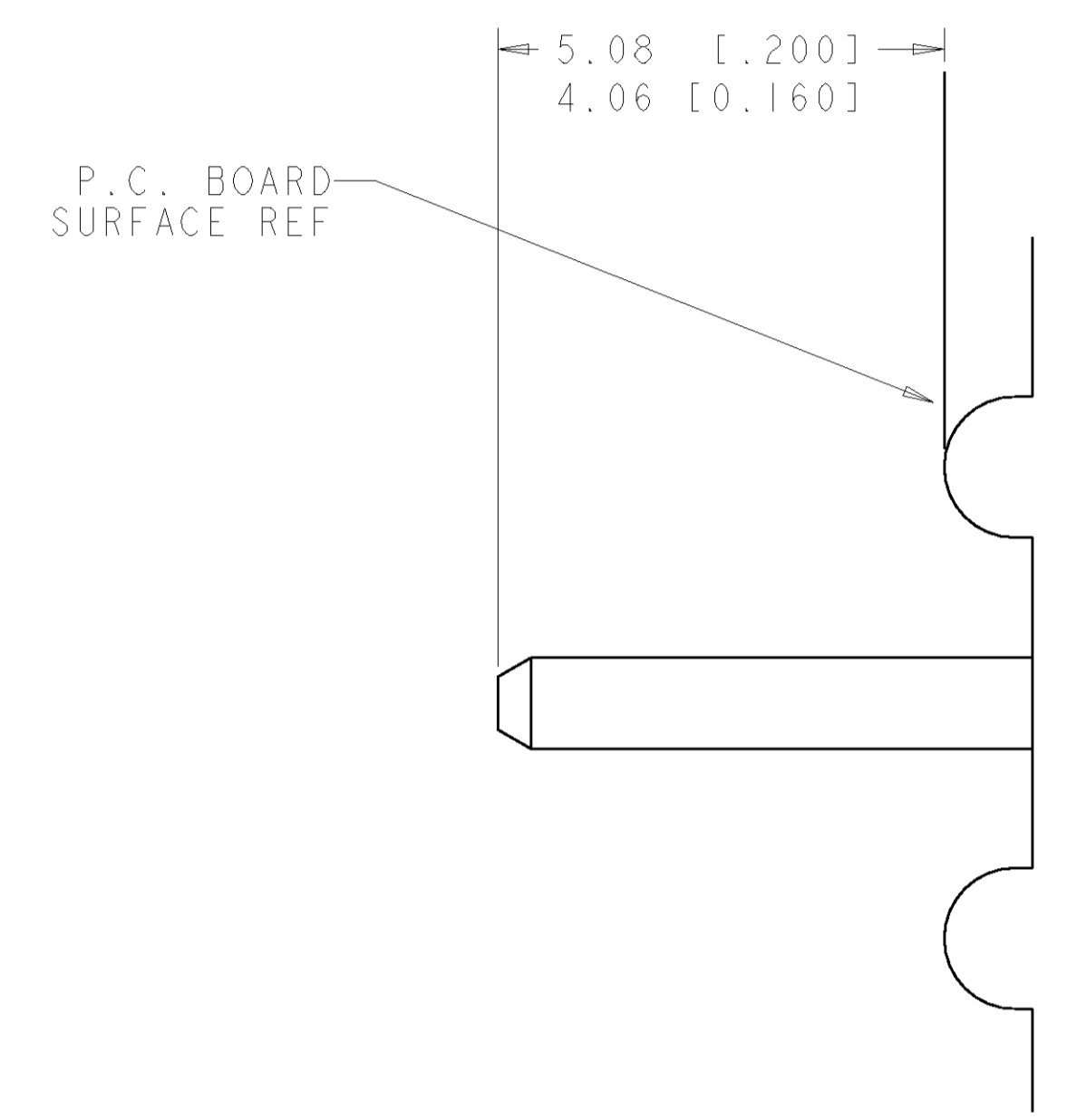


CONNECTOR	EQUIVALENT CATALOG MODULE #	MODULE QTY	CONTACT QTY	SIZE NO.	MATING PIN	MAX. CURRENT (PER CONTACT)	CONTACT SPACING	VOLTAGE RATING
PIN	FP418	1	24	22	.64 [.025] SQ.	3 amps	2.50 [.0984]	125 VOLTS
	FP500	1	-	LEFT MOUNTING FLANGE				
	FP501	1	-	RIGHT MOUNTING FLANGE				

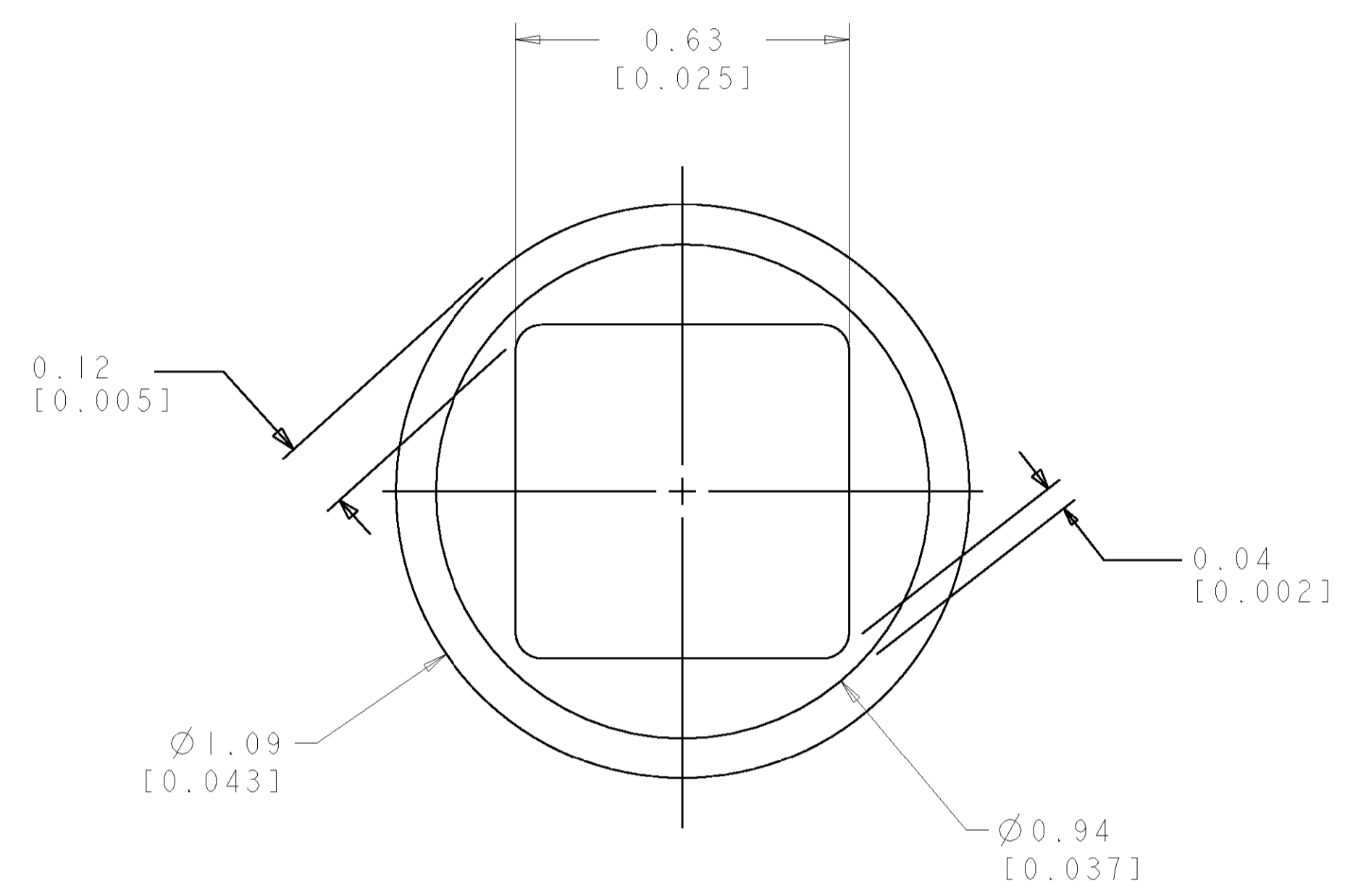
ELCON **FLATPAQ**

<small>THE INFORMATION CONTAINED HEREIN IS UNCLASSIFIED EXCEPT WHERE SHOWN OTHERWISE. IT IS SUBJECT TO CHANGE WITHOUT NOTICE AND IS THE PROPERTY OF TYCO ELECTRONICS CORPORATION. IT IS TO BE CONTAINED AND NOT TO BE RELEASED TO THE PUBLIC.</small>		DRN: B. GRZYBOWSKI 25JULY06 ENR: D. ORRIS 25JULY06 APVD: S. FLICKINGER 25JULY06	tyco Electronics Tyco Electronics Harrisburg, PA 17105-3608
DIMENSIONS: mm [INCHES] 	TOLERANCES UNLESS OTHERWISE SPECIFIED: 0 PLC ± 1 PLC ±0.3 2 PLC ±0.15 3 PLC ± 4 PLC ± ANGLES ± 5	PRODUCT SPEC: - APPLICATION SPEC: - WEIGHT: - CUSTOMER DRAWING	NAME: STRAIGHT SOCKET CONNECTOR COMPLIANT TAIL SIZE: A 00779 C=6646315 SCALE: 3:1 SHEET 2 OF 3 REV B

LOC	DIST	REVISIONS			
P	LTR	DESCRIPTION	DATE	DNW	APVD
-	-	SEE SHEET 1	-	-	-



6. COMPLIANT PIN DETAIL
SCALE 10:1



△ SOLDER TERMINATION AREA
 SCALE 40:1
 RECOMMENDED PRINTED CIRCUIT COMPLIANT HOLE
 FINISHED HOLE: Ø1.02 [.040] ±.008 [.0003]
 DRILLED HOLE: Ø1.15 [.0453] ±.013 [.0005]
 COPPER PLATE: .025 [.0010] MIN
 TIN PLATE: .008 [.0003] MIN. (PER SURFACE)

ELCON FLATPAQ

<small>THIS DRAWING IS UNPUBLISHED. RELEASED FOR PUBLICATION BY TYCO ELECTRONICS CORPORATION. ALL RIGHTS RESERVED.</small>		DWN: B. GRZYBOWSKI 25JULY06 CHK: D. ORRIS 25JULY06 APVD: S. FLICKINGER 25JULY06	Tyco Electronics Harrisburg, PA 17105-3608
DIMENSIONS: mm [INCHES]	TOLERANCES UNLESS OTHERWISE SPECIFIED: 0 PLC ± 1 PLC ±0.3 2 PLC ±0.15 3 PLC ± 4 PLC ± ANGLES ± 5	NAME: STRAIGHT SOCKET CONNECTOR COMPLIANT TAIL PRODUCT SPEC: APPLICATION SPEC: WEIGHT:	SIZE: A 00779 C=6646315 SCALE: 3:1 SHEET 3 OF 3 REV B
MATERIAL: -	FINISH: -	CUSTOMER DRAWING	RESTRICTED TO: -