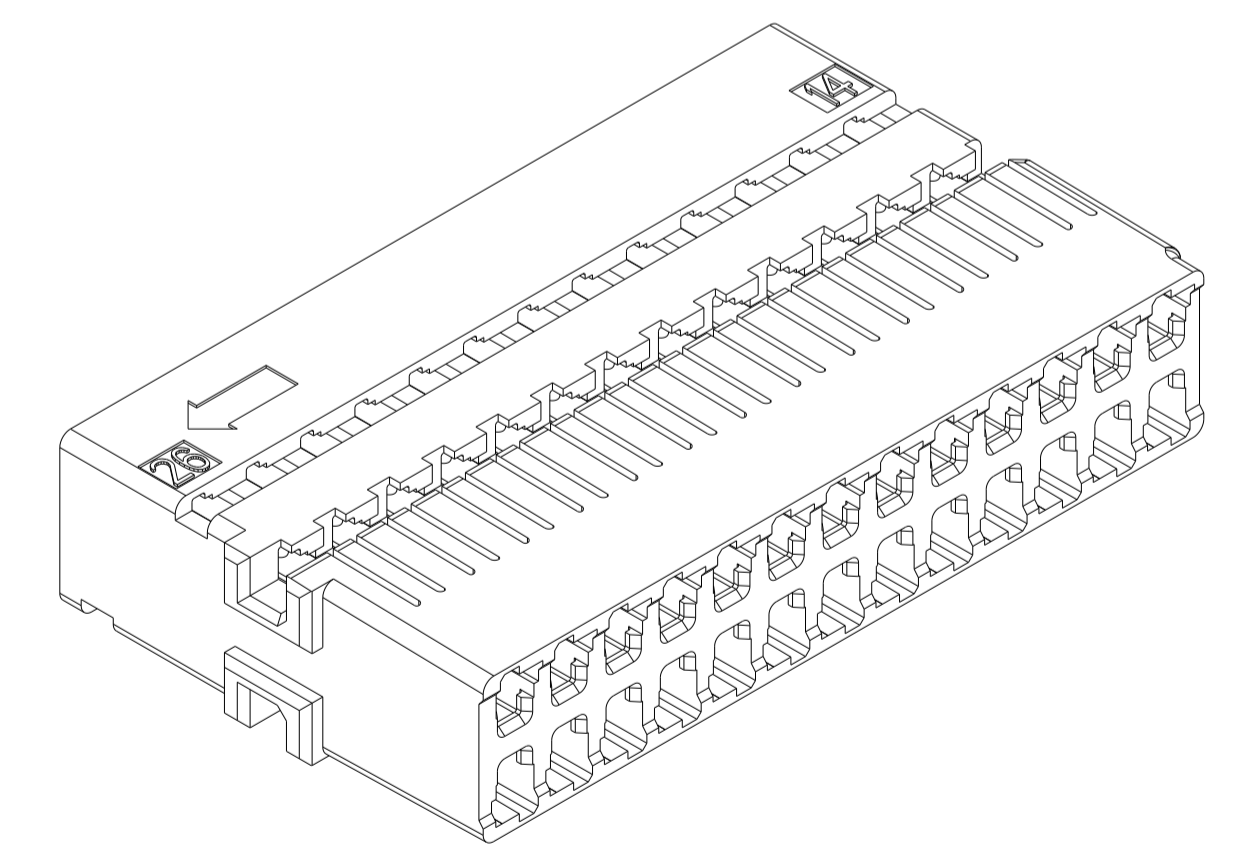
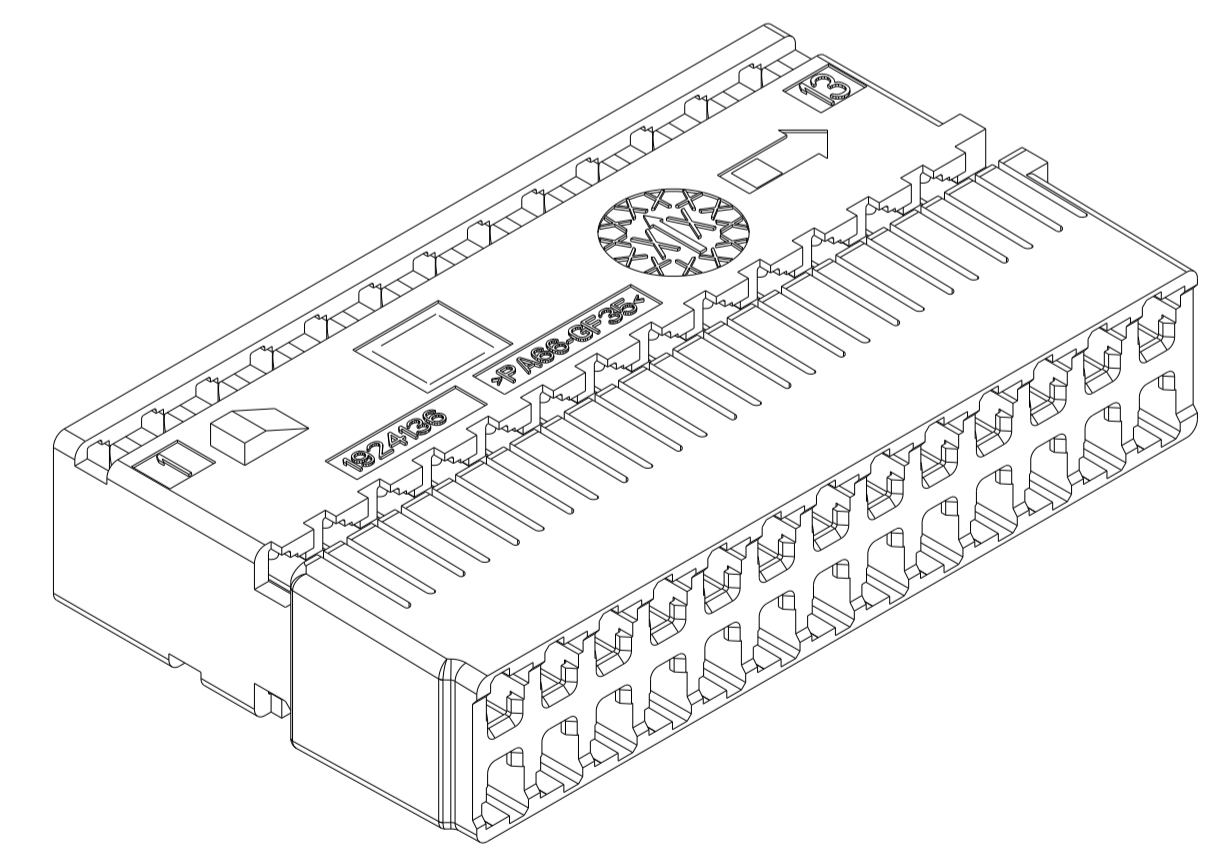
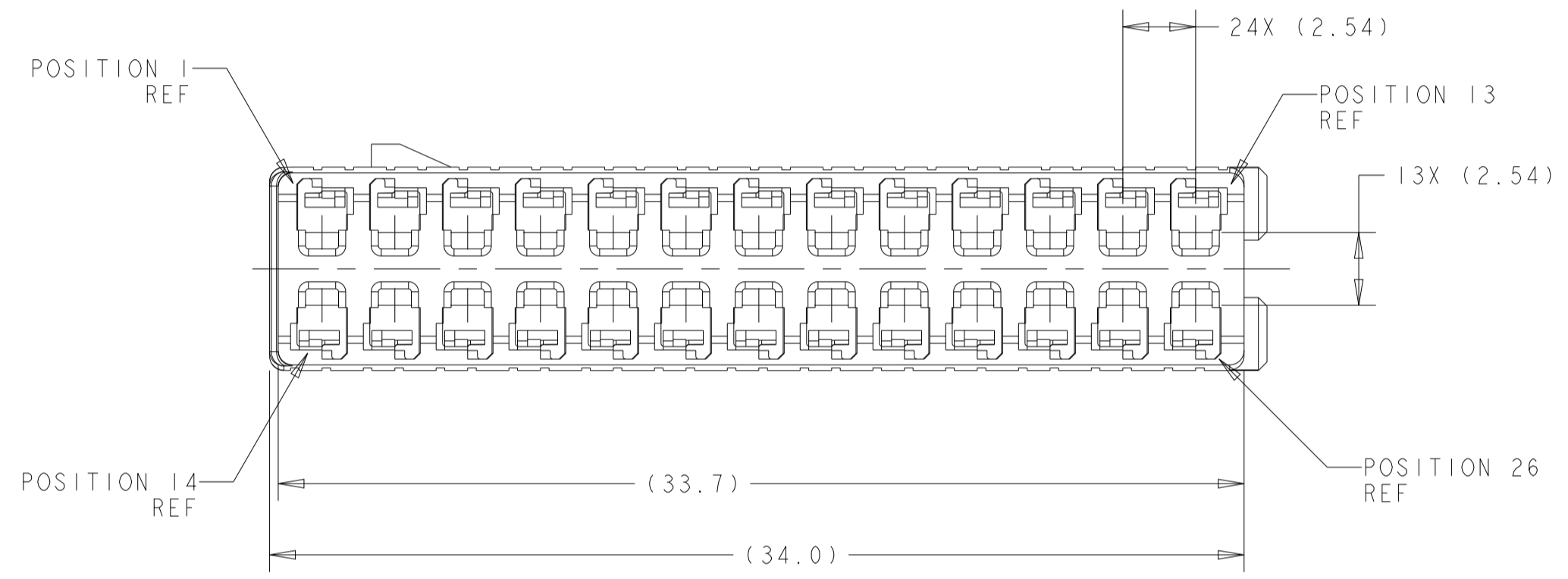
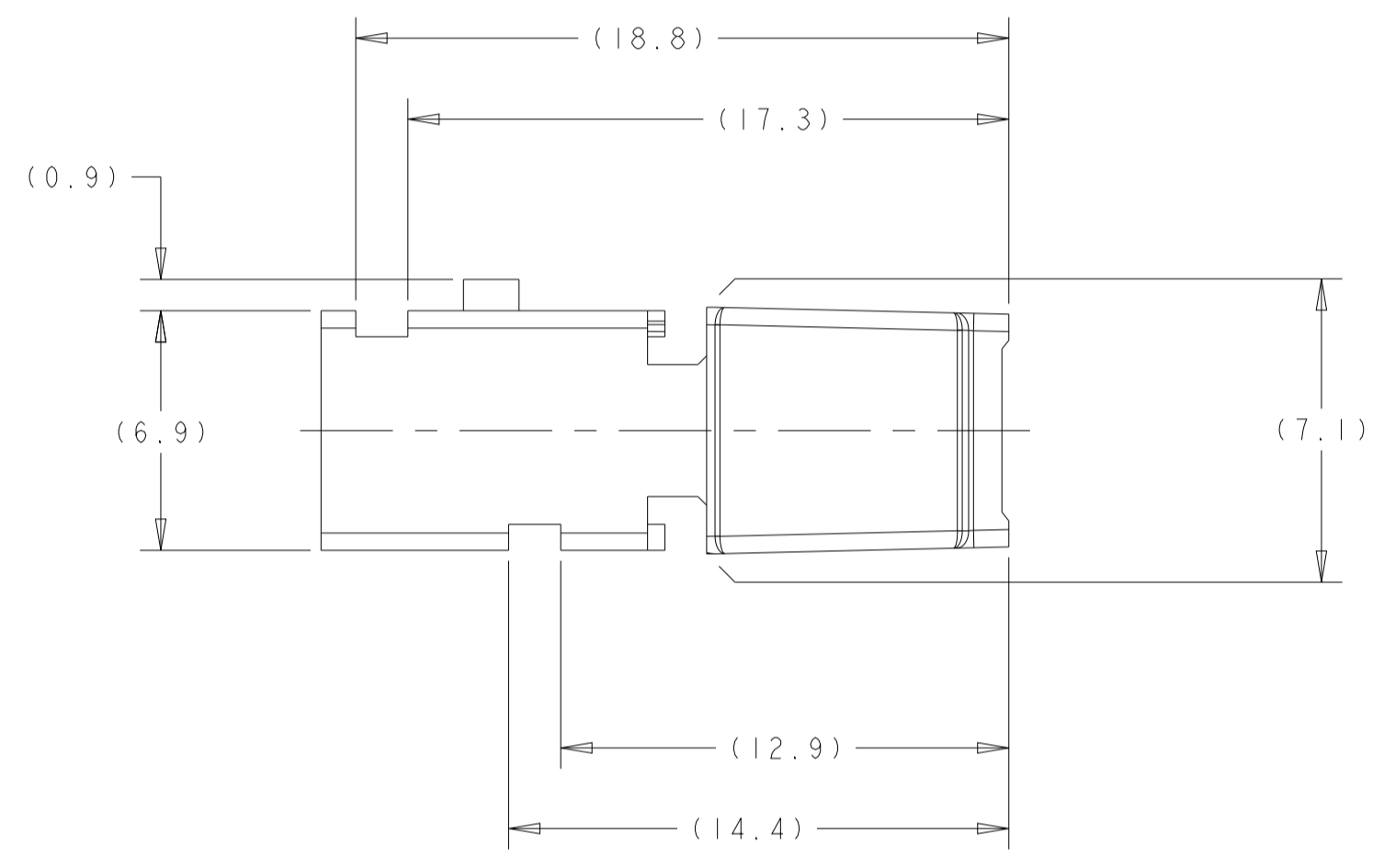
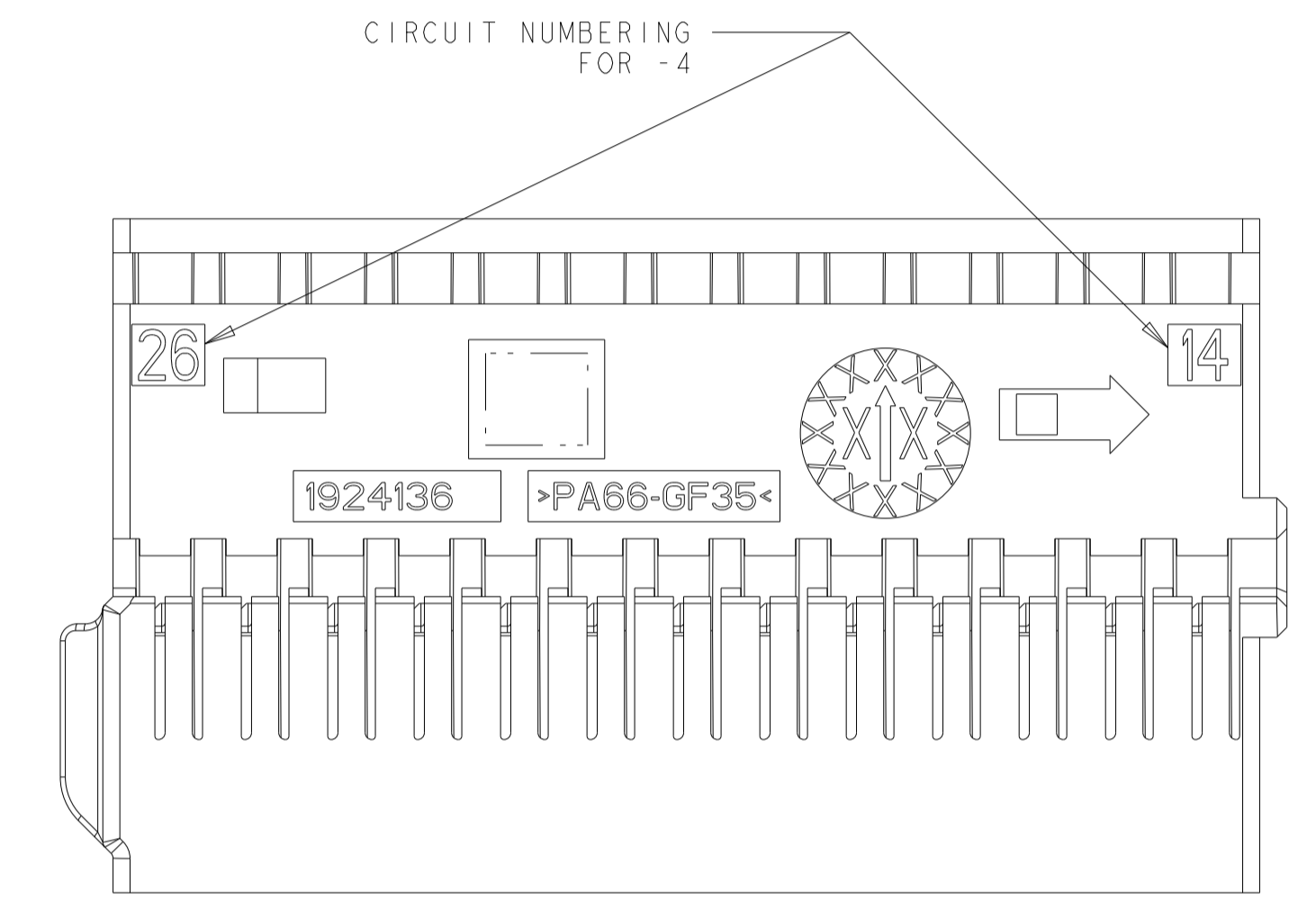
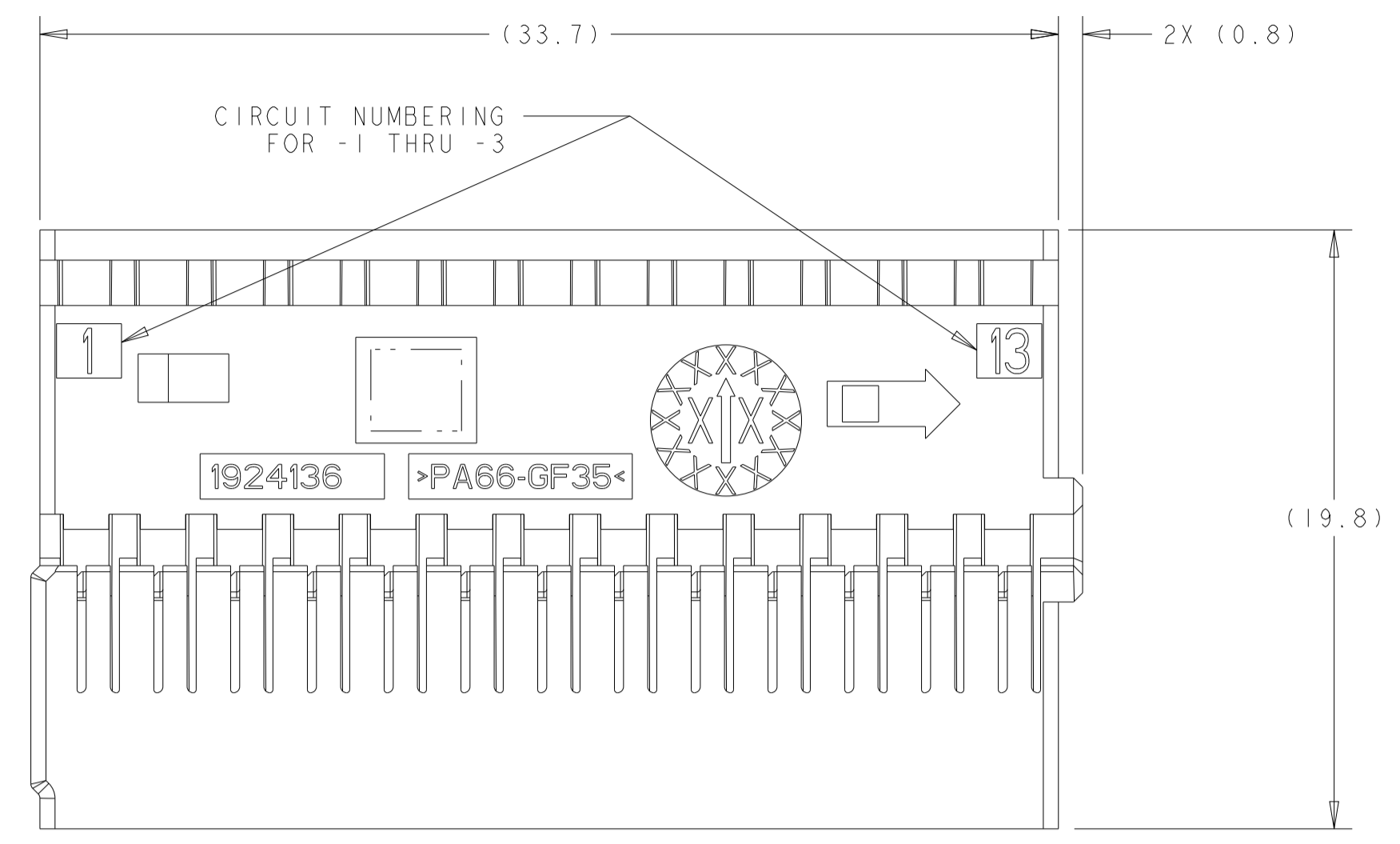
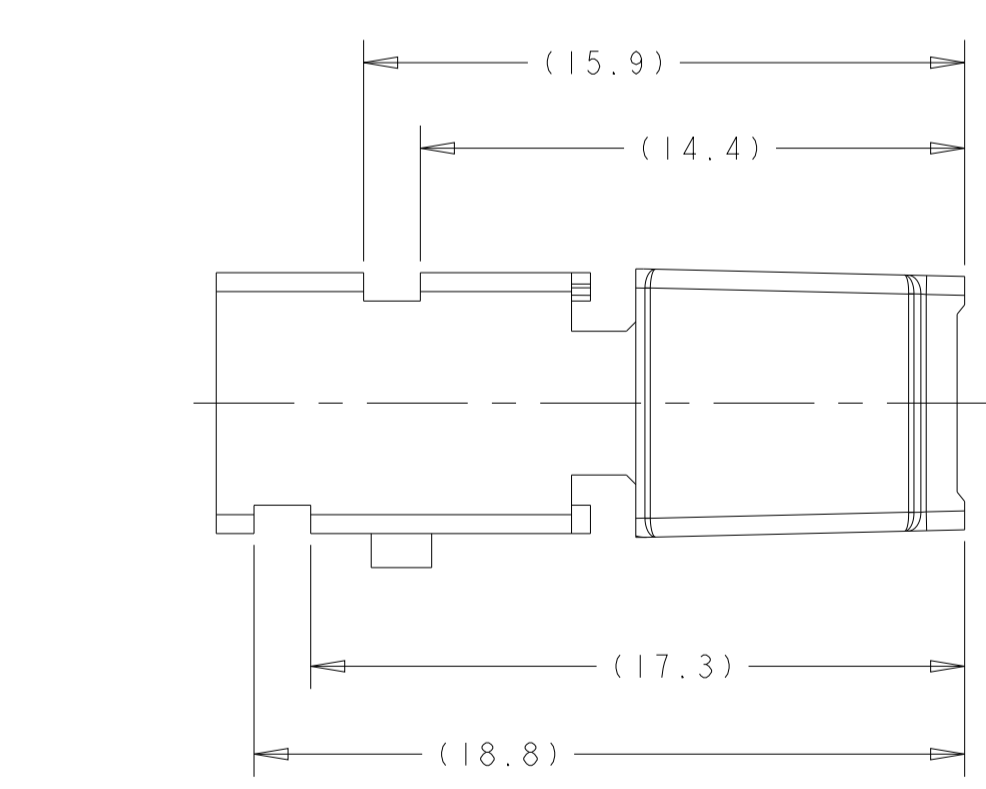


LOC		DIST		REVISIONS			
P	LTN	DESCRIPTION	DATE	DWN	APVD		
A		INITIAL RELEASE	12FEB2008	DJH	RDH		
A1		REVISED PER ECO-021788	02SEP2008	DLD	CJS		
A2		REV PER ECO-21-005828	21MAY2021	RGV	CJS		
A3		REVISED PER ECM-21-120251	01NOV2021	JMS	CS		

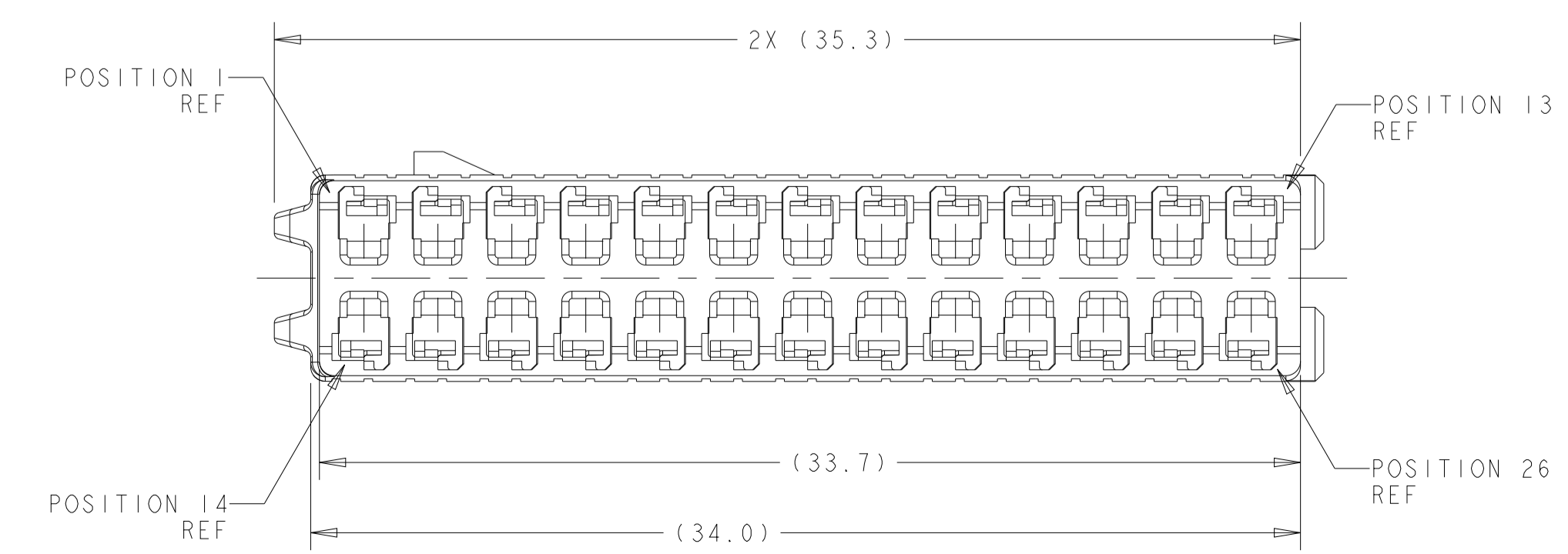
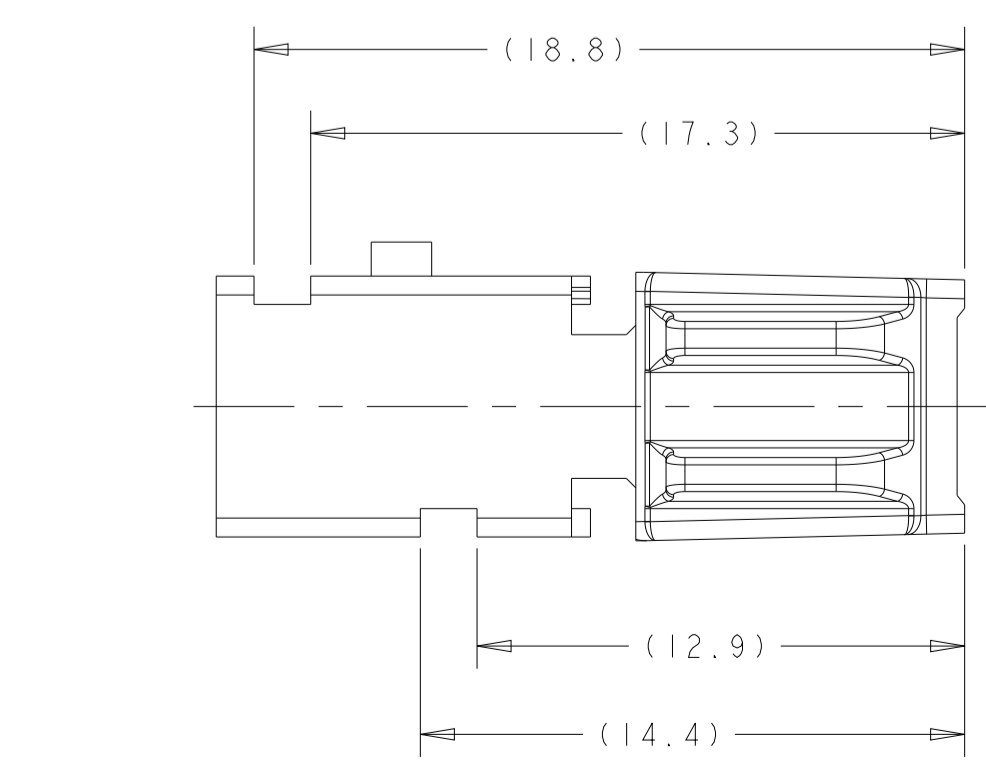
△ NYLON 6/6, COLOR: SEE TABLE, 35% GLASS FILLED.
 2. CONTACTS SOLD SEPARATELY. SEE DRAWING NUMBER 1456574 FOR TERMINATION AND REELING OPTIONS.



ISOMETRIC VIEWS
SCALE 4:1



DETAIL B



DETAIL C

CONFIGURATION	COLOR	PART NUMBER	
1924141-1 THRU 1-0	PER DETAIL C	BLACK	1924136-4
1924141-1 THRU 1-0	PER DETAIL C	BLACK	1924136-3
1924346-1 THRU -6	PER DETAIL B	GRAY	1924136-2
1924346-1 THRU -6	AS SHOWN	BLACK	1924136-1

DIMENSIONS: mm 		TOLERANCES UNLESS OTHERWISE SPECIFIED: 0 PLC ± 1 PLC ± 2 PLC ± 3 PLC ± 4 PLC ± ANGLES ± FINISH		DWN: D.J. HARDY 12FEB2008 CHK: R.D. HETRICK APVD: R.D. HETRICK 12FEB2008 PRODUCT SPEC APPLICATION SPEC WEIGHT: - CUSTOMER DRAWING		Tyco Electronics Harrisburg, PA 17105-3608 NAME: CARRIER, 26 POSITION, GENERATION Y, 0.64mm LAC CONNECTOR SIZE: A1 CAGE CODE: 00779 DRAWING NO: 1924136 SCALE: 5:1 SHEET: 1 OF 1 REV: A3	
-----------------------	--	---	--	---	--	--	--