

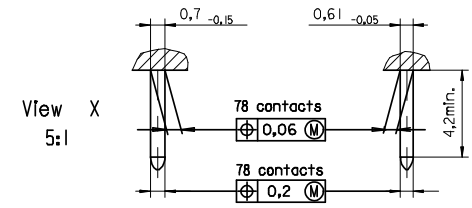
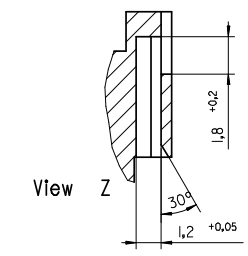
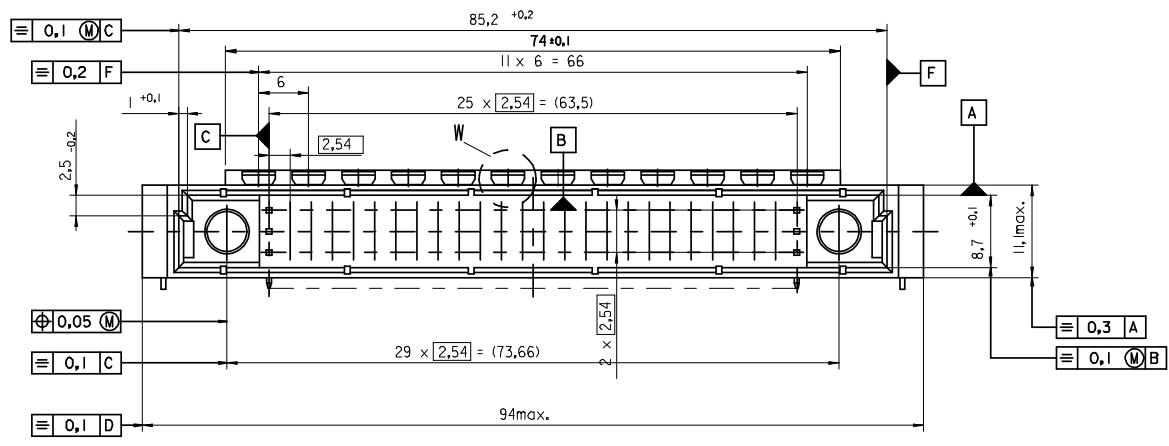
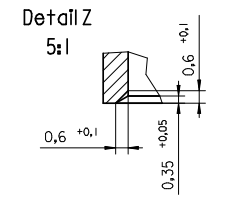
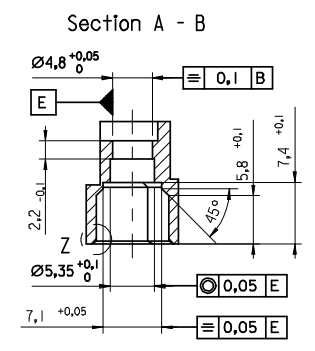
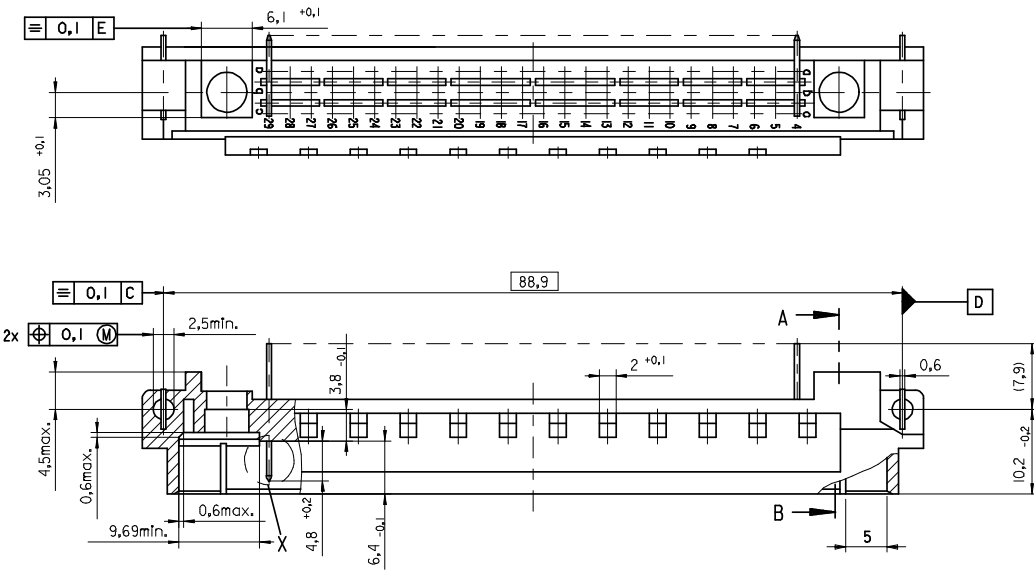
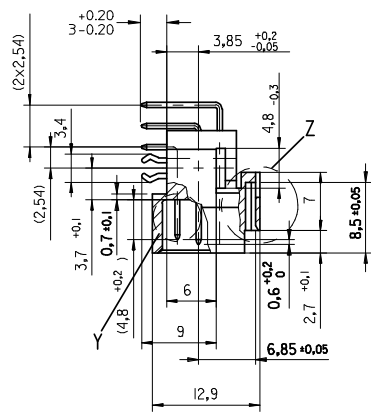
View Y
5:1

ENTER DESCRIPTION		QUALITY SYMBOLS	
EC NO: 12009-0039	2008/07/28	▽=0	
DRWNSJ	2008/07/31	▽=0	
CHKD:KPRASAD	2008/08/11		
APPR:KPRASAD			
REV	DESCRIPTION		
B			

GENERAL TOLERANCES (UNLESS SPECIFIED)	
mm	INCH
4 PLACES	± --- ± ---
3 PLACES	± --- ± ---
2 PLACES	± --- ± ---
1 PLACE	± --- ± ---
ANGULAR ± 2 °	
DRAFT WHERE APPLICABLE MUST REMAIN WITHIN DIMENSIONS	

DIMENSION STYLE	
MM ONLY	
DRAWN BY	DATE
CA	1995/06/13
CHECKED BY	DATE
KN	1995/06/13
APPROVED BY	DATE
KN	1995/06/13
MATERIAL NO.	DOCUMENT NO.
---	---
SIZE	THIS DRAWING CONTAINS INFORMATION THAT IS PROPRIETARY TO MOLEX INCORPORATED AND SHOULD NOT BE USED WITHOUT WRITTEN PERMISSION
A2	

SCALE	DESIGN UNITS	THIRD ANGLE PROJECTION
2:1	METRIC	
TITLE		
878POS. MALE DIN CONNECTOR DIN 41612 STYLE M		
MOLEX MOLEX INCORPORATED		
SDA-85009-0004		SHEET NO. 1 OF 2



ENTER DESCRIPTION EC NO: 12009-0039 DRAWNSJ CHYK:KPRASAD APPR:KPRASAD 2008/07/28 2008/07/31 2008/08/11	QUALITY SYMBOLS ▽=0 ▽=0	GENERAL TOLERANCES (UNLESS SPECIFIED)		DIMENSION STYLE MM ONLY		SCALE 2:1	DESIGN UNITS METRIC	THIRD ANGLE PROJECTION	
		4 PLACES ± --- ± --- 3 PLACES ± --- ± --- 2 PLACES ± --- ± --- 1 PLACE ± --- ± ---	mm INCH	DRAWN BY CA	DATE 1995/06/14	TITLE 78POS. MALE DIN CONNECTOR DIN 41612 STYLE M		MOLEX INCORPORATED	
DRAFT WHERE APPLICABLE MUST REMAIN WITHIN DIMENSIONS		ANGULAR ± 2 °		APPROVED BY KN		DATE 1995/06/14		DOCUMENT NO. SDA-85009-0004	
SIZE A2		THIS DRAWING CONTAINS INFORMATION THAT IS PROPRIETARY TO MOLEX INCORPORATED AND SHOULD NOT BE USED WITHOUT WRITTEN PERMISSION							

