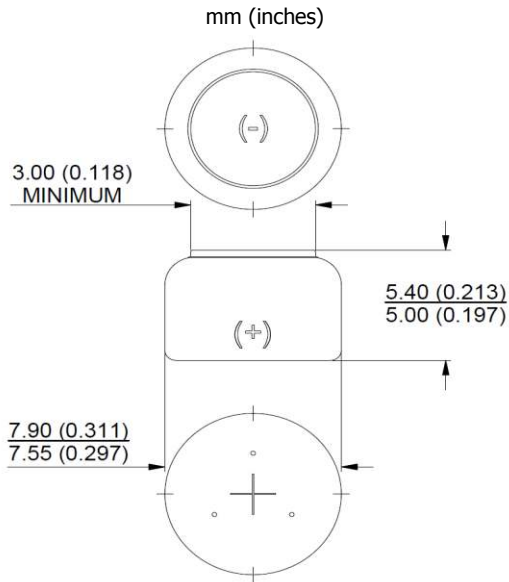


ENERGIZER 13 size - **Mercury Free**

**ZnAir**



**Industry Standard Dimensions**

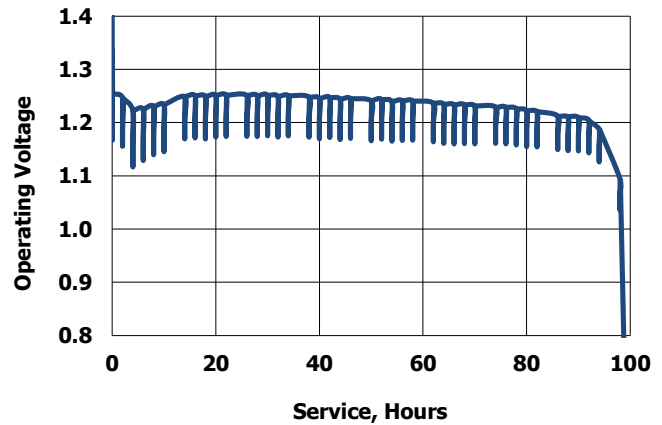


**Specifications**

<b>Chemical System:</b>	Zinc Air (Zn/O <sub>2</sub> )
<b>Tab Color:</b>	Orange
<b>Designation:</b>	ANSI-7000ZD, IEC-PR48
<b>Nominal Voltage:</b>	1.4 Volts
<b>Typical Capacity:</b>	289 mAh (to 1.05 volts) (IEC-STD at 12/3 mA at 21°C)
<b>Typical Weight:</b>	0.8 grams (0.03 oz.)
<b>Typical Volume:</b>	0.03 cubic centimeters (0.02 cubic inch)

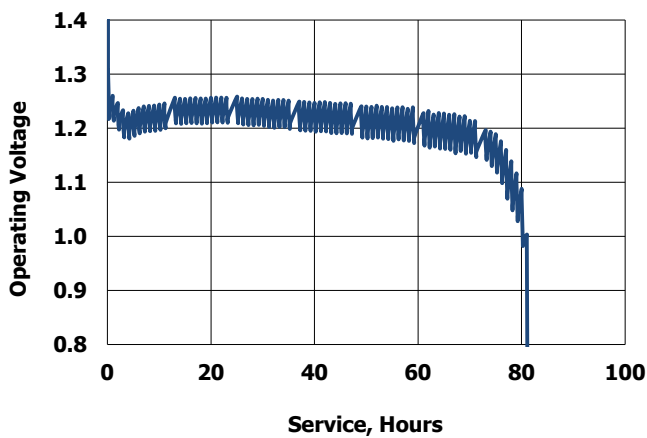
**Typical Discharge Characteristics**

IEC Industry Standards / Standard Test Protocol  
(12/3 mA .1S/1H59M 59.9S 12H at 21C)



**Typical Discharge Characteristics**

ANSI/IEC Industry Standards / Wireless Streaming Protocol  
(5mA 15 min/ 3mA 45 min 12H cycle at 21C)



**Important Notice**

This datasheet contains typical information specific to products manufactured at the time of its publication.  
**Contents herein do not constitute a warranty and are for reference only.**