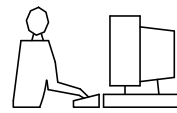
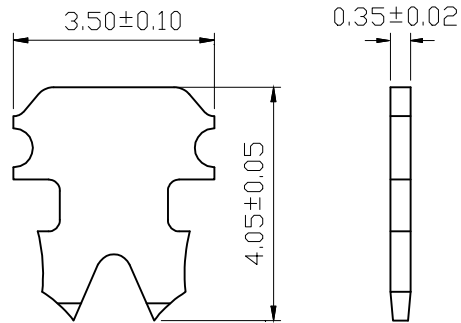
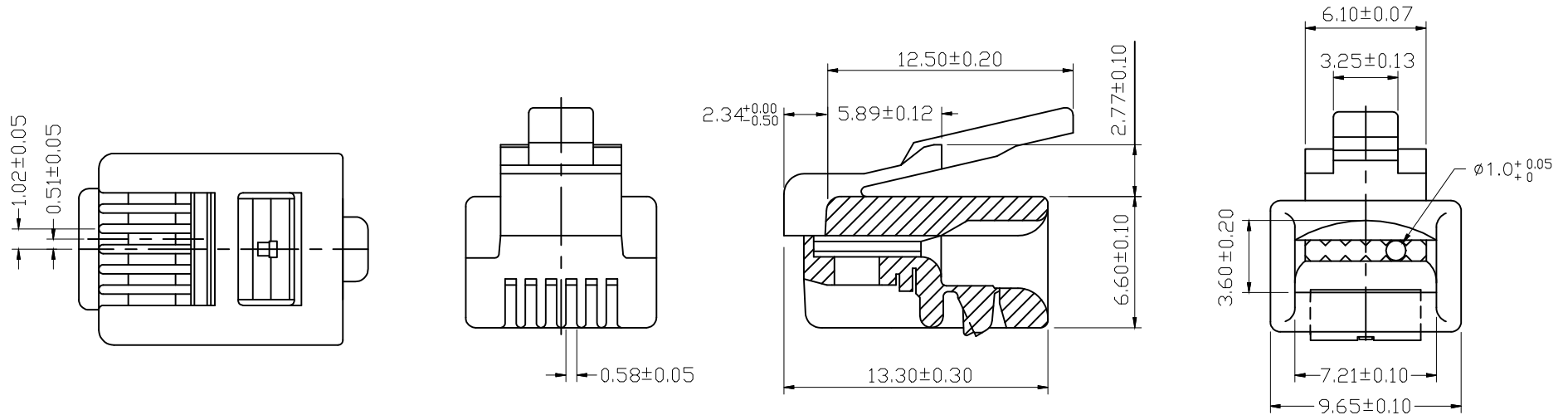


THIS IS A C.A.D. GENERATED DRAWING
DO NOT MAKE MANUAL REVISIONS TO MASTER.



* UNLESS OTHERWISE SPECIFIED TOLERANCES
ON DECIMAL IS:
UNIT: MM



2 PRONGS FOR STRANDED WIRE

MATERIAL :

1. Housing Material: Polycarbonate(PC) UL 94V-2.
2. Contact Type: 2 prongs for STRANDED wire.
3. Gold Plating: 50u" ($\cong 1.27\mu\text{m}$).
4. Contact Material: Phosphor Bronze.

Remark: Available for 24 or 26 AWG wire.

ORDERING INFORMATION

SIZE	P/N - BULK	PRODUCT CODE
6P6C	6510-0104-04	MHRJ126P6CR

THESE DRAWINGS AND SPECIFICATIONS ARE THE PROPERTY OF MH CONNECTORS LTD. AND SHALL NOT BE REPRODUCED, COPIED OR USED AS THE BASIS FOR THE MANUFACTURE OR SALE OF APPARATUS WITHOUT WRITTEN PERMISSION.

DRAWN HALEY	DATE 01-21-14
----------------	------------------

APPROVED DAMIEN	DATE 01-22-14
--------------------	------------------

SCALE	SHEET OF 1 OF 1	REV: 4.0
-------	--------------------	-------------

DRAWING No MHRJ126P6CR

MH CONNECTORS LTD.



THIS SERIES FULLY CONFORMS TO THE EUROPEAN UNION DIRECTIVES 2002/95/EC AND 2002/96/EC FOR RoHS COMPLIANCY.

