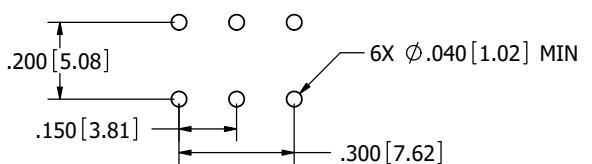
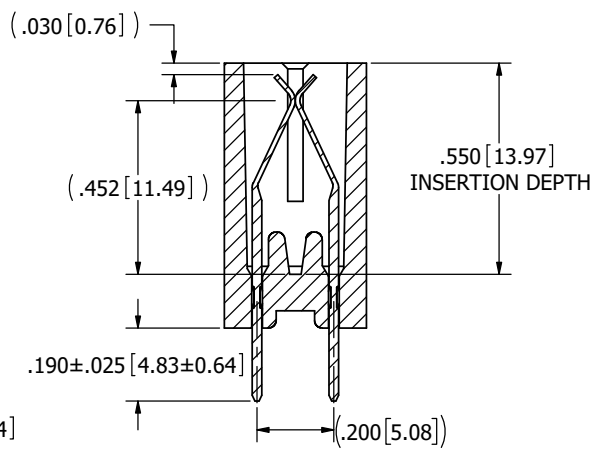
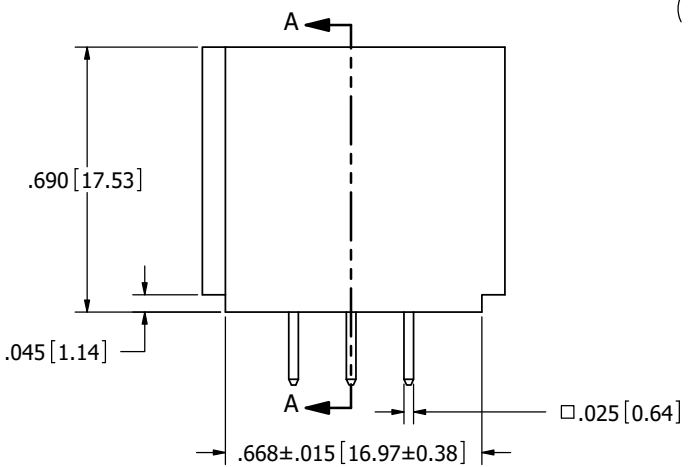
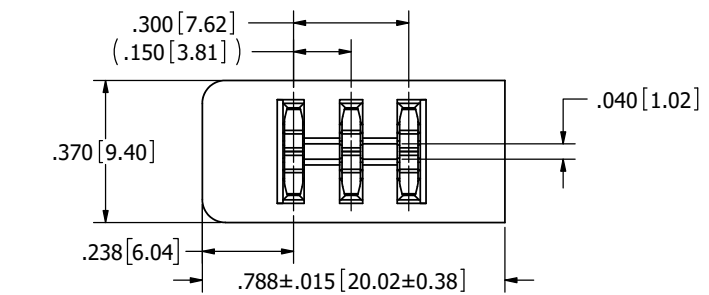


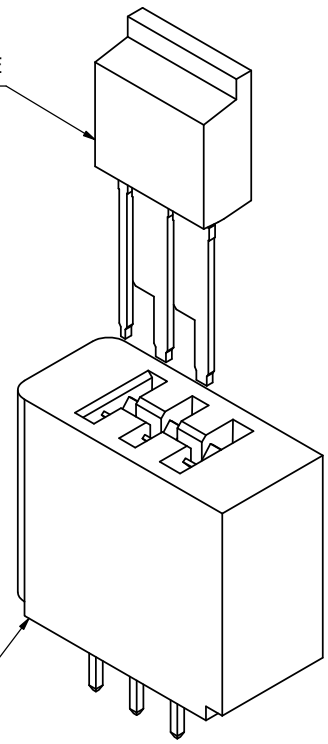
REVISIONS				
REV.	ECO. NO	DESCRIPTION	DATE	BY
A	2187	INITIAL RELEASE	03/01/11	TT
B	2779	ADD TO-262 PACKAGE FOR REF, DIMENSION & UPDATED TITLE & NOTE FORMAT	6/25/2013	JH
C0	4180	ADD S1713	2/21/2020	JH

PRELIMINARY



PCB LAYOUT RECOMMENDED

TO-262 WIDE LEAD PACKAGE
(FOR REF, NOT INCLUDED)



SULLINS P/N:
TCC03DKSN-S1478
TCC03DKSN-S1713
(SEE NOTE 13)

NOTES:

- INSULATOR MATERIAL: BROWN PPS
- CONTACT MATERIAL: BERYLLIUM COPPER
- PLATING: .000050" MIN NICKEL UNDERPLATE
CONTACT SURFACE: .000030" GOLD
TERMINATION: .000100" PURE TIN, MATTE
- OPERATING TEMPERATURE: -65°C TO +175°C
- PROCESSING TEMP: 260°C FOR 20 SECONDS MAX
- UL FLAMMABILITY RATING: 94V-0
- OPERATING VOLTAGE: 850 VAC MINIMUM AT SEA LEVEL
- CURRENT RATING: 3 AMP
- CONTACT RESISTANCE: 30 MILLI OHMS MAX
- INSULATION RESISTANCE: 5000 MEGA OHMS
- DURABILITY: 500 CYCLES MIN
- CONNECTOR IDENTIFICATION: SEE MODIFICATION
- MODIFICATION: NO MOUNTING EARS, ONE SIDE ROUND & ONE SIDE SQUARE, CONTACT CENTER
.150", USE CANTILEVER SHORTING CONTACTS, .690" HEIGHT, .550" INSERTION DEPTH, .370" WIDTH
S1478 = MARK PARTS WITH LOT CODE ONLY
S1713 = MARK PARTS WITH PART NUMBER AND LOT CODE



RoHS COMPLIANT

CUSTOMER COPY

UNLESS OTHERWISE SPECIFIED: DIMENSIONS ARE IN INCHES (MM)		DRAWN	DATE	NAME	
			03/01/11	TT	
TOLERANCES: ANGULAR: ± 1° DECIMALS .XX = ± .02 [5] .XXX = ± .005 [13] .XXXX = ± .0005 [013]					THE INFORMATION HEREIN CONTAINS PROPRIETARY INFORMATION OF SULLINS ELECTRONICS AND IS NOT TO BE REPRODUCED, USED OR DISCLOSED TO OTHERS FOR ANY PURPOSE EXCEPT AS SPECIFICALLY AUTHORIZED IN WRITING BY AN OFFICER OF SULLINS ELECTRONICS.
TITLE					TO-262 WIDE LEAD SOCKET
PART NUMBER					TCC03DKSN-S1478, S1713
SIZE	CAGE CODE	DWG. NO.	REV		
C	54453	C11574	C0		
SCALE: 4:1			SHEET 1 OF 1		