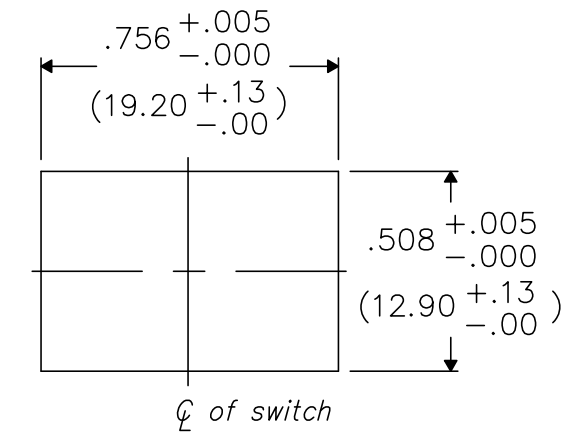
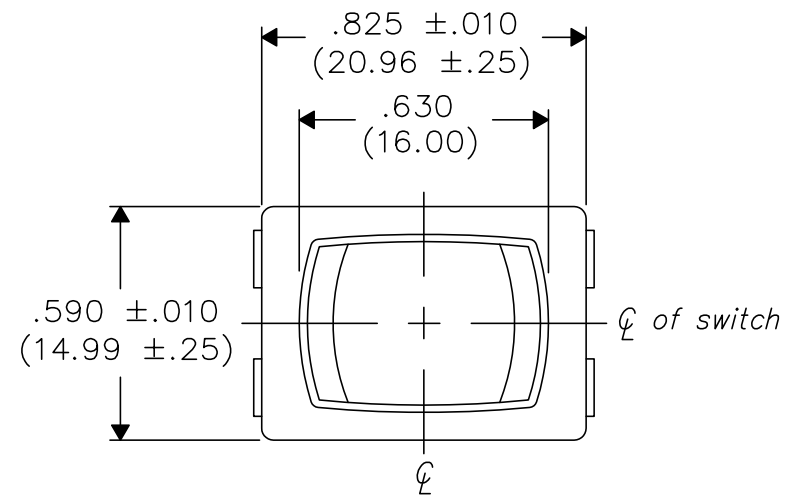
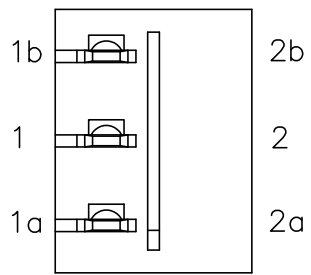


DIMENSIONS IN INCHES (MILLIMETERS)  
DO NOT SCALE DRAWING .....

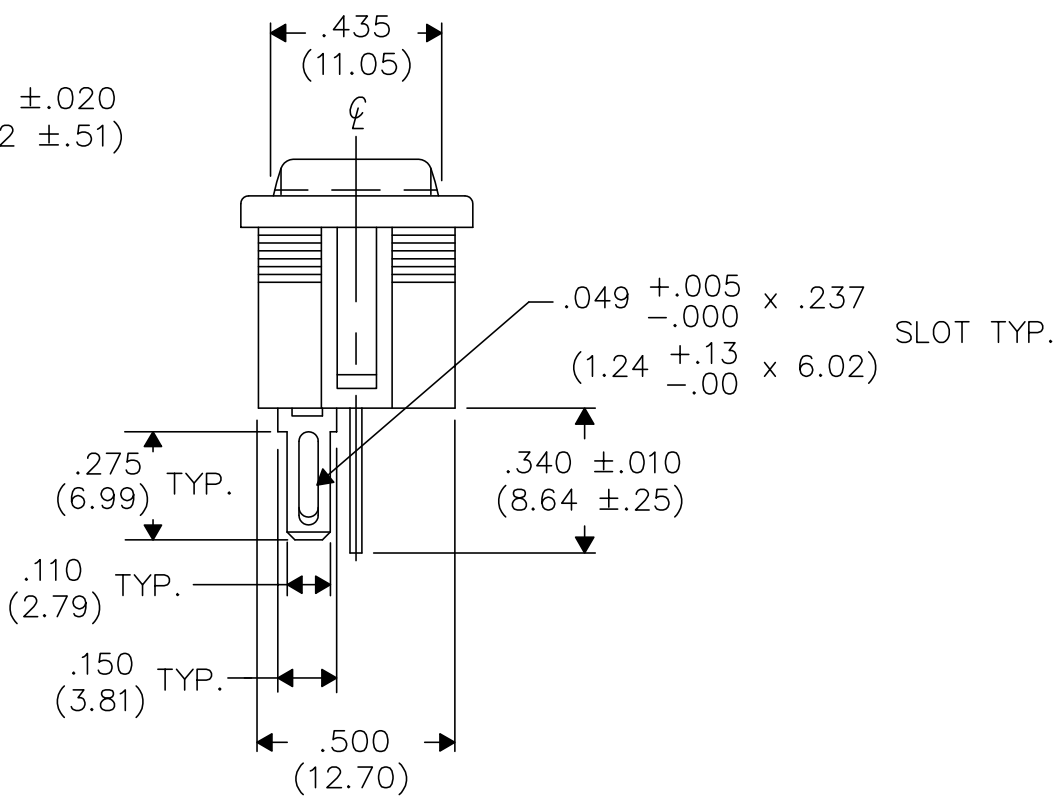
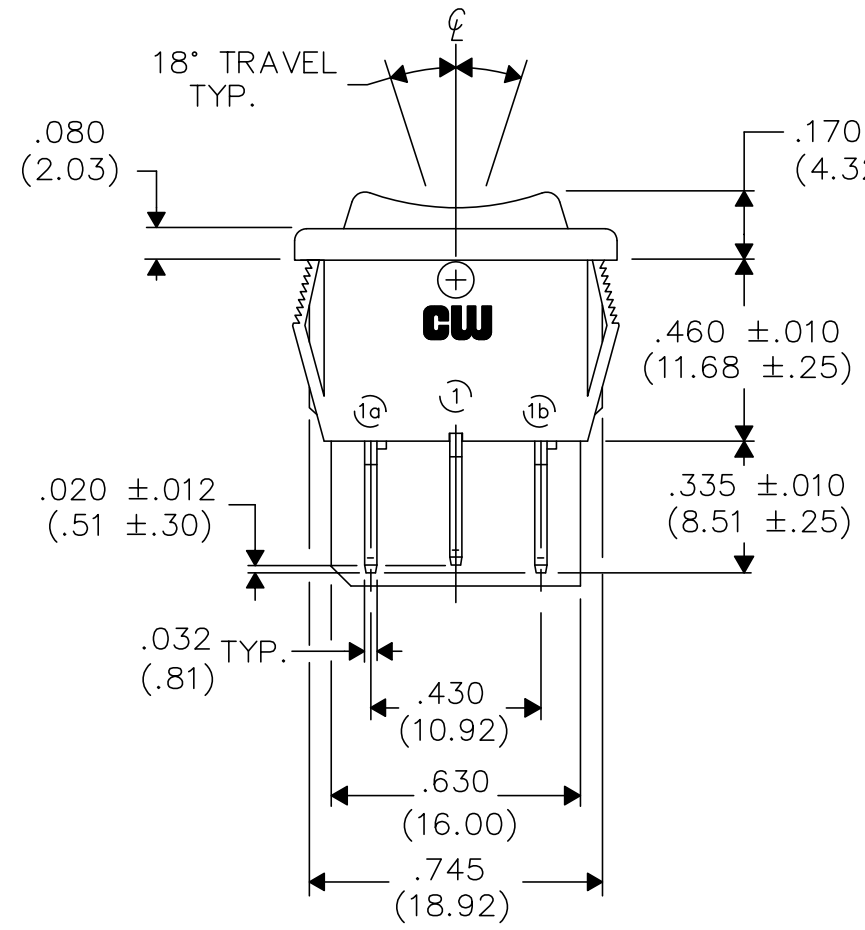
Dwg. No.  
GRS-4013C-0011



PANEL PIERCING



BOTTOM VIEW



1 2 3 4 5 6 7 8 9 10

FORM-B4

REVISIONS

0	RELEASED. DGW 6-11-2002 JUN 13, 2002
---	--

**CW INDUSTRIES**  
Southampton, Pa. 18966

TOLERANCES UNLESS OTHERWISE SPECIFIED

2 Place Decimal ±.010	METRIC
3 Place Decimal ±.005	1 Place Dec. ±.25mm
Angles ..... ±1°	2 Place Dec. ±.13mm

Made for: CW IND.  
Drawn by: DGW 6-11-2002  
Checked by: GG 6-13-2002  
Approval: BF 6-13-2002

Title: ROCKER ASSEMBLY  
ASSEMBLY  
S.P.- CENTER OFF  
(MOM.- OFF- MOM.)

Division: SWITCH

Dwg. No.  
GRS-4013C-0011