

TABLE OF CONTENTS	
SHEET NO.	SHEET DESCRIPTION
1	NOTES AND BOM
2	CONFIGURATIONS
3-4	KEY CONFIGURATIONS
5	RECEPTACLE CONNECTOR ASSEMBLY
6	BACKSHELL NOTES
7	BACKSHELL
8	BACKSHELL CONFIGURATIONS

NOTES: VALID UNLESS OTHERWISE SPECIFIED

1. GENERAL:
- a. APPLICATION SPECIFICATION SEE: AS-33472-100
 -CONTAINS: PRODUCT INTRODUCTION, PRODUCT SUMMARY, CONNECTOR ASSEMBLY, PACKAGING INFORMATION, CONNECTOR MATING, SERVICE INSTRUCTIONS, ELECTRICAL CONTINUITY CHECKING, CRIMPING, AND TROUBLESHOOTING.
 -DESIGNED TO MATE WITH DEVICE OR CONNECTOR AS SPECIFIED IN THE MATING INTERFACE/CONNECTOR DRAWINGS CHART.
 *DENOTES DRAWINGS THAT CAN BE ACCESSED AT <http://ewcap.uscarteams.org/>.
 -ASSEMBLY SHIPPED WITH PLR IN PRE-LOCK POSITION (SEE PLR PRE-LOCK VIEW SHEET 5).

- b. PRODUCT SPECIFICATION SEE:
- STANDARD CONFIGURATION: PS-33471-000
 -UL V0 CONFIGURATION: PS-160105-0001
 CONTAINS: PRODUCT INTRODUCTION, PRODUCT SUMMARY, RATINGS (CURRENT, TEMPERATURE, SEALING, AND FLAMMABILITY), TERMINALS, WIRE DIAMETER RANGE, PRODUCT VALIDATION, AND PRODUCT DEVIATIONS.

c. PACKAGING SPECIFICATION PER MOLEX DRAWING: SEE PACKAGING CHART

d. PARTS MUST BE IN COMPLIANCE TO MOLEX CHEMICAL SUBSTANCES FOR PRODUCTS AND PACKAGING SPECIFICATION: QEHS-699000-301

e. DATA MUST BE SUBMITTED UNDER THE MOLEX PART NUMBER TO IMDS (COMPANY ID#13255)

2. DESIGN - MATERIALS:

- a. FOR BILL OF MATERIALS SEE:
 -STANDARD CONFIGURATION SD-33471-0002
 -UL V0 CONFIGURATION SD-160105-0002

3. DESIGN - GEOMETRY:

a. THE 3-D CAD DATA IS BASIC (WITHOUT TOLERANCE) AND MASTER FOR THIS PART WITH THE EXCEPTION OF UNDERLINED DIMENSIONS. DIMENSIONAL INFORMATION NOT SHOWN ON THIS DRAWING IS DEFINED BY THE DATA FILE AT ITS LATEST REVISION.

b. GEOMETRIC DIMENSIONS AND TOLERANCES PER ASME Y14.5M-2009

c. EDGES AND UNDIMENSIONED DETAILS PER ISO13715

d. CORNERS SHOWN AS SHARP TO BE R 0.2 MAX.

e. LETTERING SHALL BE 0.15 MAX RAISED IN 0.25 MAX RECESS PAD. THIS INCLUDES RECYCLING CODE, CAVITY ID, VENDOR IDENTIFICATION, AND CUSTOMER MATERIAL NUMBER.

f. VISUAL DEFECTS SHALL MEET COSMETIC STANDARD PS-45499-002 (Class B).

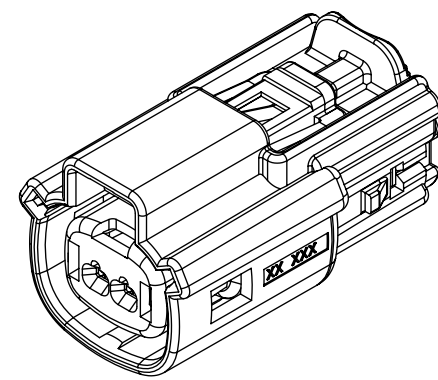
g. LASER MARKING:

- PART NUMBER
- DAY OF THE YEAR
- SHIFT
- YEAR

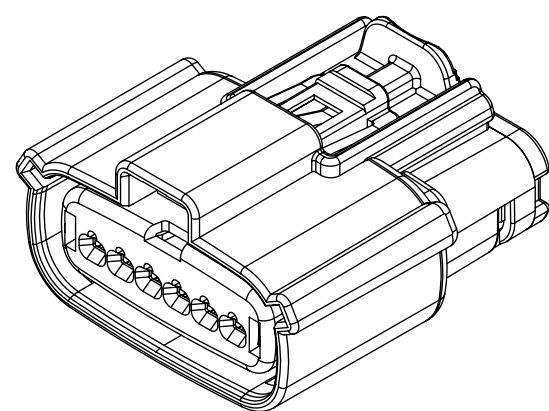
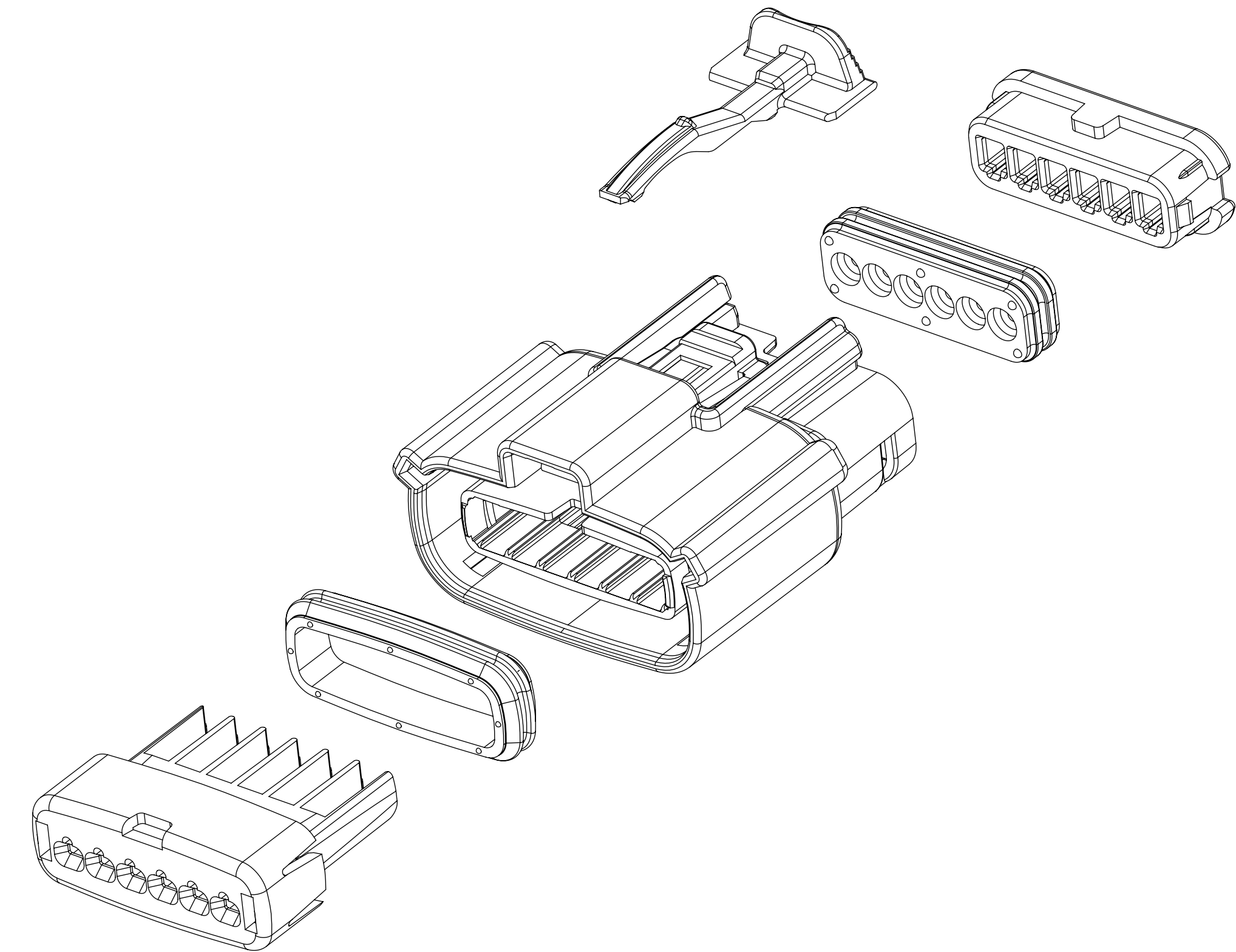
FOR ADDITIONAL INFORMATION SEE SECTION 5 UNDER PROCEDURES IN ES-34735-008.

PACKAGING	
DESCRIPTION	DRAWING NO.
1X2	PK-31300-635
1X6	PK-31300-903

MATING INTERFACE/CONNECTOR DRAWINGS		
DESCRIPTION	INTERFACE DEFINITION	MOLEX INLINE
1X2	*150-S-002-1-Z05	SD-33481-0001
1X6	*150-S-006-1-Z03	SD-33481-0001



1x2



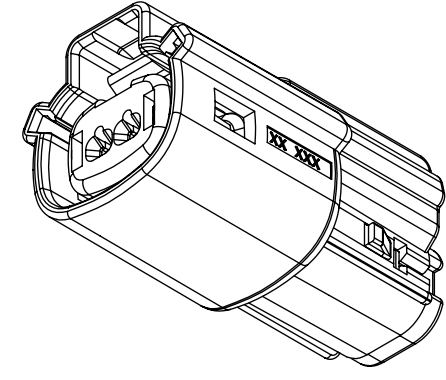
1x6

INSPECTION NUMBER LOG	
REV	REV DESCRIPTION
A1	UPDATED THE DRAWING FRAME
A	MINOR GEOMETRY CHANGE FOR UL V0
2	UPDATE VIEWSETS
1	INITIAL RELEASE

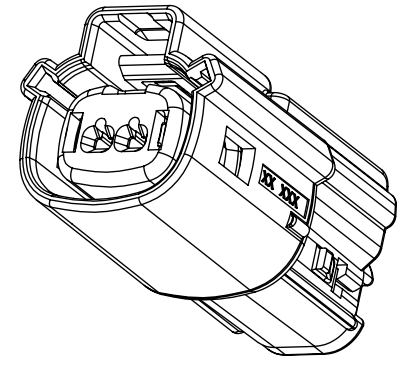
FUNCTIONAL SYMBOLS	THIS DRAWING CONTAINS INFORMATION THAT IS PROPRIETARY TO MOLEX ELECTRONIC TECHNOLOGIES, LLC AND SHOULD NOT BE USED WITHOUT WRITTEN PERMISSION		CURRENT REV DESC:		
	FA = 0	mm	SCALE	1.5:1	
DIVISIONAL SYMBOLS	GENERAL TOLERANCES (UNLESS SPECIFIED)		EC NO: 643941		MX150 RCPT SINGLE ROW SEALED ASSY MAT SEAL PRODUCT CUSTOMER DRAWING
	FC = 0	ANGULAR TOL ± 1.0°		DRWN: XLDONG03 2020/08/21	
DIVISIONAL SYMBOLS	4 PLACES ±		CHK'D: JDENG02 2020/08/26		DOCUMENT NUMBER SD-33471-0001
	3 PLACES ±		APPR: JDENG02 2020/08/26		
DIVISIONAL SYMBOLS	2 PLACES ± 0.1		INITIAL REVISION:		DOC TYPE PSD
	1 PLACE ± 0.2		DRWN: APROFFITT 2015/11/04		
DIVISIONAL SYMBOLS	0 PLACES ±		APPR: KDEKOSHI 2016/06/14		DOC PART 001
	DRAFT WHERE APPLICABLE MUST REMAIN WITHIN DIMENSIONS		THIRD ANGLE PROJECTION		
DRAWING		SERIES		SHEET NUMBER	
D-SIZE		33471		1 OF 8	
MATERIAL NUMBER		CUSTOMER		GENERAL MARKET	
SEE NOTE 2a					

SHEET DESCRIPTION

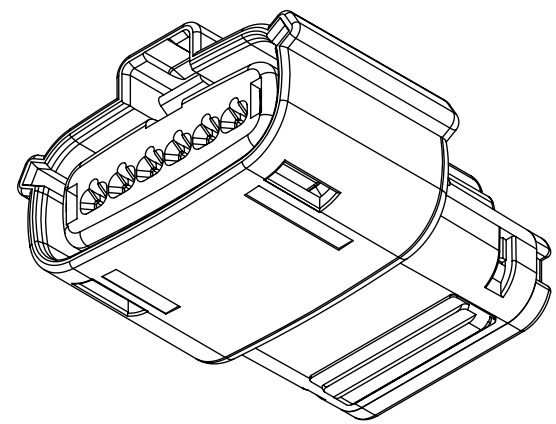
CONFIGURATIONS



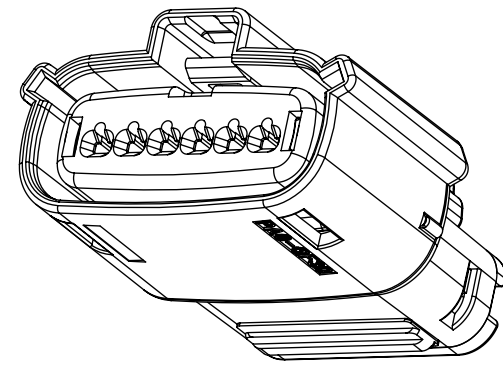
1x2 - STD



1x2 - UL V0*



1x6 - STD



1x6 - UL V0*

*MINOR GEOMETRY DIFFERENCE THAN STANDARD CONFIGURATION
SEE NOTES 1 & 2 FOR MORE INFORMATION

FUNCTIONAL SYMBOLS	THIS DRAWING CONTAINS INFORMATION THAT IS PROPRIETARY TO MOLEX ELECTRONIC TECHNOLOGIES, LLC AND SHOULD NOT BE USED WITHOUT WRITTEN PERMISSION		
	DIMENSION UNITS	SCALE	CURRENT REV DESC:
$\nabla_A = 0$	mm	1.5:1	EC NO: 643941 DRWN: XLDONG03 2020/08/21 CHK'D: JDENG02 2020/08/26 APPR: JDENG02 2020/08/26 INITIAL REVISION: DRWN: APROFFITT 2015/11/04 APPR: KDEKOSKI 2016/06/14
$\nabla_C = 0$	GENERAL TOLERANCES (UNLESS SPECIFIED)		
$\nabla_D = 0$	ANGULAR TOL $\pm 1.0^\circ$		
DIVISIONAL SYMBOLS	4 PLACES	\pm	
	3 PLACES	\pm	
	2 PLACES	± 0.1	
	1 PLACE	± 0.2	
	0 PLACES	\pm	
DRAFT WHERE APPLICABLE MUST REMAIN WITHIN DIMENSIONS		THIRD ANGLE PROJECTION	DRAWING: D-SIZE SERIES: 33471
DOCUMENT STATUS	P1	RELEASE DATE	DOCUMENT NUMBER: SD-33471-0001 DOC TYPE: PSD DOC PART: 001 REVISION: A1
		2020/08/26 07:23:52	MATERIAL NUMBER: SEE NOTE 2a CUSTOMER: GENERAL MARKET SHEET NUMBER: 2 OF 8

molex

MX150 RCPT
SINGLE ROW SEALED ASSY MAT SEAL

PRODUCT CUSTOMER DRAWING

SD-33471-0001

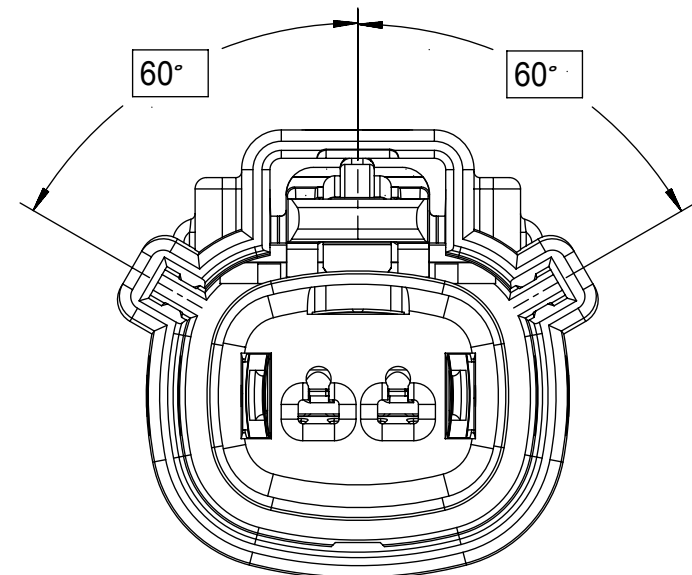
PSD 001 A1

SEE NOTE 2a GENERAL MARKET 2 OF 8

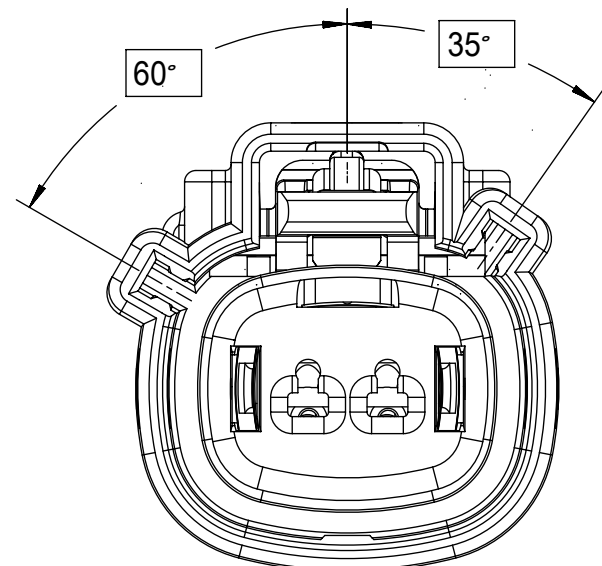
SHEET DESCRIPTION

KEY CONFIGURATIONS

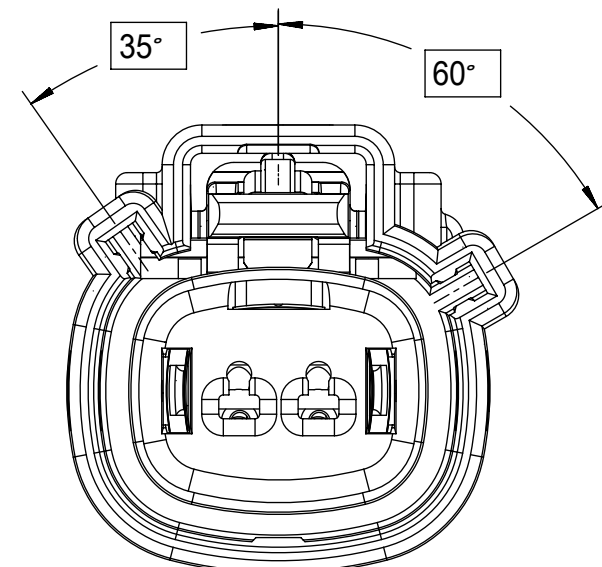
1X2



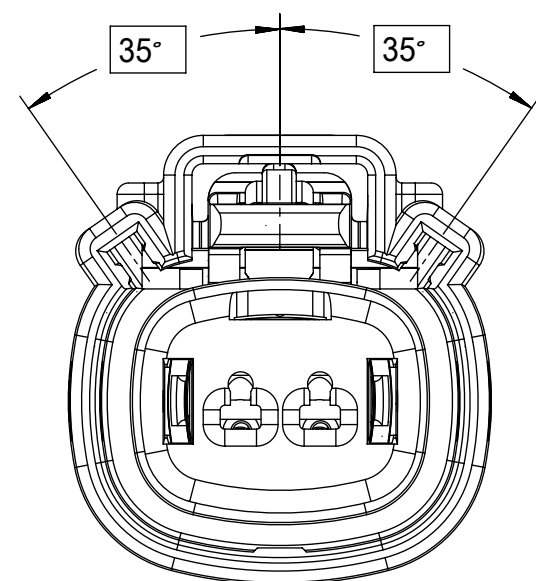
KEY A



KEY B



KEY C



KEY D

FUNCTIONAL SYMBOLS	THIS DRAWING CONTAINS INFORMATION THAT IS PROPRIETARY TO MOLEX ELECTRONIC TECHNOLOGIES, LLC AND SHOULD NOT BE USED WITHOUT WRITTEN PERMISSION		
	DIMENSION UNITS	SCALE	CURRENT REV DESC:
$\nabla_A = 0$	mm	3:1	
$\nabla_C = 0$	GENERAL TOLERANCES (UNLESS SPECIFIED)		
$\nabla_D = 0$	ANGULAR TOL $\pm 1.0^\circ$		
DIVISIONAL SYMBOLS	4 PLACES	\pm	EC NO: 643941
	3 PLACES	\pm	DRWN: XLDONG03 2020/08/21
	2 PLACES	± 0.1	CHK'D: JDENG02 2020/08/26
	1 PLACE	± 0.2	APPR: JDENG02 2020/08/26
	0 PLACES	\pm	INITIAL REVISION: DRWN: APROFFITT 2015/11/04 APPR: KDEKOSKI 2016/06/14
DRAFT WHERE APPLICABLE MUST REMAIN WITHIN DIMENSIONS	THIRD ANGLE PROJECTION	DRAWING	SERIES
		D-SIZE	33471
DOCUMENT STATUS		RELEASE DATE	2020/08/26 07:23:52
P1			
MATERIAL NUMBER		CUSTOMER	SHEET NUMBER
SD-33471-0001		SEE NOTE 2a	GENERAL MARKET 3 OF 8
DOC TYPE		DOC PART	REVISION
PSD		001	A1

molex

MX150 RCPT
SINGLE ROW SEALED ASSY MAT SEAL

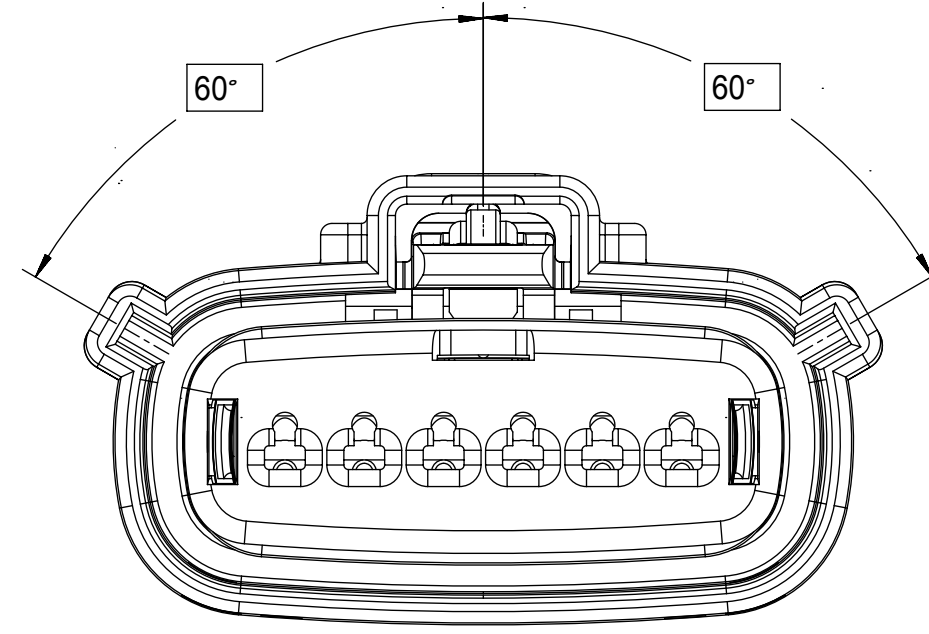
PRODUCT CUSTOMER DRAWING

DOCUMENT NUMBER: SD-33471-0001
DOC TYPE: PSD
DOC PART: 001
REVISION: A1

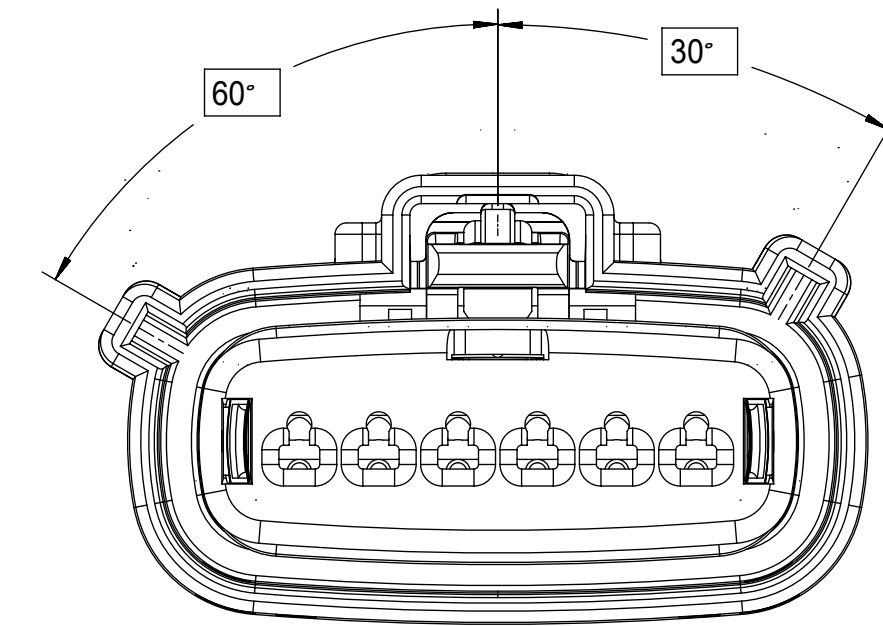
SHEET DESCRIPTION

KEY CONFIGURATIONS CONT.

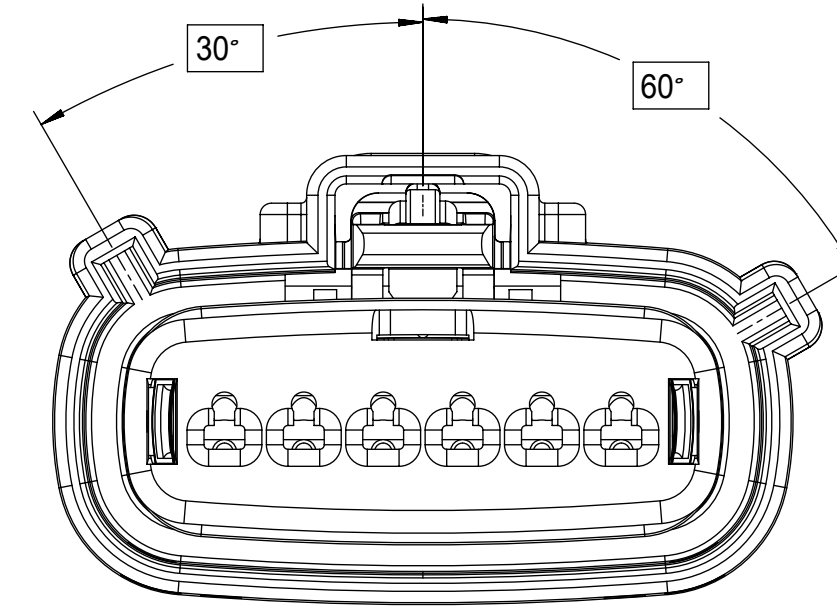
1X6



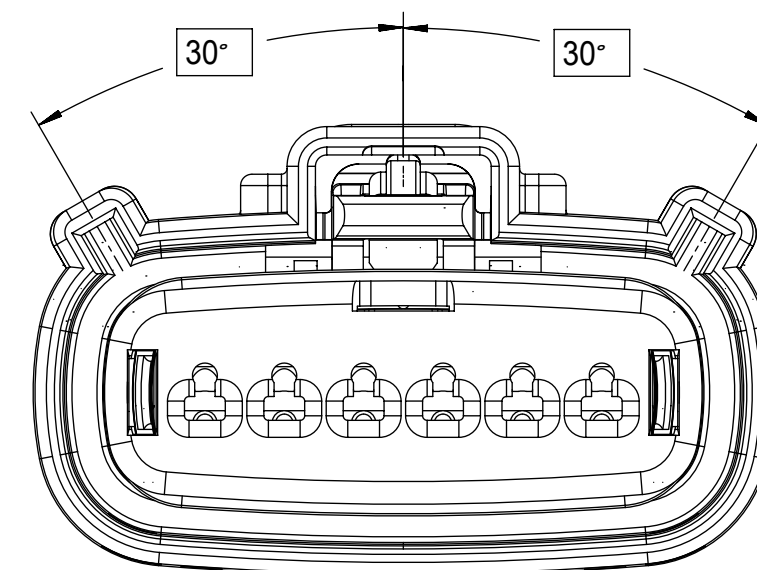
KEY A



KEY B



KEY C



KEY D

FUNCTIONAL SYMBOLS	THIS DRAWING CONTAINS INFORMATION THAT IS PROPRIETARY TO MOLEX ELECTRONIC TECHNOLOGIES, LLC AND SHOULD NOT BE USED WITHOUT WRITTEN PERMISSION		
	DIMENSION UNITS	SCALE	CURRENT REV DESC:
$\nabla_A = 0$	mm	3:1	
$\nabla_C = 0$	GENERAL TOLERANCES (UNLESS SPECIFIED)		
$\nabla_D = 0$	ANGULAR TOL $\pm 1.0^\circ$		
DIVISIONAL SYMBOLS	4 PLACES	\pm	EC NO: 643941
	3 PLACES	\pm	DRWN: XLDONG03 2020/08/21
	2 PLACES	± 0.1	CHK'D: JDENG02 2020/08/26
	1 PLACE	± 0.2	APPR: JDENG02 2020/08/26
	0 PLACES	\pm	INITIAL REVISION: DRWN: APROFFITT 2015/11/04 APPR: KDEKOSKI 2016/06/14
DRAFT WHERE APPLICABLE MUST REMAIN WITHIN DIMENSIONS		THIRD ANGLE PROJECTION	DRAWING SERIES MATERIAL NUMBER CUSTOMER SHEET NUMBER
			D-SIZE 33471 SEE NOTE 2a GENERAL MARKET 4 OF 8

molex

MX150 RCPT
SINGLE ROW SEALED ASSY MAT SEAL

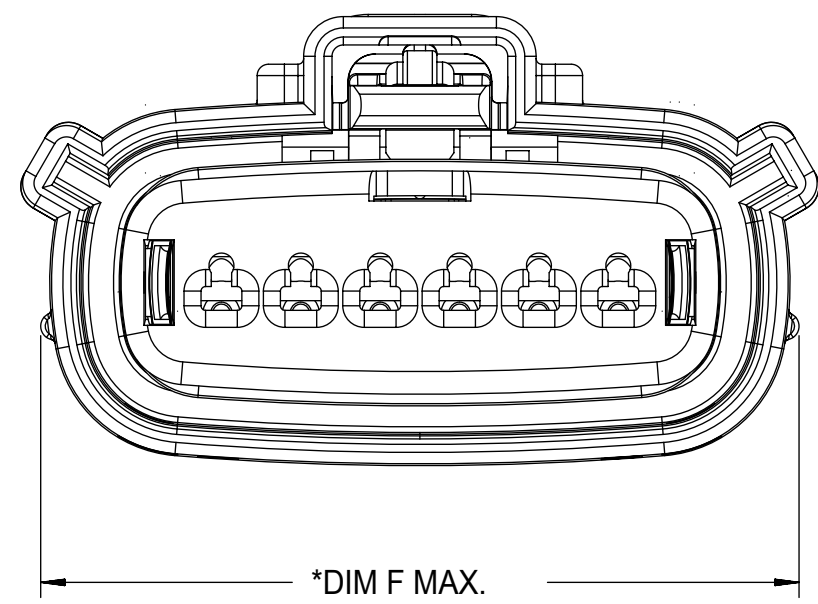
PRODUCT CUSTOMER DRAWING

DOCUMENT NUMBER	DOC TYPE	DOC PART	REVISION
SD-33471-0001	PSD	001	A1

SHEET DESCRIPTION

RECEPTACLE CONNECTOR ASSEMBLY - STD

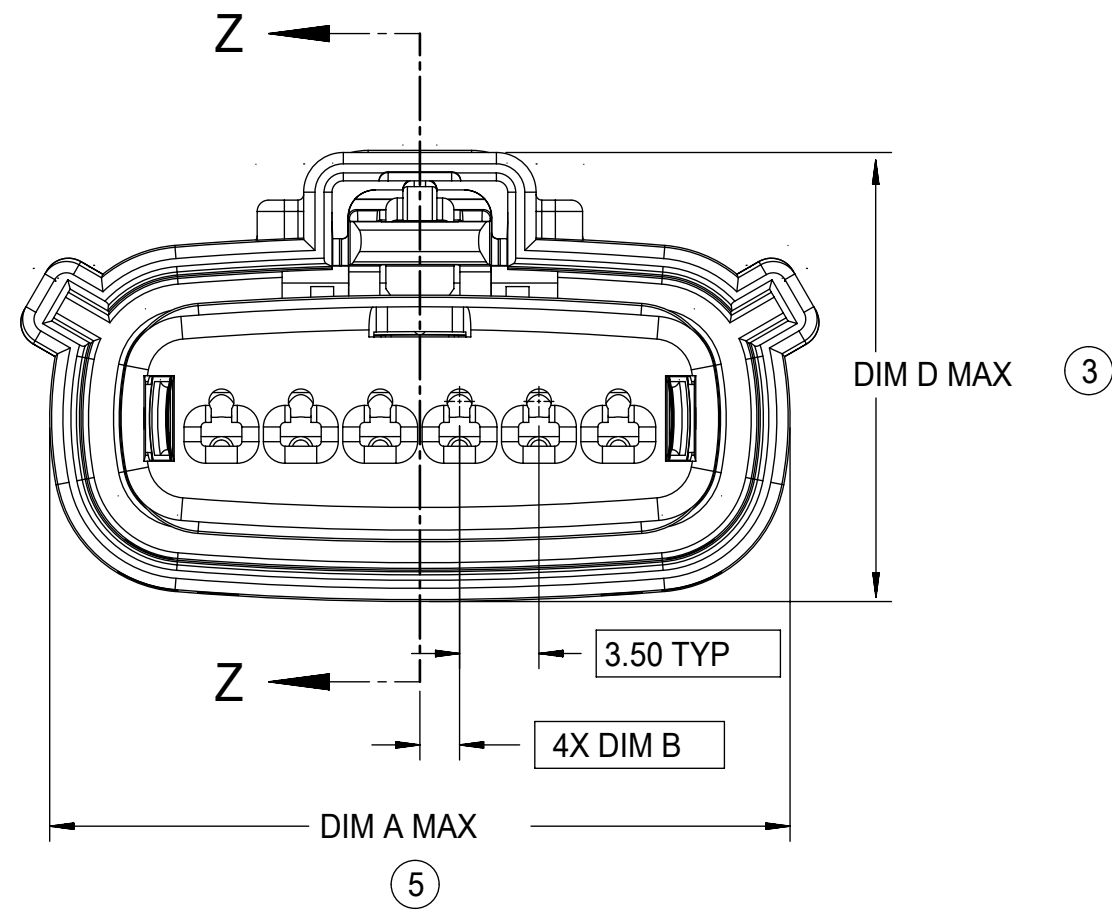
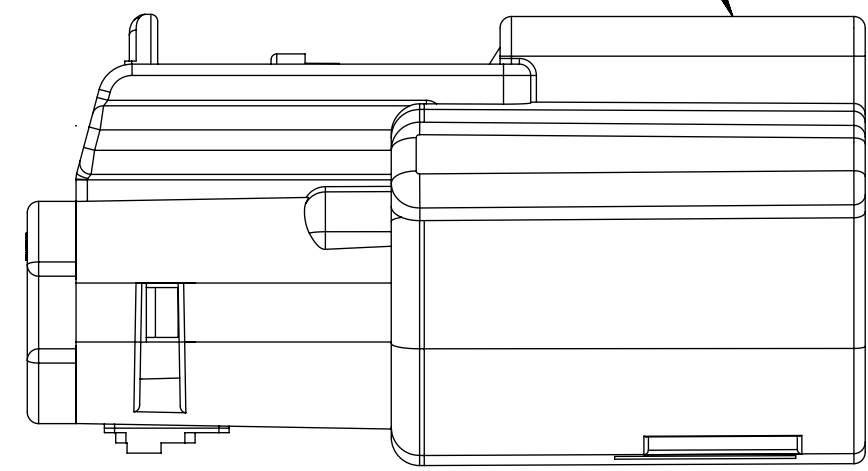
DESCRIPTION	DIMENSIONS					
	A	B	C	D	E	F
1X2	19.40	1.75	21.73	20.55	37.65	19.64
1X6	32.75	1.75	35.21	19.90	37.65	N/A
1X6 UL V0	N/A	1.75	35.23	19.90	37.65	33.64



*DIM F MAX.
*APPLIE TO UL V0 CONFIGURATIONS ONLY

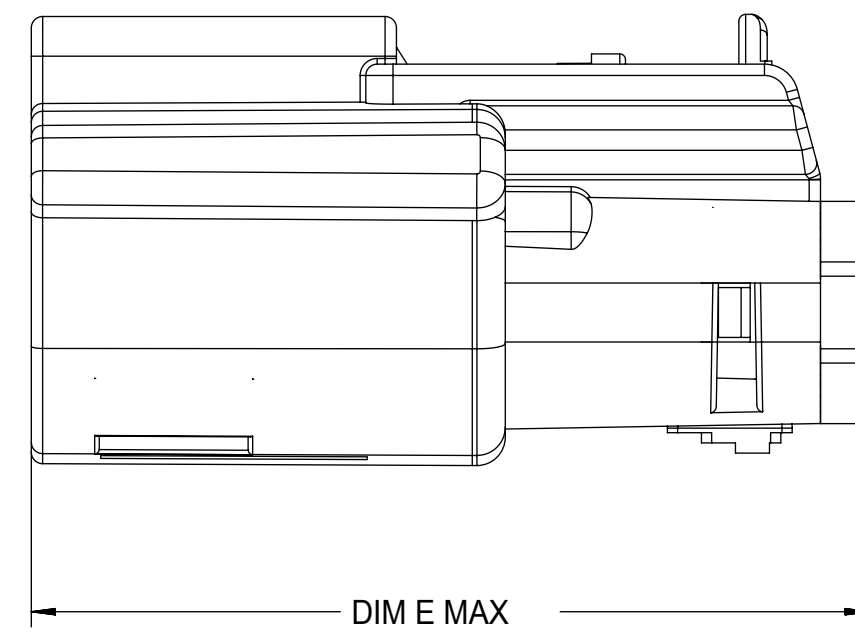
①

LASER MARKING ON THIS SURFACE
SEE NOTE 3g.



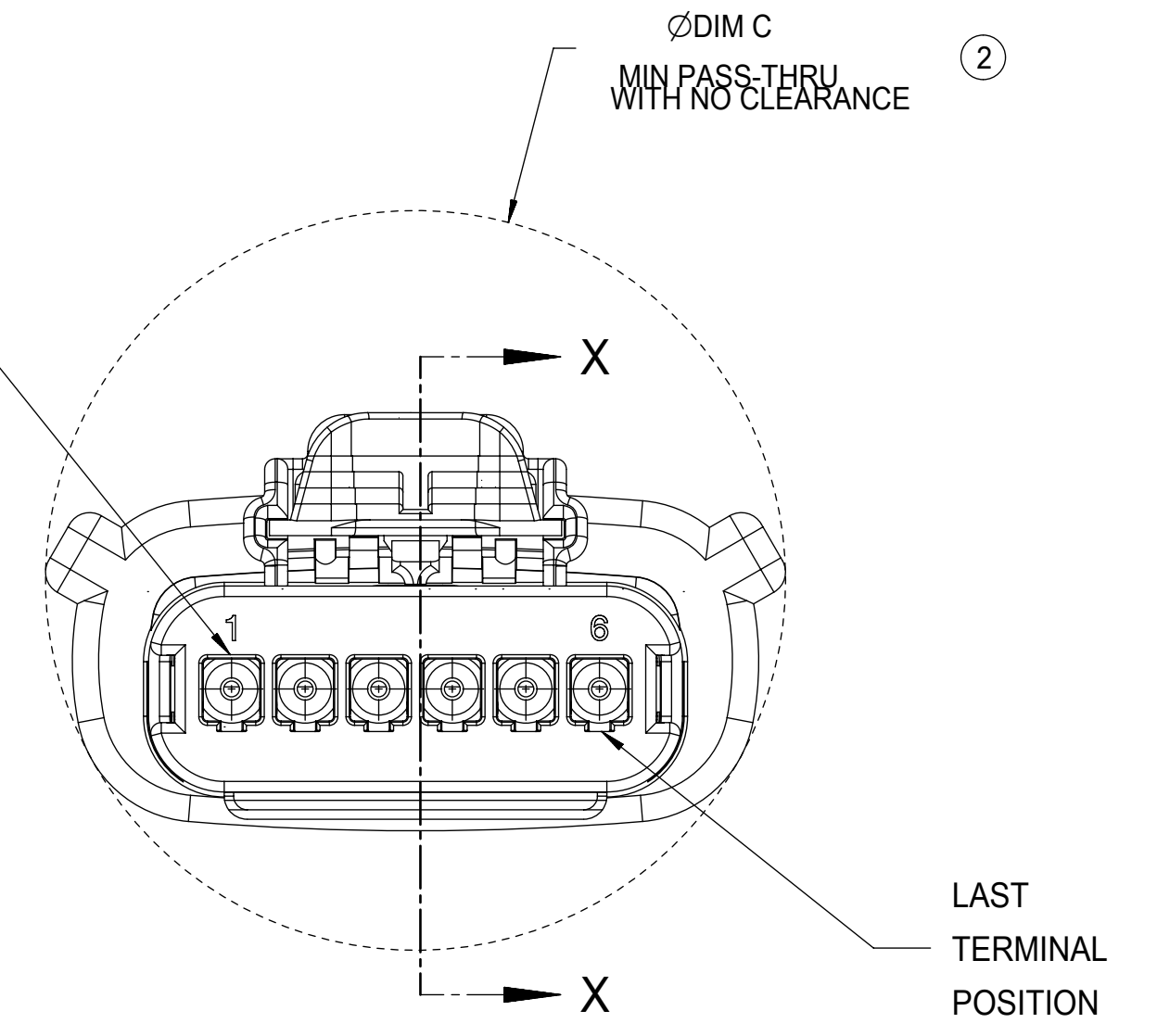
DIM D MAX ③

⑤



DIM E MAX ①

TERMINAL
POSITION 1



ØDIM C
MIN PASS-THRU
WITH NO CLEARANCE ②

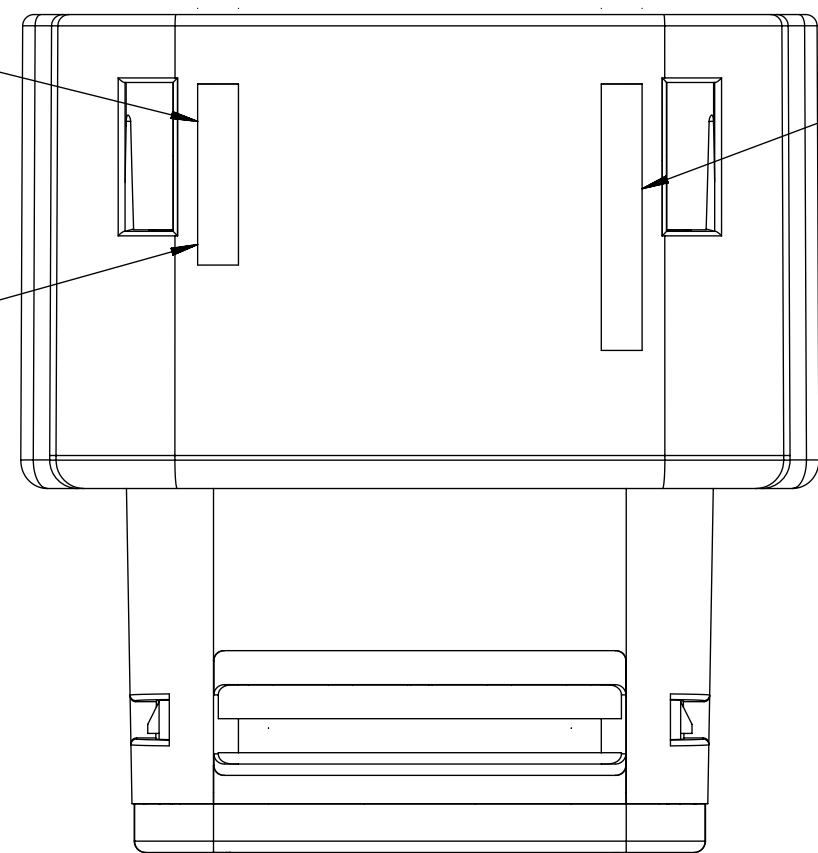
LAST
TERMINAL
POSITION

REAR VIEW
(WIRE HARNESS SIDE)

MOLD CAVITY I.D.
THIS LOCATION

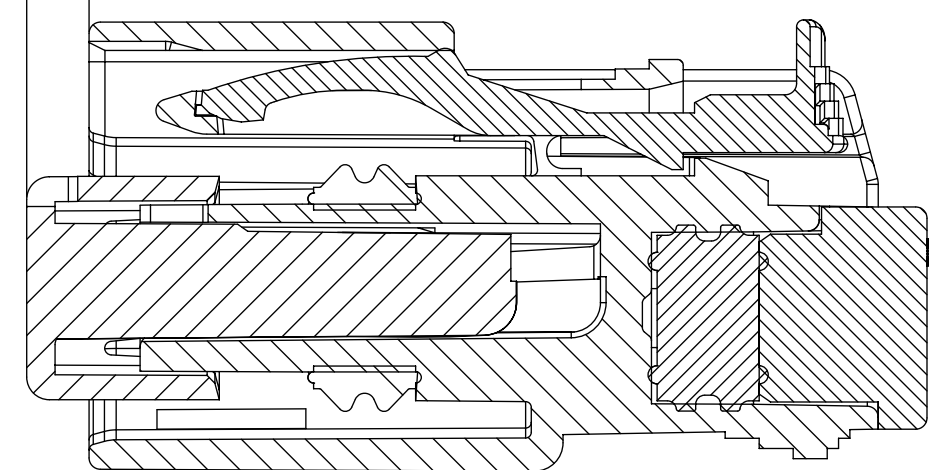
RECYCLE CODE
THIS LOCATION

MANUFACTURING LOCATION
CODE THIS LOCATION



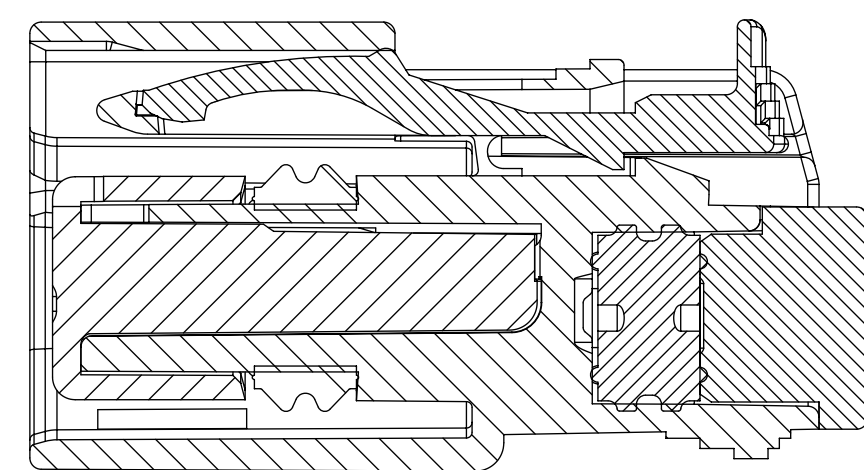
2.75±0.50

⑥



PRIMARY LOCK REINFORCEMENT (PLR) SHOWN
IN PRE-STAGED POSITION

SECTION Z-Z



PRIMARY LOCK REINFORCEMENT (PLR) SHOWN
IN FINAL-LOCK POSITION

SECTION X-X

FUNCTIONAL SYMBOLS	THIS DRAWING CONTAINS INFORMATION THAT IS PROPRIETARY TO MOLEX ELECTRONIC TECHNOLOGIES, LLC AND SHOULD NOT BE USED WITHOUT WRITTEN PERMISSION					
	DIMENSION UNITS	SCALE	CURRENT REV DESC:			
FA = 0	mm	3:1	EC NO: 643941			
FC = 0	GENERAL TOLERANCES (UNLESS SPECIFIED)		DRWN: XLDONG03 2020/08/21			
FD = 0	ANGULAR TOL ± 1.0°		CHK'D: JDENG02 2020/08/26			
DIVISIONAL SYMBOLS	4 PLACES	±	APPR: JDENG02 2020/08/26			
	3 PLACES	±	INITIAL REVISION:			
	2 PLACES	± 0.1	DRWN: APROFFITT 2015/11/04			
	1 PLACE	± 0.2	APPR: KDEKOSKI 2016/06/14			
0 PLACES	±	DRAFT WHERE APPLICABLE MUST REMAIN WITHIN DIMENSIONS				
THIRD ANGLE PROJECTION		DRAWING	SERIES	MATERIAL NUMBER	CUSTOMER	SHEET NUMBER
③		D-SIZE	33471	SEE NOTE 2a	GENERAL MARKET	5 OF 8

molex

MX150 RCPT
SINGLE ROW SEALED ASSY MAT SEAL

PRODUCT CUSTOMER DRAWING

DOCUMENT NUMBER	DOC TYPE	DOC PART	REVISION
SD-33471-0001	PSD	001	A1

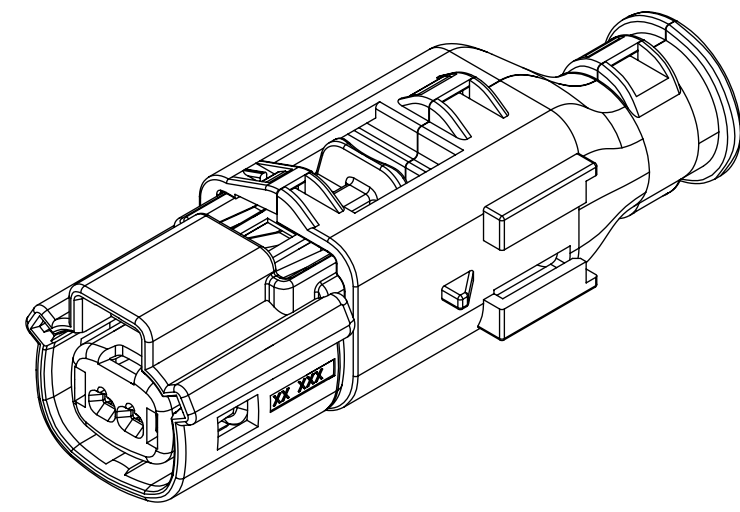
SHEET DESCRIPTION

BACKSHELL NOTES

BACKSHELL NOTES: VALID UNLESS OTHERWISE SPECIFIED

1. GENERAL:

- a. APPLICATION SPECIFICATION SEE: AS-34951-001
 - DESIGNED TO MATE WITH RECEPTACLE SEALED ASSEMBLY SPECIFIED IN MOLEX DRAWING SD-33471-0001.
 - SYSTEM TO BE USED WITH WIRE WITHIN DIAMETER RANGE OF 1.2mm TO 2.69mm.
 - COMPONENTS ARE OPTIONAL AND MUST BE PURCHASED SEPERATELY.
 - BACKSHELL DESIGN IS OWNED BY SCHLEMMER.
 - FOR ADDITIONAL INFORMATION SEE THE BACKSHELL COMPONENT DRAWING SD-34949-0001.



1X2

BACKSHELL CUSTOMER MODEL NUMBER LEGEND

34949-XXXX

CUSTOMER MODEL COMPONENTS

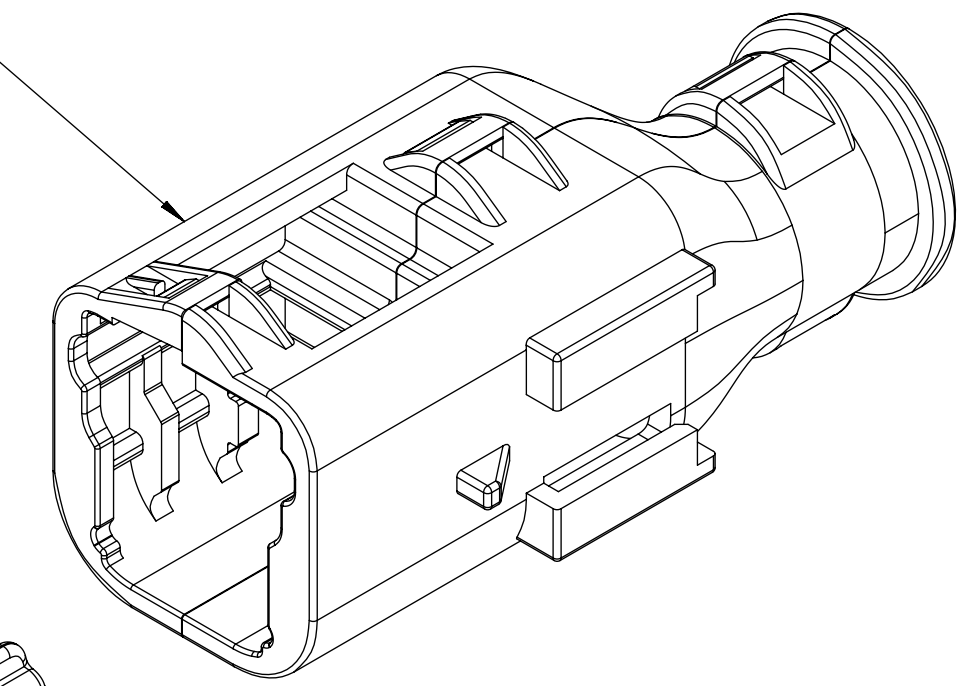
- 0 - BACKSHELL ONLY
- 1 - BACKSHELL & MX150 HOUSING KEY A ASSEMBLY
- 2 - BACKSHELL & MX150 HOUSING KEY B ASSEMBLY
- 3 - BACKSHELL & MX150 HOUSING KEY C ASSEMBLY
- 4 - BACKSHELL & MX150 HOUSING KEY D ASSEMBLY

BACKSHELL FEATURES

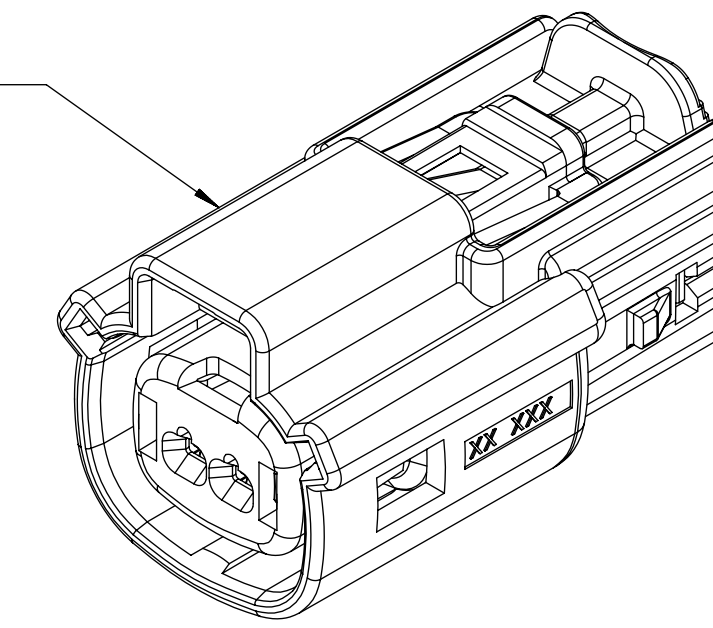
- 1 - WITH RIBS
- 2 - WITHOUT RIBS

MX150 CIRCUIT SIZE 02, 03, 04, 05, 06

BACKSHELL (BKS)



RECEPTACLE SEALED ASSEMBLY



FUNCTIONAL SYMBOLS	THIS DRAWING CONTAINS INFORMATION THAT IS PROPRIETARY TO MOLEX ELECTRONIC TECHNOLOGIES, LLC AND SHOULD NOT BE USED WITHOUT WRITTEN PERMISSION		
	DIMENSION UNITS	SCALE	CURRENT REV DESC:
$\nabla_A = 0$	mm	4:1	EC NO: 643941 DRWN: XLDONG03 2020/08/21 CHK'D: JDENG02 2020/08/26 APPR: JDENG02 2020/08/26
$\nabla_C = 0$	GENERAL TOLERANCES (UNLESS SPECIFIED)		
$\nabla_D = 0$	ANGULAR TOL $\pm 1.0^\circ$		INITIAL REVISION: DRWN: APROFFITT 2015/11/04 APPR: KDEKOSKI 2016/06/14
DIVISIONAL SYMBOLS	4 PLACES	\pm	
	3 PLACES	\pm	DOCUMENT NUMBER SD-33471-0001 DOC TYPE PSD DOC PART 001 REVISION A1
	2 PLACES	± 0.1	
	1 PLACE	± 0.2	MATERIAL NUMBER SEE NOTE 2a CUSTOMER GENERAL MARKET SHEET NUMBER 6 OF 8
	0 PLACES	\pm	
DRAFT WHERE APPLICABLE MUST REMAIN WITHIN DIMENSIONS		THIRD ANGLE PROJECTION	DRAWING D-SIZE
		SERIES 33471	

molex

MX150 RCPT
SINGLE ROW SEALED ASSY MAT SEAL

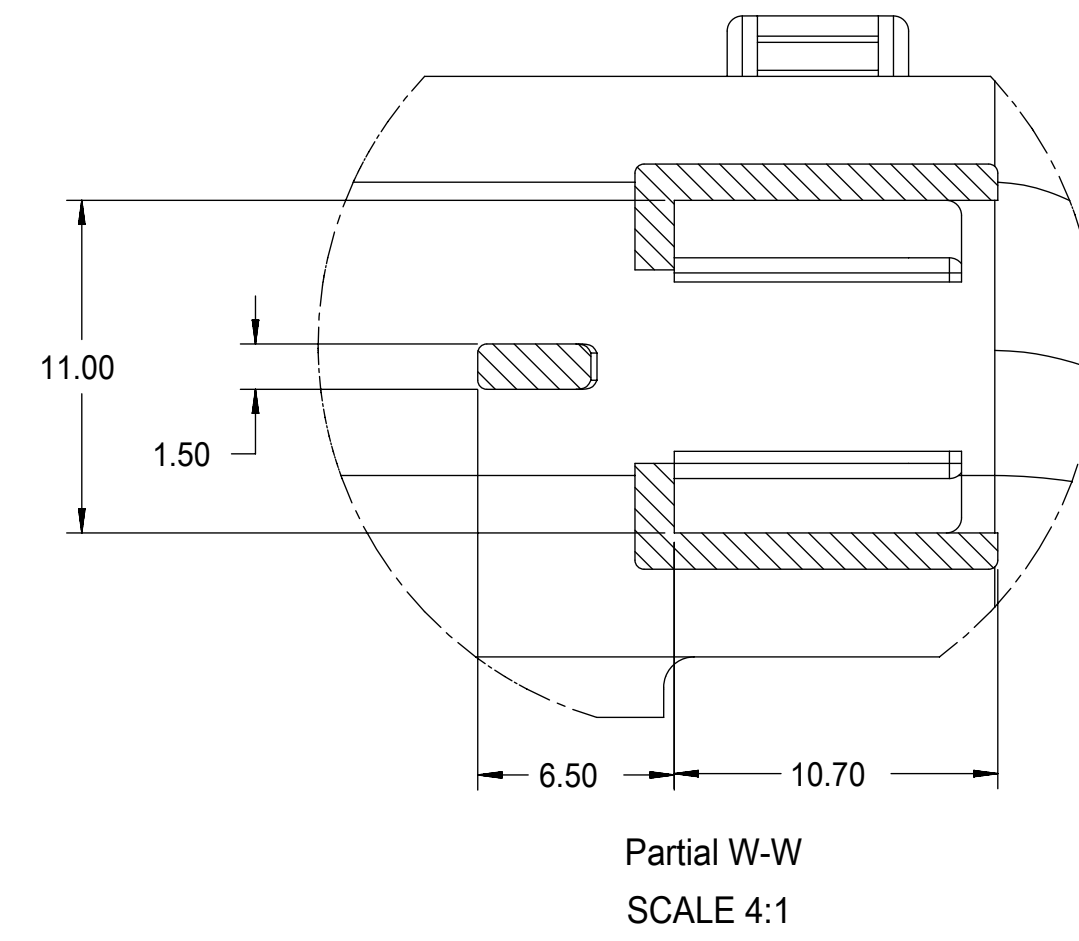
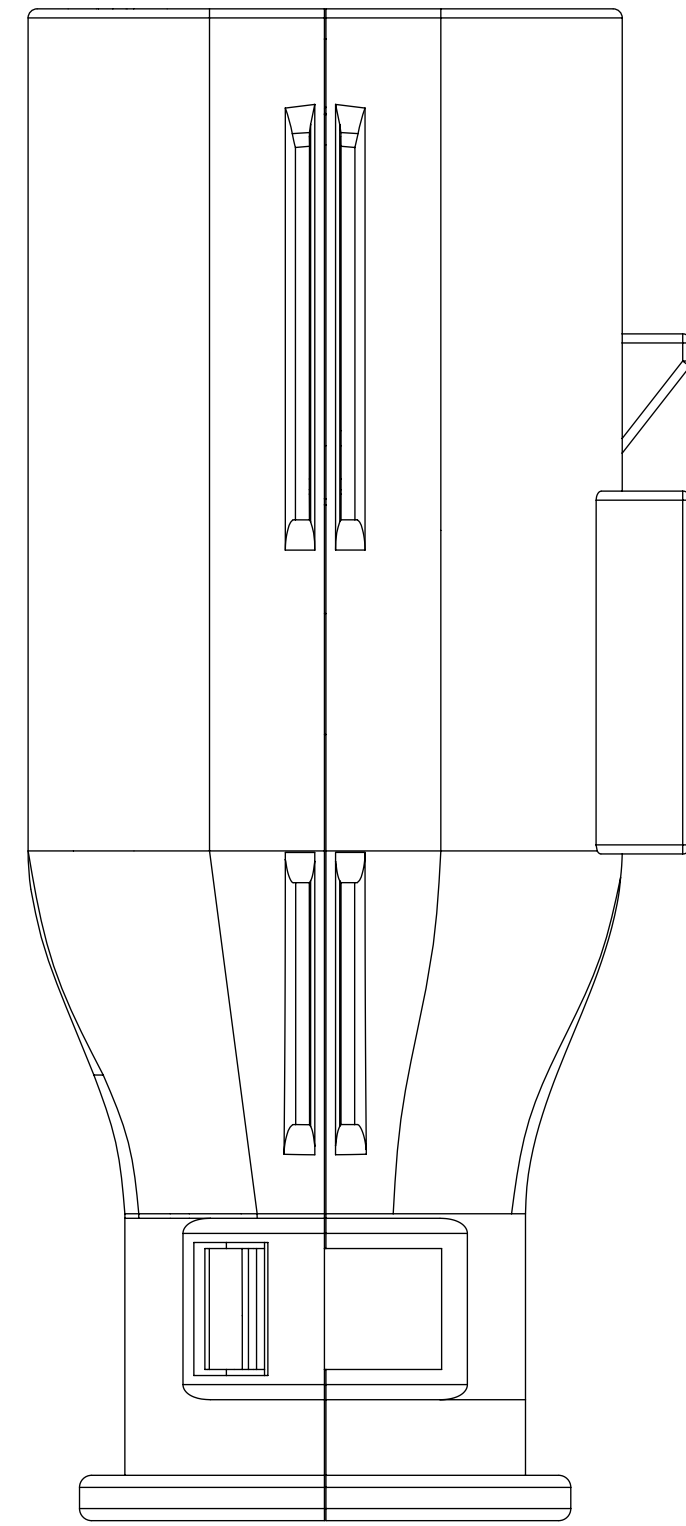
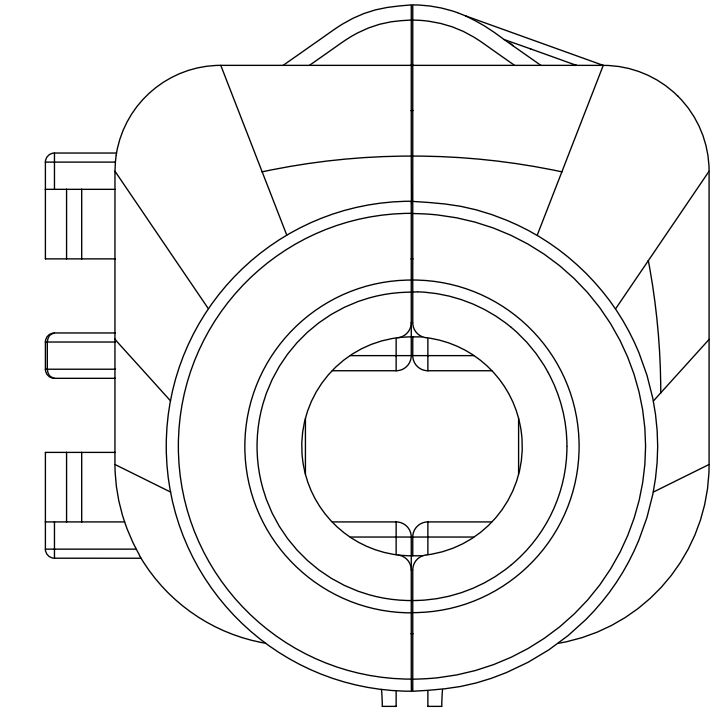
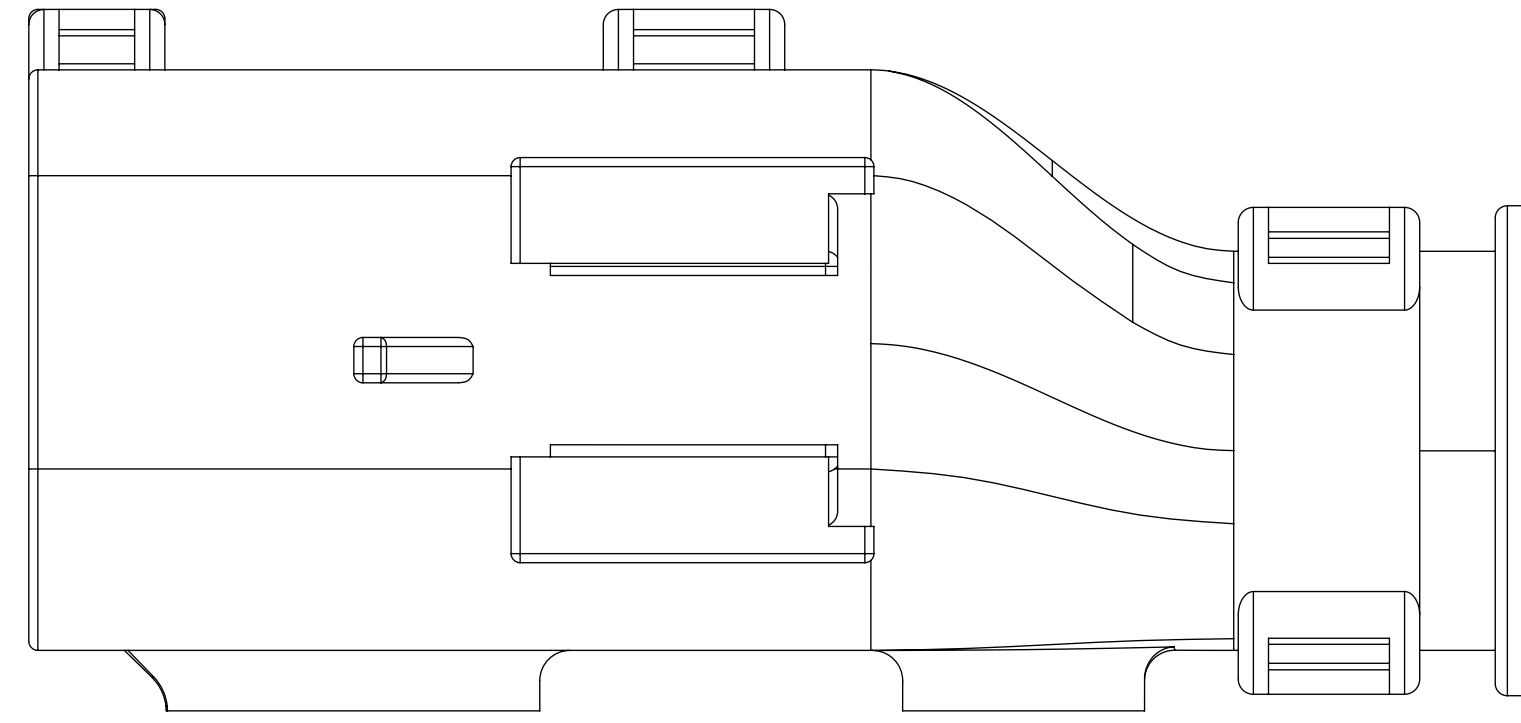
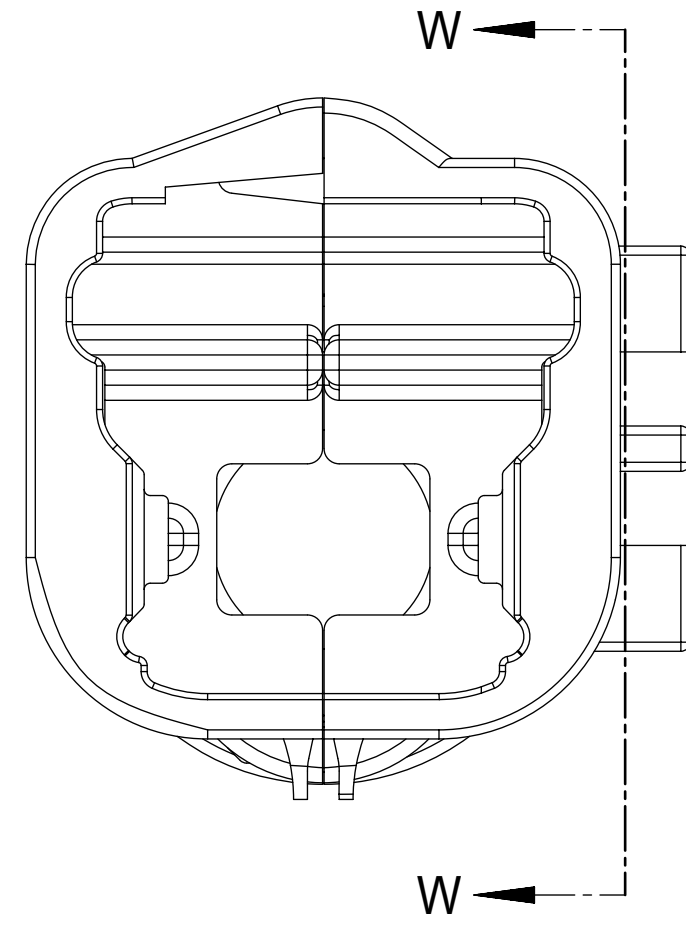
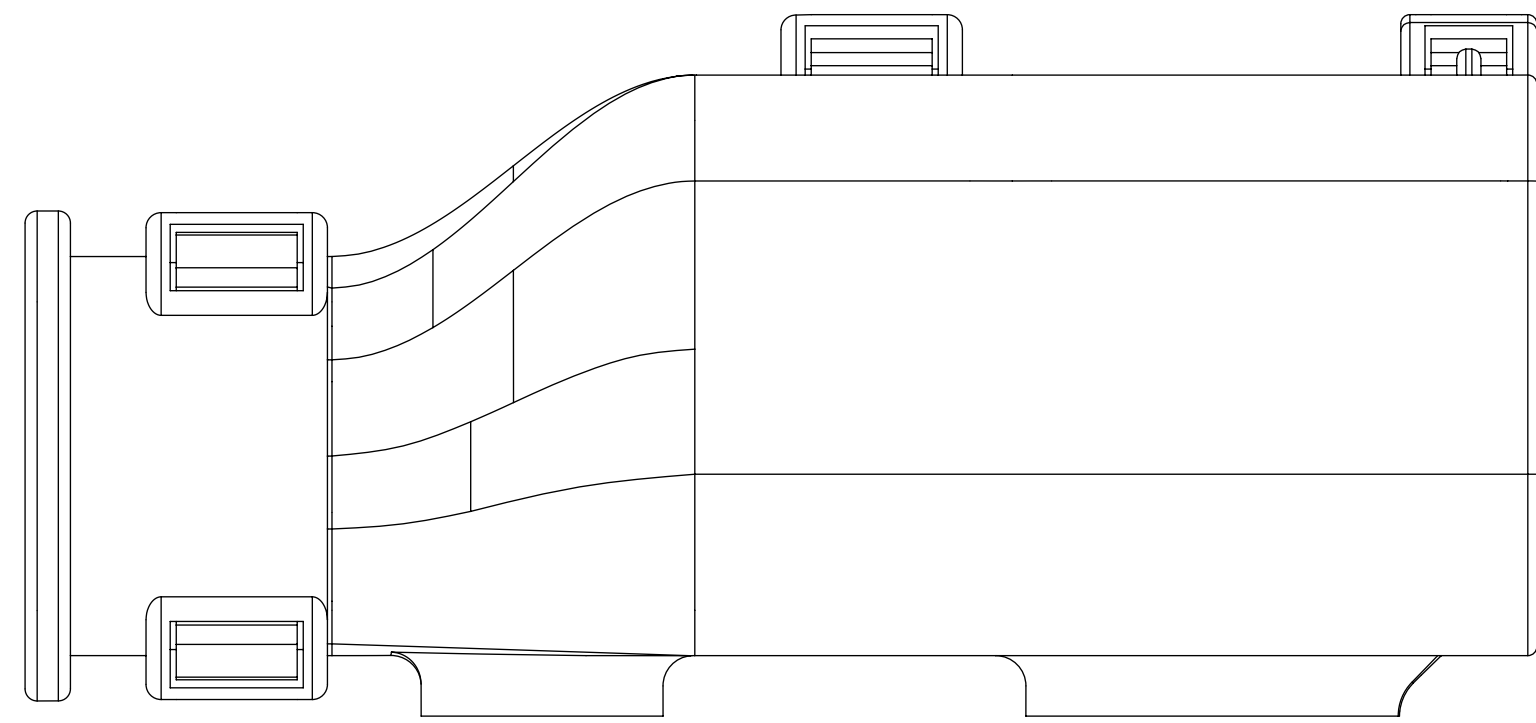
PRODUCT CUSTOMER DRAWING

DOCUMENT NUMBER
SD-33471-0001
DOC TYPE
PSD
DOC PART
001
REVISION
A1

MATERIAL NUMBER
SEE NOTE 2a
CUSTOMER
GENERAL MARKET
SHEET NUMBER
6 OF 8

SHEET DESCRIPTION

BACKSHELL



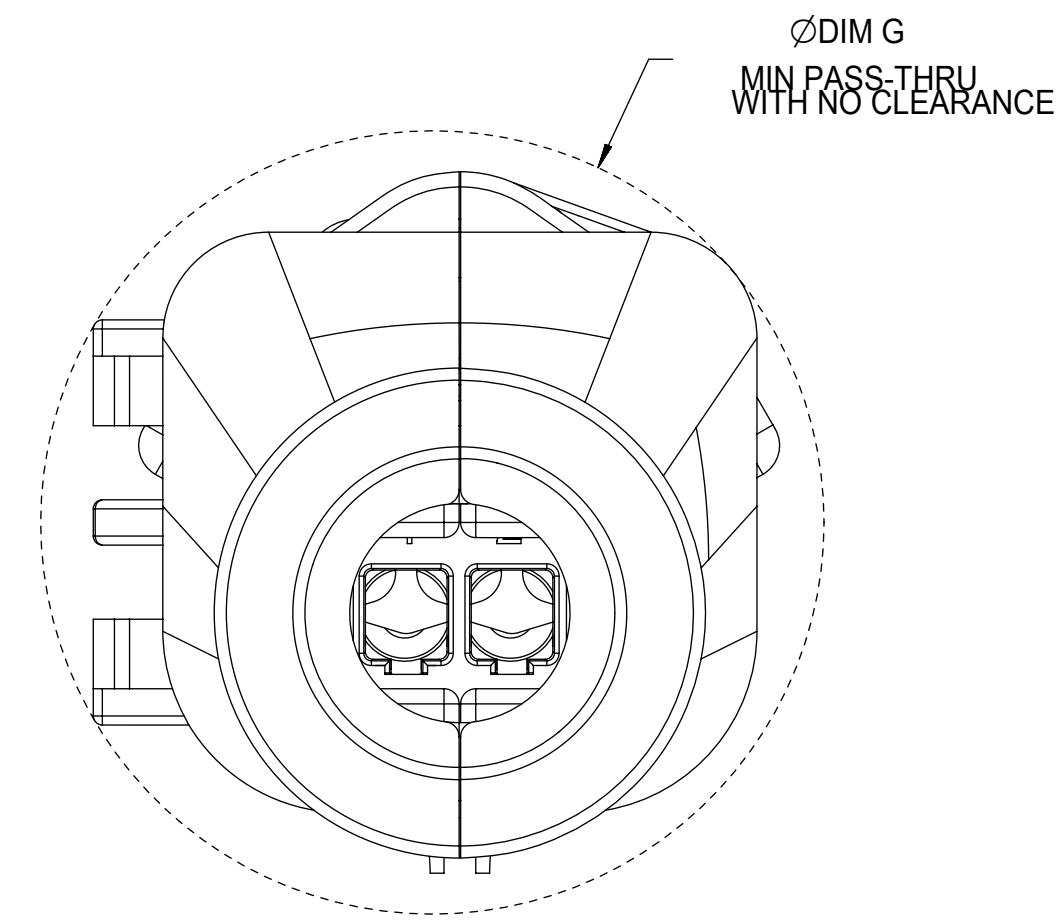
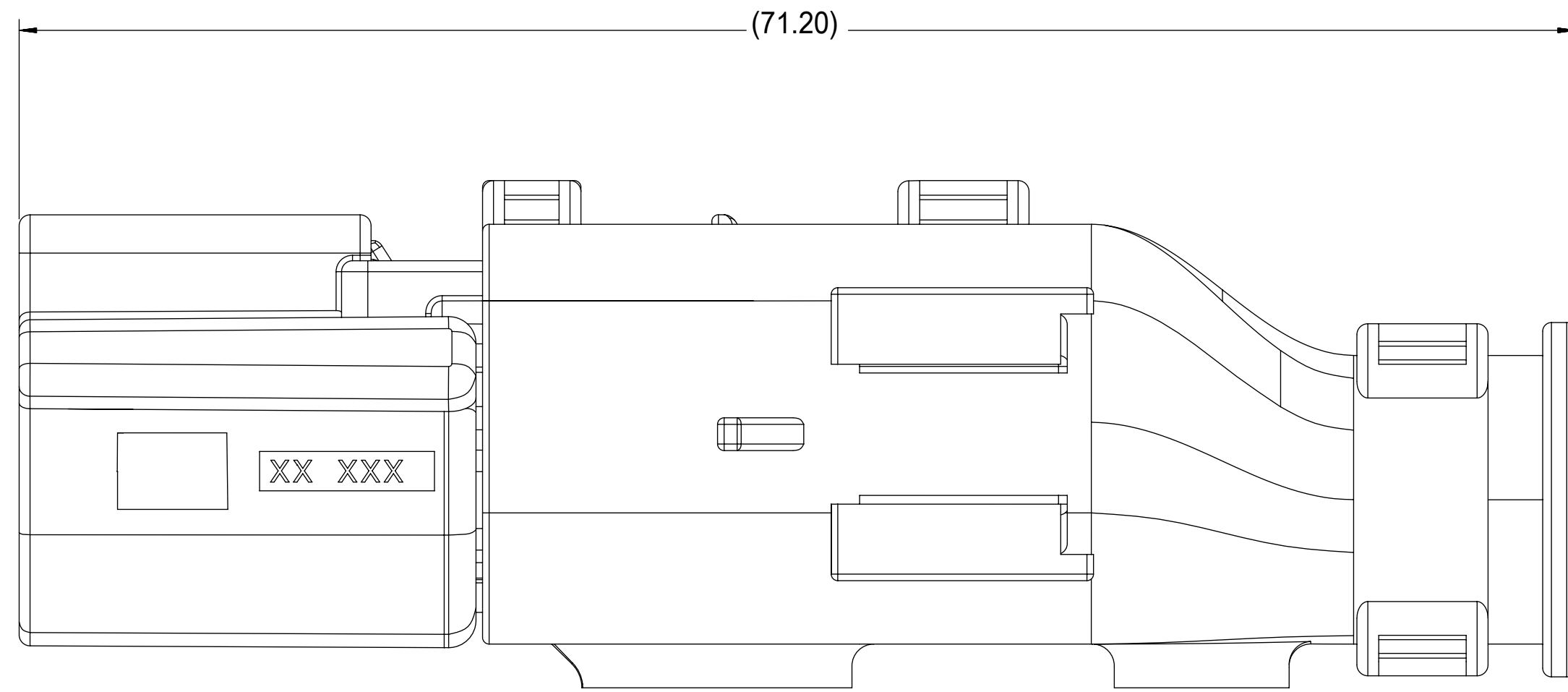
FUNCTIONAL SYMBOLS $\nabla_A = 0$ $\nabla_C = 0$ $\nabla_P = 0$	THIS DRAWING CONTAINS INFORMATION THAT IS PROPRIETARY TO MOLEX ELECTRONIC TECHNOLOGIES, LLC AND SHOULD NOT BE USED WITHOUT WRITTEN PERMISSION		DIMENSION UNITS: mm		SCALE: 4:1	CURRENT REV DESC:					
	GENERAL TOLERANCES (UNLESS SPECIFIED)		ANGULAR TOL $\pm 1.0^\circ$		EC NO: 643941 DRWN: XLDONG03 2020/08/21 CHK'D: JDENG02 2020/08/26 APPR: JDENG02 2020/08/26		MX150 RCPT SINGLE ROW SEALED ASSY MAT SEAL				
	DIVISIONAL SYMBOLS		4 PLACES \pm 3 PLACES \pm 2 PLACES ± 0.1 1 PLACE ± 0.2 0 PLACES \pm		INITIAL REVISION: DRWN: APROFFITT 2015/11/04 APPR: KDEKOSKI 2016/06/14		PRODUCT CUSTOMER DRAWING				
	DRAFT WHERE APPLICABLE MUST REMAIN WITHIN DIMENSIONS		THIRD ANGLE PROJECTION		DRAWING: D-SIZE	SERIES: 33471	MATERIAL NUMBER: SEE NOTE 2a	CUSTOMER: GENERAL MARKET	DOCUMENT NUMBER: SD-33471-0001	DOC TYPE: PSD	DOC PART: 001

SHEET DESCRIPTION

BACKSHELL CONFIGURATIONS

CHARTED DIMENSIONS

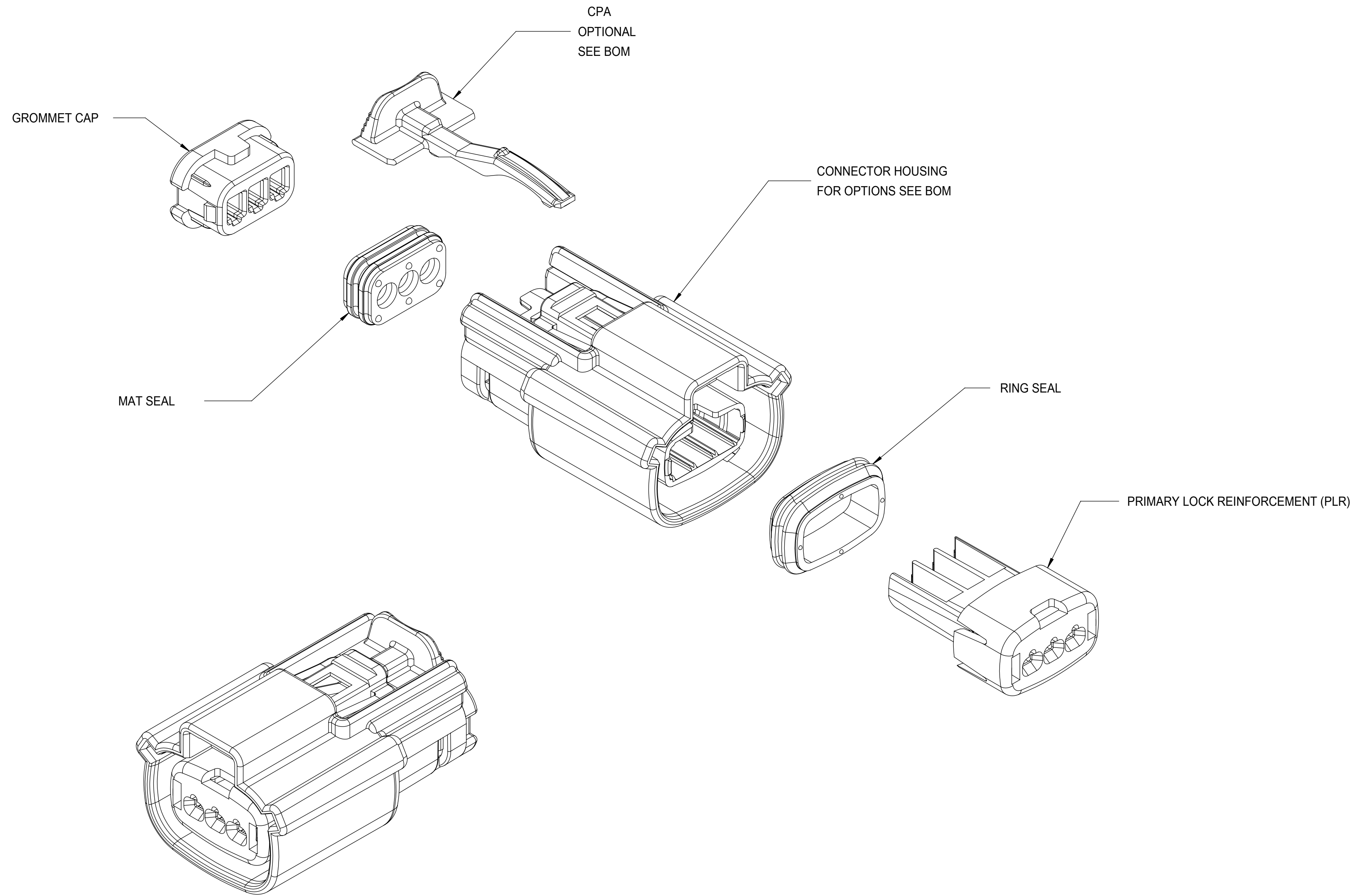
DESCRIPTION	DIMENSIONS
	G
1X2	26.00



RECEPTACLE SEALED ASSEMBLY WITH RECEPTACLE BACKSHELL

FUNCTIONAL SYMBOLS FA = 0 FC = 0 FP = 0 DIVISIONAL SYMBOLS	THIS DRAWING CONTAINS INFORMATION THAT IS PROPRIETARY TO MOLEX ELECTRONIC TECHNOLOGIES, LLC AND SHOULD NOT BE USED WITHOUT WRITTEN PERMISSION		DIMENSION UNITS: mm SCALE: 4:1		CURRENT REV DESC:									
	GENERAL TOLERANCES (UNLESS SPECIFIED)		ANGULAR TOL ± 1.0°		EC NO: 643941 DRWN: XLDONG03 2020/08/21 CHK'D: JDENG02 2020/08/26 APPR: JDENG02 2020/08/26						MX150 RCPT SINGLE ROW SEALED ASSY MAT SEAL			
	4 PLACES ±		3 PLACES ±		2 PLACES ± 0.1		1 PLACE ± 0.2		0 PLACES ±		PRODUCT CUSTOMER DRAWING			
	DRAFT WHERE APPLICABLE MUST REMAIN WITHIN DIMENSIONS		THIRD ANGLE PROJECTION		DRAWING: D-SIZE SERIES: 33471		INITIAL REVISION: DRWN: APROFFITT 2015/11/04 APPR: KDEKOSKI 2016/06/14		DOCUMENT NUMBER: SD-33471-0001 DOC TYPE: PSD DOC PART: 001 REVISION: A1		MATERIAL NUMBER: SEE NOTE 2a CUSTOMER: GENERAL MARKET SHEET NUMBER: 8 OF 8			
	DOCUMENT STATUS: P1 RELEASE DATE: 2020/08/26 07:23:52		DRAFT WHERE APPLICABLE MUST REMAIN WITHIN DIMENSIONS		THIRD ANGLE PROJECTION		DRAWING: D-SIZE SERIES: 33471		INITIAL REVISION: DRWN: APROFFITT 2015/11/04 APPR: KDEKOSKI 2016/06/14		DOCUMENT NUMBER: SD-33471-0001 DOC TYPE: PSD DOC PART: 001 REVISION: A1		MATERIAL NUMBER: SEE NOTE 2a CUSTOMER: GENERAL MARKET SHEET NUMBER: 8 OF 8	

TABLE OF CONTENTS	
SHEET NO.	SHEET DESCRIPTION
1	NOTES
2	KEY CONFIGURATIONS
3	RECEPTACLE SEALED ASSEMBLY
4	BACKSHELL NOTES
5	BACKSHELL
6	BACKSHELL CONFIGURATION
7	BOM



NOTES: VALID UNLESS OTHERWISE SPECIFIED

1. GENERAL:
- a. APPLICATION SPECIFICATION SEE: AS-33472-100
 -CONTAINS: PRODUCT INTRODUCTION, PRODUCT SUMMARY, CONNECTOR ASSEMBLY, PACKAGING INFORMATION, CONNECTOR MATING, SERVICE INSTRUCTIONS, ELECTRICAL CONTINUITY CHECKING, CRIMPING, AND TROUBLESHOOTING.
 -DESIGNED TO MATE WITH DEVICE CONNECTION AS SPECIFIED IN DRAWING EWCAP 150-S-003-1-Z05, AVAILABLE AT <http://ewcap.uscarteams.org/>.
 -DESIGNED TO MATE WITH BLADE SEALED ASSEMBLY AS SPECIFIED IN DRAWING SD-33481-031
 -FOR 1.5mm RECEPTACLE TERMINALS TO BE USED WITH THIS ASSEMBLY. SEE MOLEX DRAWING SD-33012-002.
 -SYSTEM TO BE USED WITH WIRE WITHIN DIAMETER RANGE OF 1.2 mm TO 2.69 mm.
 -ASSEMBLY SHIPPED WITH PLR AND CPA IN PRE-LOCK POSITION (SEE SECTION Z-Z PRE-LOCK).
 -IN THE EVENT THAT THE PLR IS FOUND IN THE SEATED (FINAL LOCK) POSITION, REFER TO MOLEX SPECIFICATION PS-34646-001, AVAILABLE AT www.molex.com <http://www.molex.com>.
 -ASSEMBLY CONFORMS TO SAE/USCAR-2 REV.4 WITH THE FOLLOWING EXCEPTIONS:
 ENGAGEMENT FORCE TO MOVE CPA FROM PRE-LOCK TO FINAL LOCK POSITION WHEN UNMATED: 40N MIN.
 DISENGAGEMENT FORCE TO MOVE CPA FROM FINAL LOCK TO PRE-LOCK POSITION: 3N MIN, 40N MAX
 TERMINAL INSERTION FORCE FOR WIRE DIAMETER ABOVE 2.5mm NOT EXCEEDING 2.69mm SHALL NOT EXCEED 40 NEWTONS.
- b. PRODUCT SPECIFICATION SEE: PS-33471-000
 CONTAINS: PRODUCT INTRODUCTION, PRODUCT SUMMARY, RATINGS (CURRENT, TEMPERATURE, SEALING, AND FLAMMABILITY), AND PRODUCT VALIDATION.
- c. PACKAGING SPECIFICATION PER MOLEX DRAWING: PK-31300-635
- d. PARTS MUST BE IN COMPLIANCE TO MOLEX CHEMICAL SUBSTANCES FOR PRODUCTS AND PACKAGING SPECIFICATION: ES-40000-5016
- e. DATA MUST BE SUBMITTED UNDER THE MOLEX PART NUMBER TO IMDS (COMPANY ID#13255)
2. DESIGN - MATERIALS:
- a. CONNECTOR HOUSING, GROMMET CAP, PLR: SPS/NYLON BLEND 20% GLASS FILLED
 CPA: PBT 20% GLASS FILLED
 MAT SEAL, RING SEAL: INHERENTLY LUBRICATED SILICONE
3. DESIGN - GEOMETRY:
- a. THIS IS A 100% CAD GENERATED PART. THE CAD MATHEMATICAL DATA IS THE MASTER FOR THIS PART. FOR DIMENSIONAL OR ANY INFORMATION NOT SHOWN ON THIS DRAWING, ANALYZE THE CAD MODEL.
- b. GEOMETRIC DIMENSIONS AND TOLERANCES PER ASME Y14.5M - 1994
- c. EDGES AND UNDIMENSIONED DETAILS PER ISO13715
- d. CORNERS SHOWN AS SHARP TO BE R 0.2 MAX.
- e. LETTERING SHALL BE 0.15 MAX RAISED IN 0.25 MAX RECESS PAD. THIS INCLUDES RECYCLING CODE, CAVITY ID, VENDOR IDENTIFICATION, AND CUSTOMER MATERIAL NUMBER.
- f. VISUAL DEFECTS SHALL MEET COSMETIC STANDARD PS-45499-002 (Class B)
- g. LASER MARKING: TBD

MODELS USED

- EM-33471-301
- EM-33471-302
- EM-33471-303
- EM-33471-304

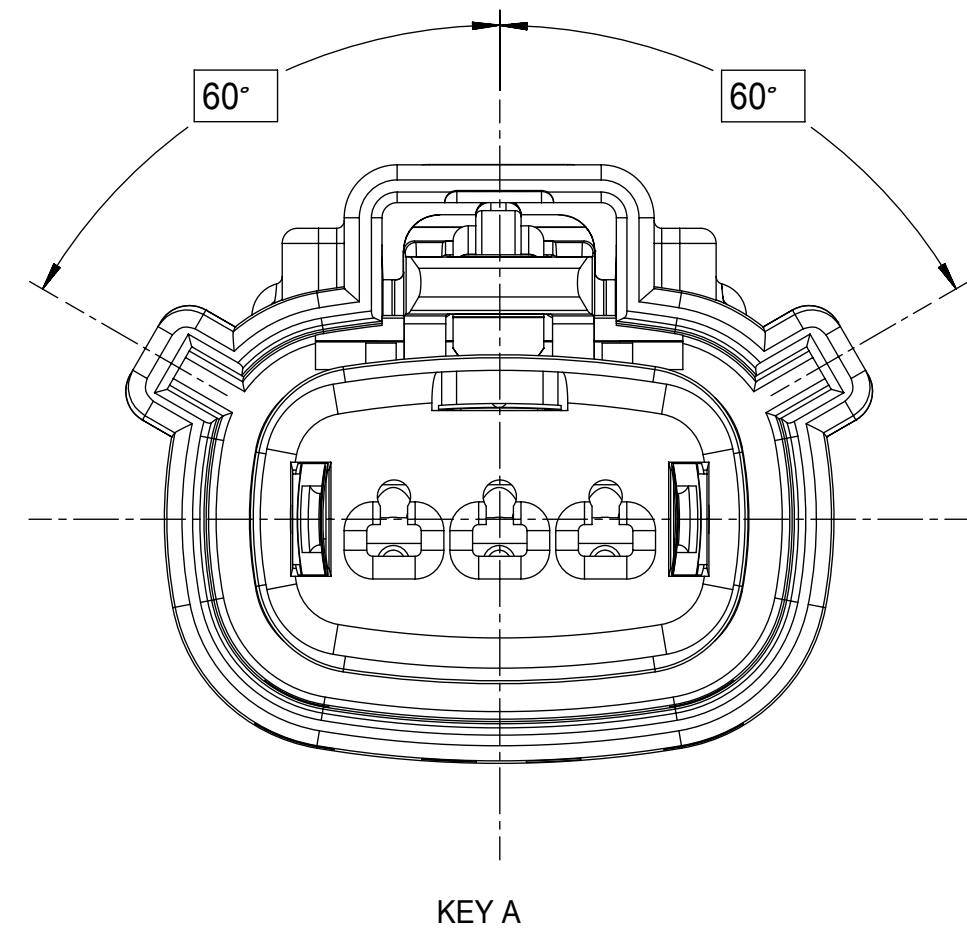
INSPECTION NUMBER LOG

- LAST NUMBER USED: 5
- ADDED:
- REMOVED:

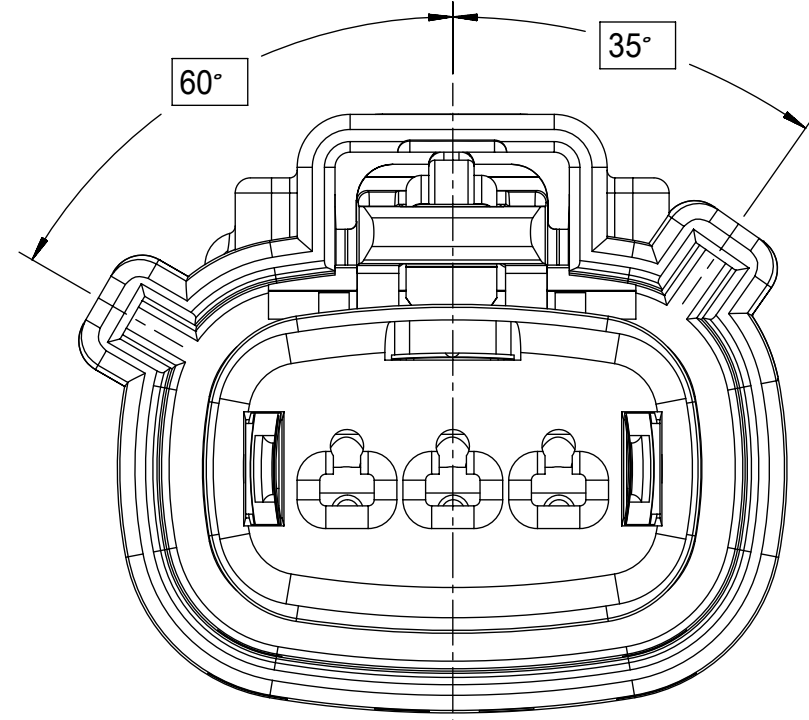
R	UPDATED THE DRAWING FRAME
Q7	ADD NEW P/NS 33471-33XX
Q6	UPDATED VIEWS
Q5	ADD BACKSHELL CONFIGURATION
Q4	ADD NEW P/N 33471-0347
Q3	334710345 IS SAME AS 334710340 SO VOID 334710345
Q2	CHANGE THE STATUS TO SALEABLE
Q1	UPDATED NOTES
Q	REDRAWN
REV	DESCRIPTION

FUNCTIONAL SYMBOLS	THIS DRAWING CONTAINS INFORMATION THAT IS PROPRIETARY TO MOLEX ELECTRONIC TECHNOLOGIES, LLC AND SHOULD NOT BE USED WITHOUT WRITTEN PERMISSION		CURRENT REV DESC:					
DIMENSION UNITS	SCALE							
$\frac{F}{A} = 0$	mm	3:1			EC NO: 643941 DRWN: XLDONG03 2020/08/21 CHK'D: JDENG02 2020/08/26 APPR: JDENG02 2020/08/26			
$\frac{F}{C} = 0$	GENERAL TOLERANCES (UNLESS SPECIFIED)							
$\frac{F}{P} = 0$	ANGULAR TOL $\pm 3.0^\circ$				INITIAL REVISION: DRWN: DMARCOUX 2002/06/18 APPR: FHOLUB 2002/06/18			
	4 PLACES	\pm						
	3 PLACES	\pm			DOCUMENT NUMBER: SD-33471-031 DOC TYPE: PSD DOC PART: 001 REVISION: R			
	2 PLACES	± 0.1						
	1 PLACE	± 0.3			MATERIAL NUMBER: SEE BOM CUSTOMER: GENERAL MARKET SHEET NUMBER: 1 OF 7			
	0 PLACES	\pm						
DRAFT WHERE APPLICABLE MUST REMAIN WITHIN DIMENSIONS		THIRD ANGLE PROJECTION	DRAWING	SERIES				
			D-SIZE	33471				

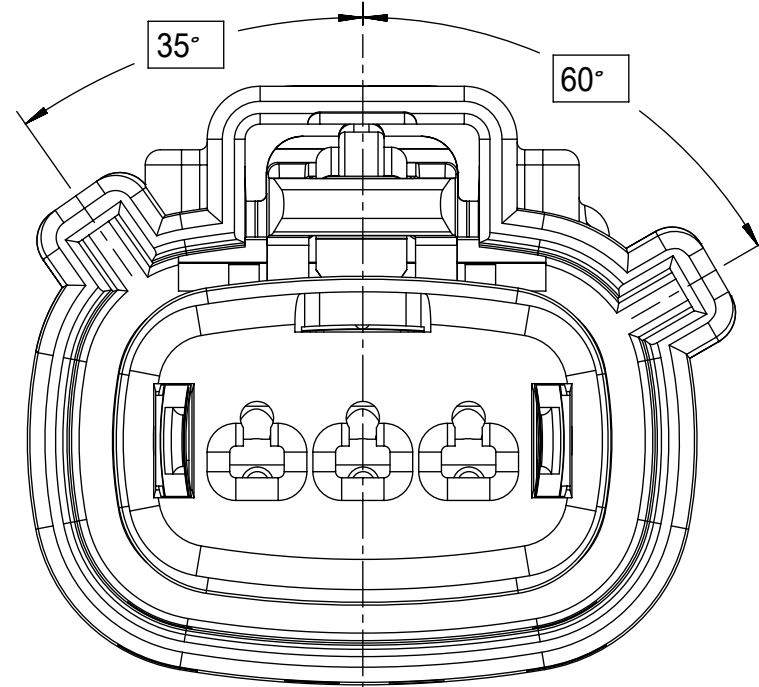
KEY CONFIGURATIONS



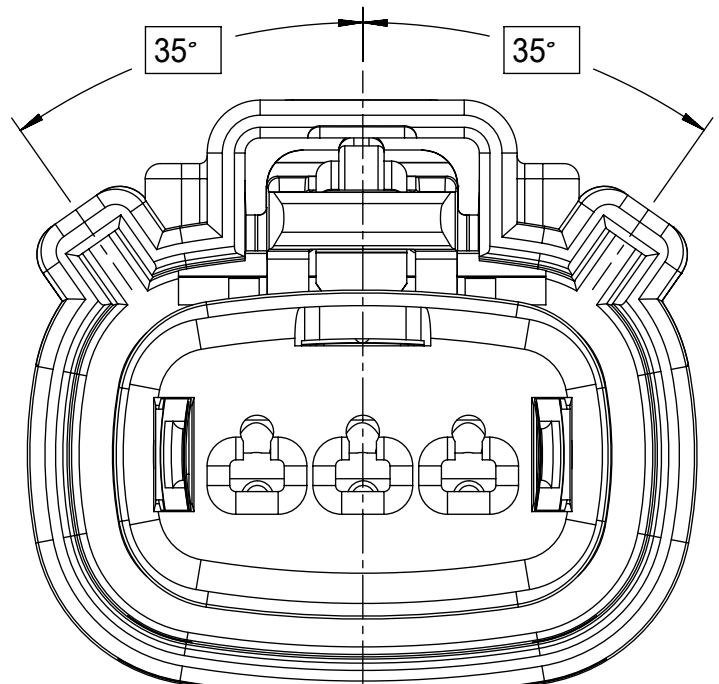
KEY A



KEY B



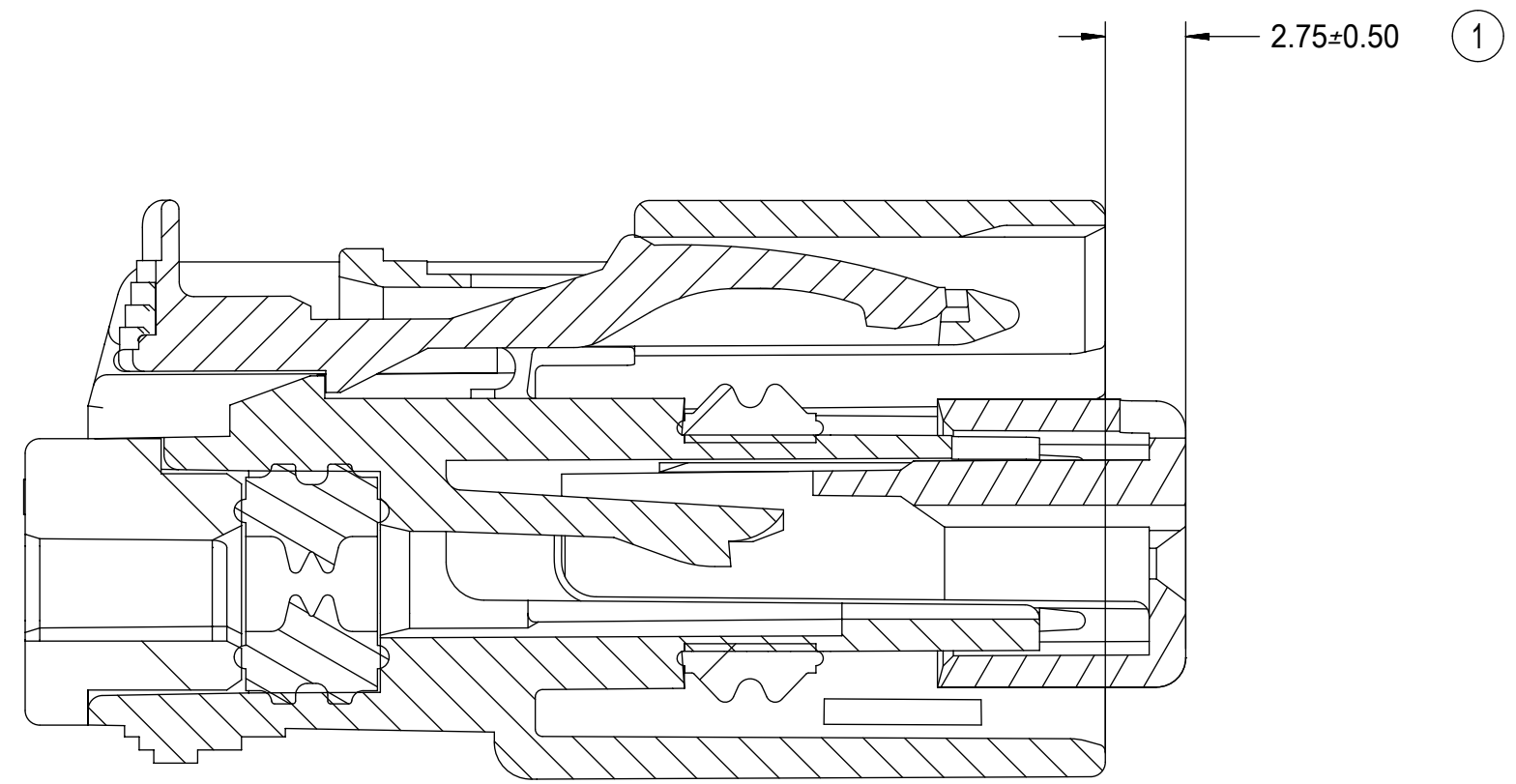
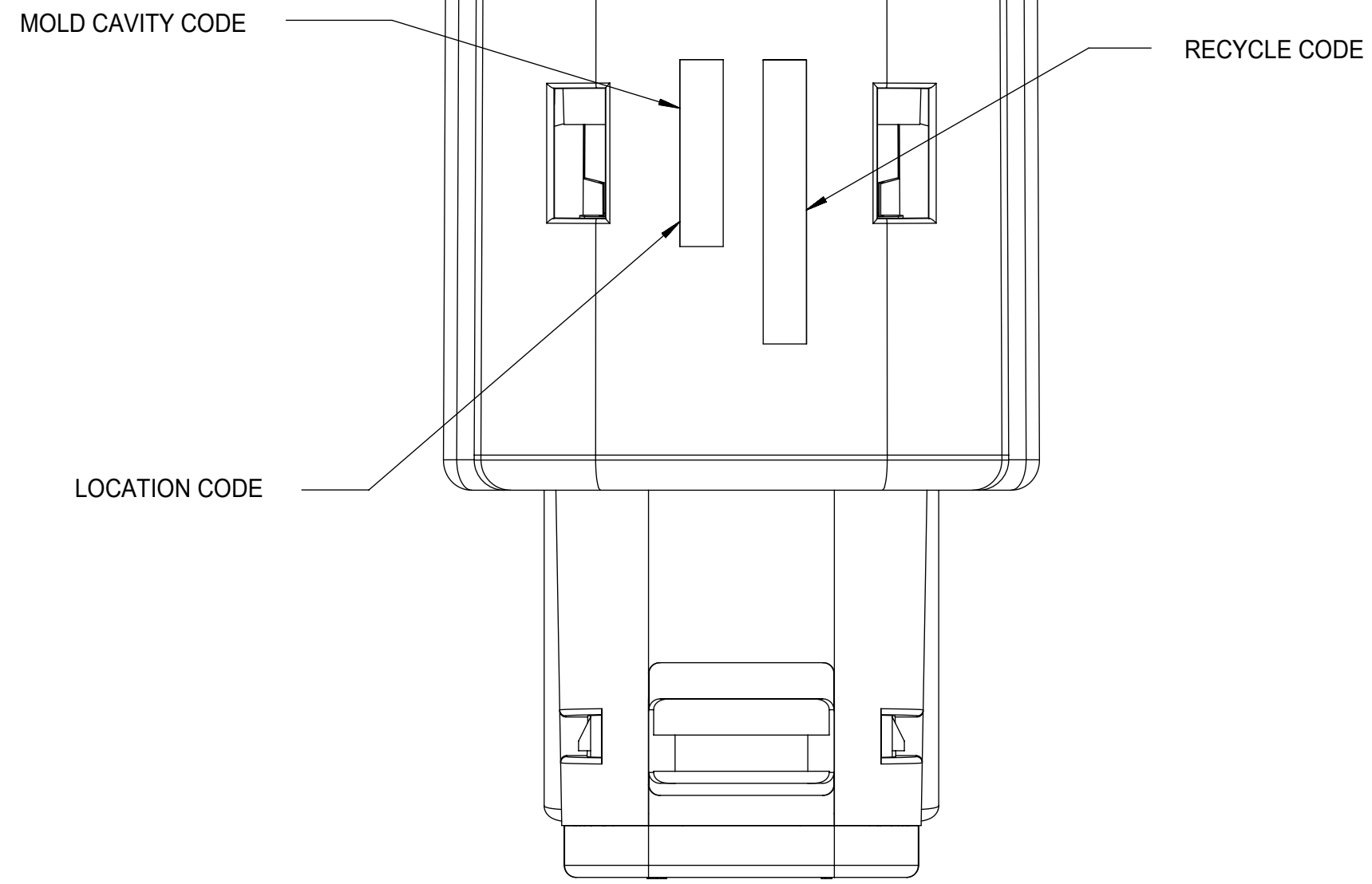
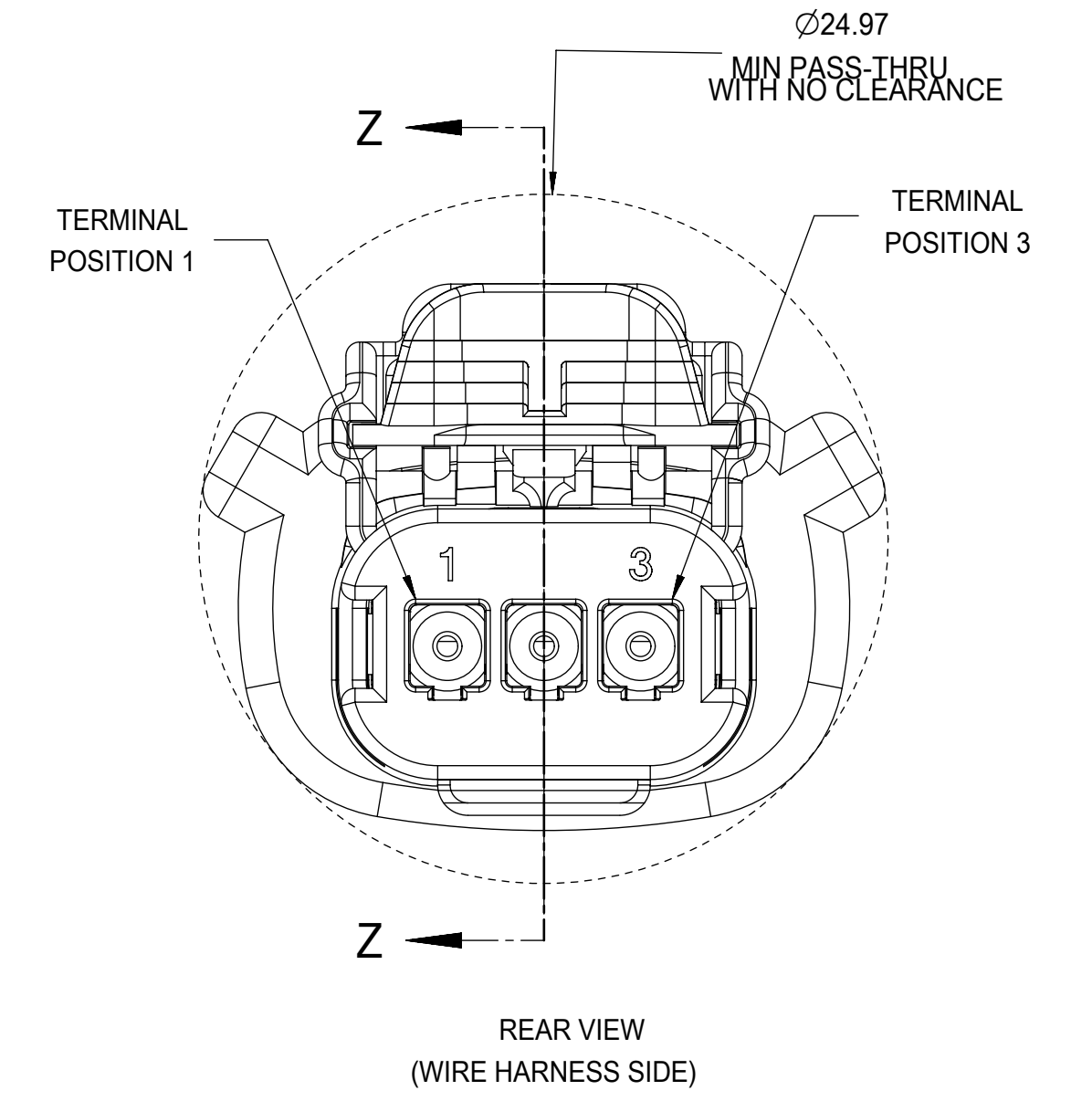
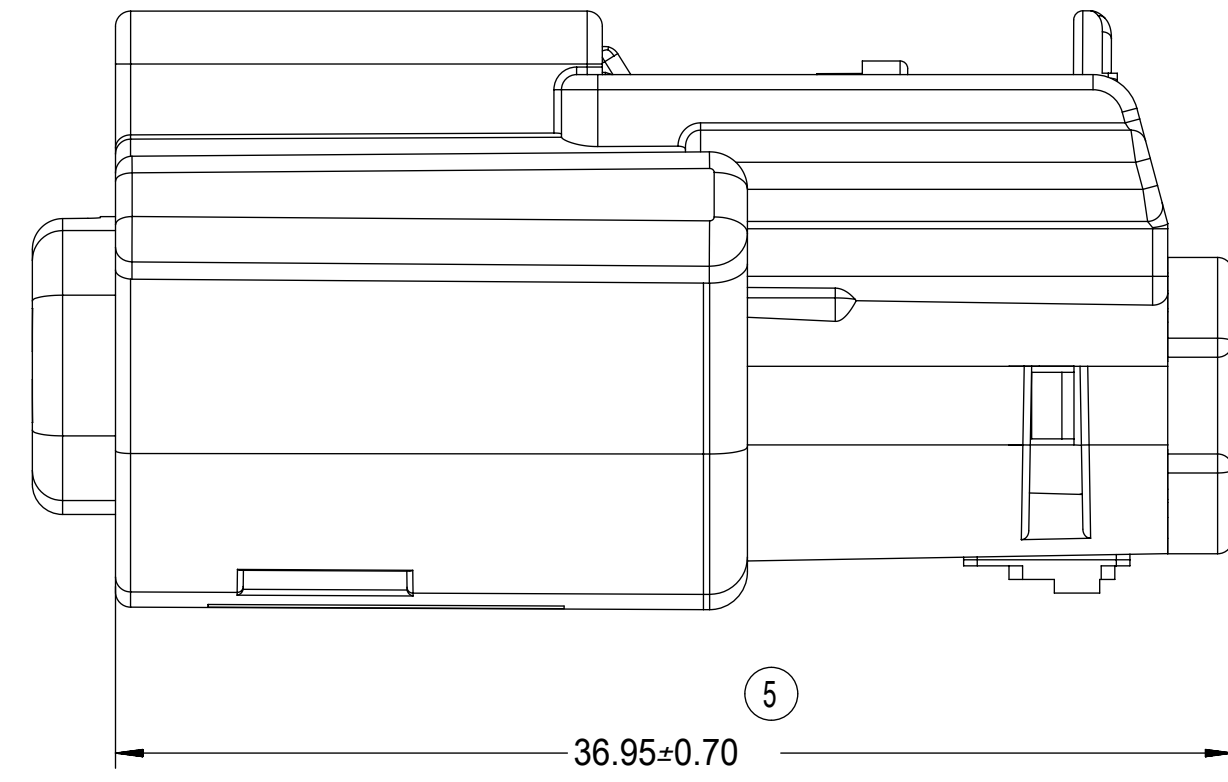
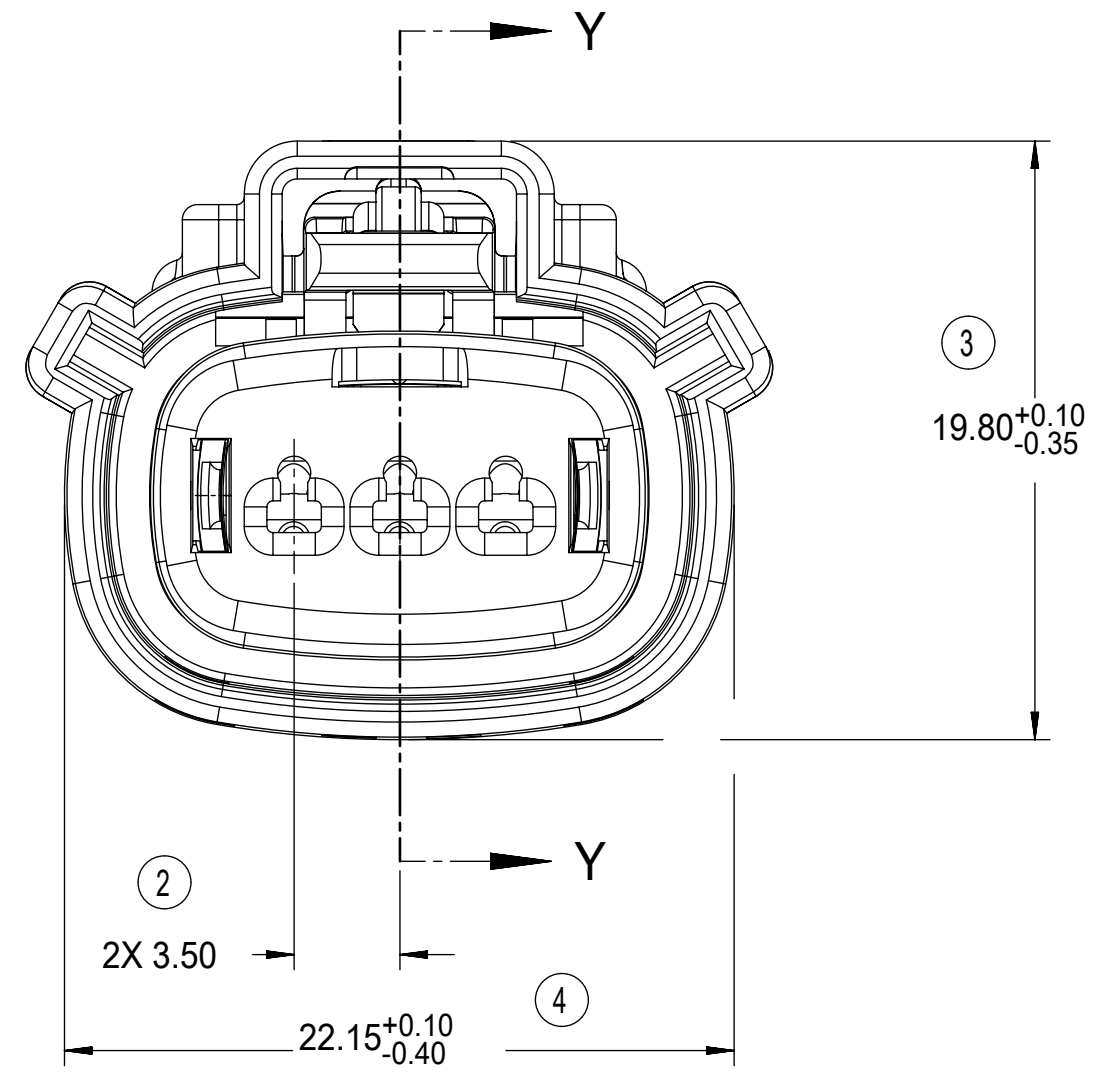
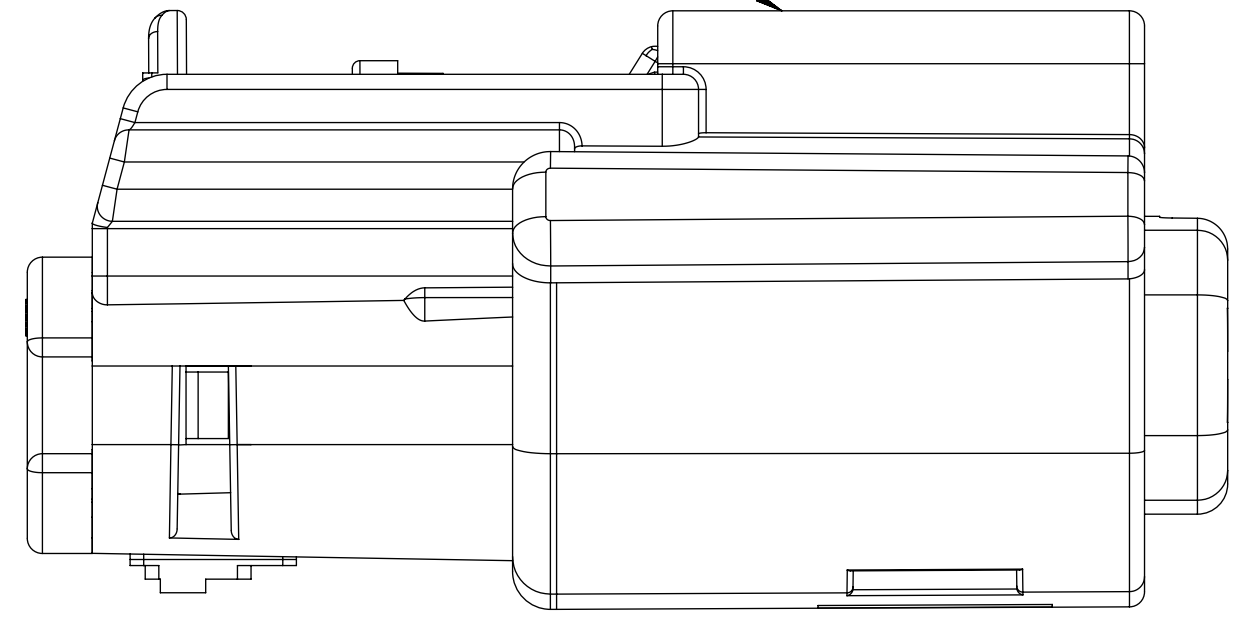
KEY C



KEY D

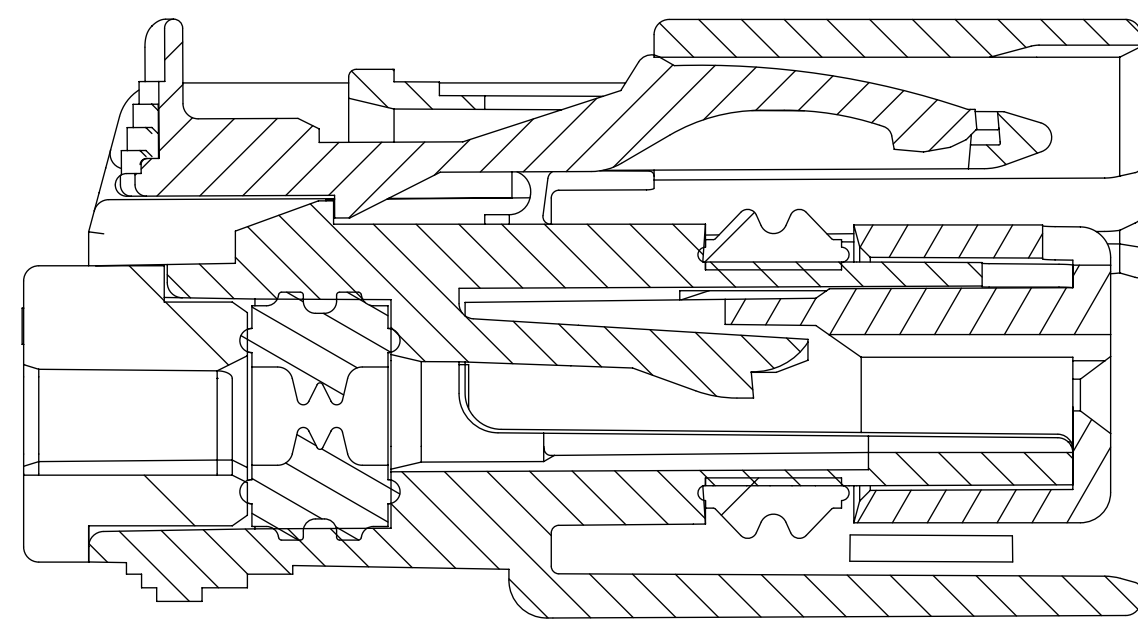
FUNCTIONAL SYMBOLS	THIS DRAWING CONTAINS INFORMATION THAT IS PROPRIETARY TO MOLEX ELECTRONIC TECHNOLOGIES, LLC AND SHOULD NOT BE USED WITHOUT WRITTEN PERMISSION		
	DIMENSION UNITS	SCALE	CURRENT REV DESC:
$\nabla_A = 0$	mm	4:1	EC NO: 643941 DRWN: XLDONG03 2020/08/21 CHK'D: JDENG02 2020/08/26 APPR: JDENG02 2020/08/26 INITIAL REVISION: DRWN: DMARCOUX 2002/06/18 APPR: FHOLUB 2002/06/18
$\nabla_C = 0$	GENERAL TOLERANCES (UNLESS SPECIFIED)		
	ANGULAR TOL $\pm 3.0^\circ$		
DIVISIONAL SYMBOLS	4 PLACES	\pm	
	3 PLACES	\pm	
	2 PLACES	± 0.1	
	1 PLACE	± 0.3	
	0 PLACES	\pm	
DRAFT WHERE APPLICABLE MUST REMAIN WITHIN DIMENSIONS		THIRD ANGLE PROJECTION	DRAWING: D-SIZE SERIES: 33471
DOCUMENT STATUS		RELEASE DATE	DOCUMENT NUMBER: SD-33471-031 DOC TYPE: PSD DOC PART: 001 REVISION: R
P1		2020/08/26 07:23:55	MATERIAL NUMBER: SEE BOM CUSTOMER: GENERAL MARKET SHEET NUMBER: 2 OF 7

LASER MARKING ON THIS SURFACE
SEE NOTE 3g.



PRIMARY LOCK REINFORCEMENT (PLR) SHOWN
IN PRE-STAGED POSITION

SECTION Z-Z

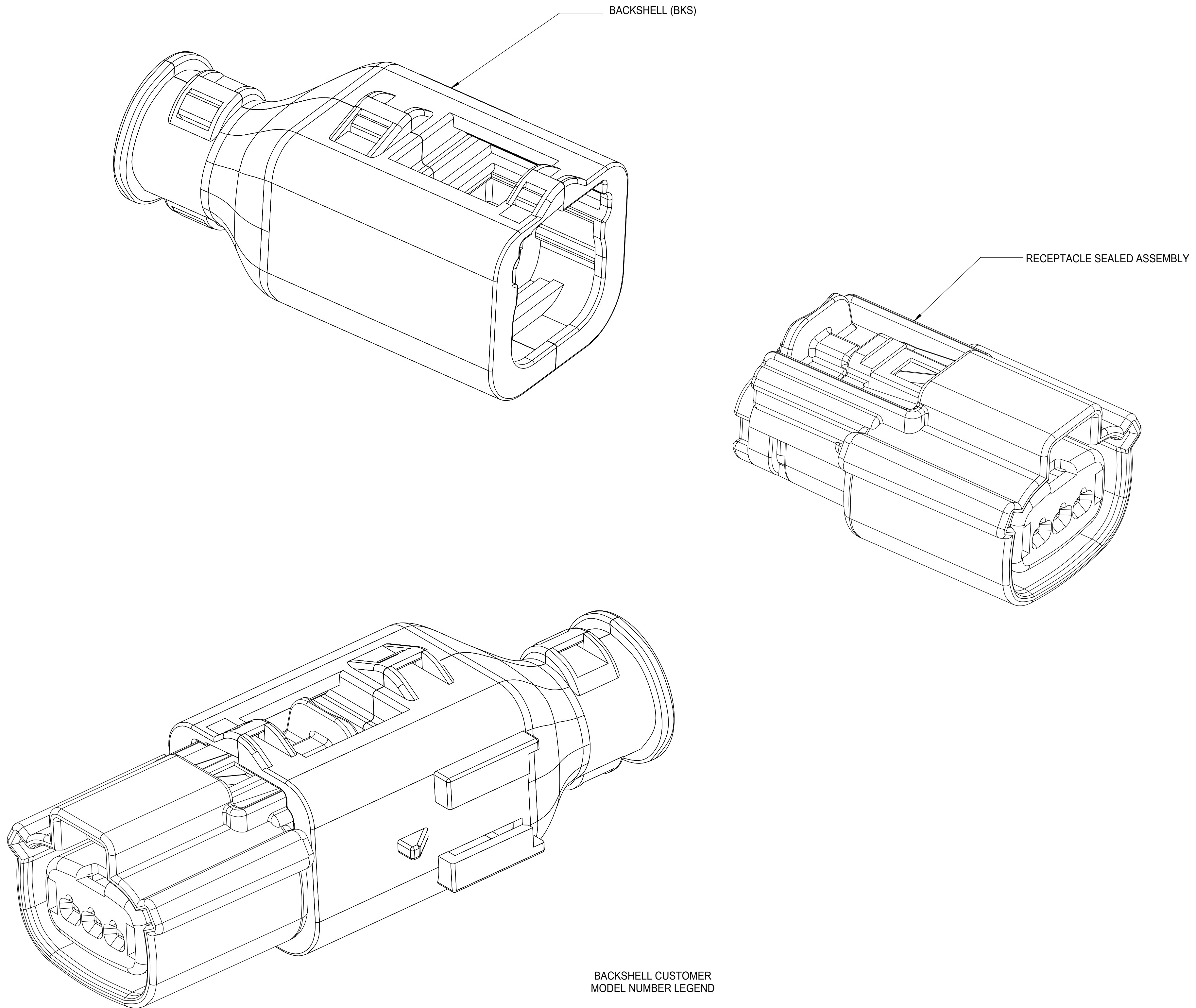


PRIMARY LOCK REINFORCEMENT (PLR) SHOWN
IN FINAL LOCK POSITION

SECTION Y-Y

FUNCTIONAL SYMBOLS FA = 0 FE = 0 FP = 0 DIVISIONAL SYMBOLS	THIS DRAWING CONTAINS INFORMATION THAT IS PROPRIETARY TO MOLEX ELECTRONIC TECHNOLOGIES, LLC AND SHOULD NOT BE USED WITHOUT WRITTEN PERMISSION		CURRENT REV DESC:		 MX150 1X3 RECEPTACLE SEALED ASSEMBLY MAT SEAL PRODUCT CUSTOMER DRAWING		
	DIMENSION UNITS	SCALE	EC NO: 643941				
	mm	4:1	DRWN: XLDONG03	2020/08/21			
	GENERAL TOLERANCES (UNLESS SPECIFIED)		CHK'D: JDENG02	2020/08/26			
	ANGULAR TOL ± 3.0°		APPR: JDENG02	2020/08/26			
4 PLACES	±	INITIAL REVISION:					
3 PLACES	±	DRWN: DMARCOUX	2002/06/18				
2 PLACES	± 0.1	APPR: FHOLUB	2002/06/18				
1 PLACE	± 0.3						
0 PLACES	±						
DRAFT WHERE APPLICABLE MUST REMAIN WITHIN DIMENSIONS		THIRD ANGLE PROJECTION	DRAWING	SERIES	MATERIAL NUMBER	CUSTOMER	SHEET NUMBER
			D-SIZE	33471	SEE BOM	GENERAL MARKET	3 OF 7

BACKSHELL NOTES



BACKSHELL NOTES: VALID UNLESS OTHERWISE SPECIFIED

1. GENERAL:
- a. APPLICATION SPECIFICATION SEE: AS-34951-001
- DESIGNED TO MATE WITH RECEPTACLE SEALED ASSEMBLY SPECIFIED IN MOLEX DRAWING SD-33471-031.
 - SYSTEM TO BE USED WITH WIRE WITHIN DIAMETER RANGE OF 1.2mm TO 2.69mm.
 - COMPONENTS ARE OPTIONAL AND MUST BE PURCHASED SEPERATELY.
 - BACKSHELL DESIGN IS OWNED BY SCHLEMMER.
 - FOR ADDITIONAL INFORMATION SEE THE BACKSHELL COMPONENT DRAWING SD-34949-0001.

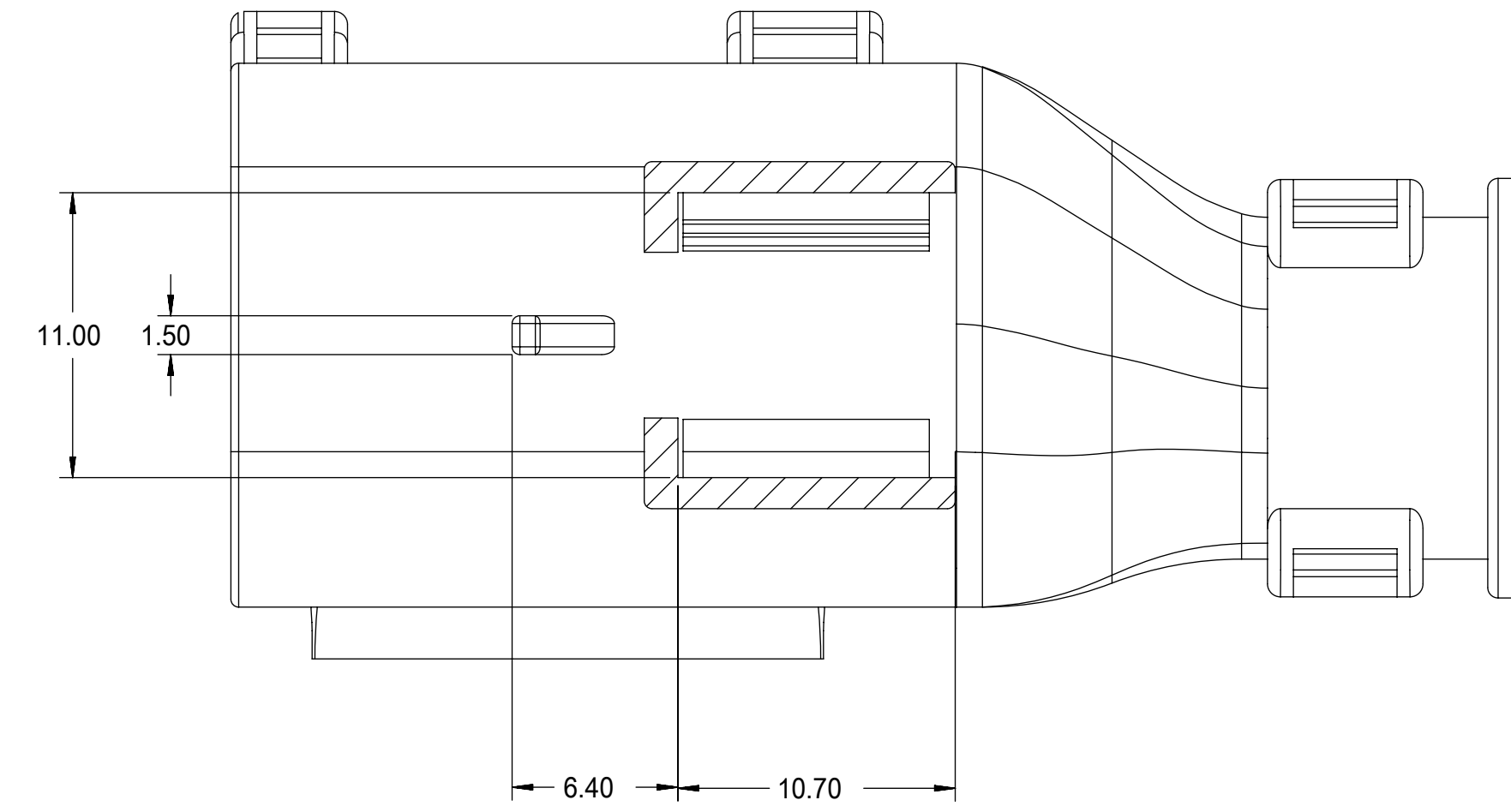
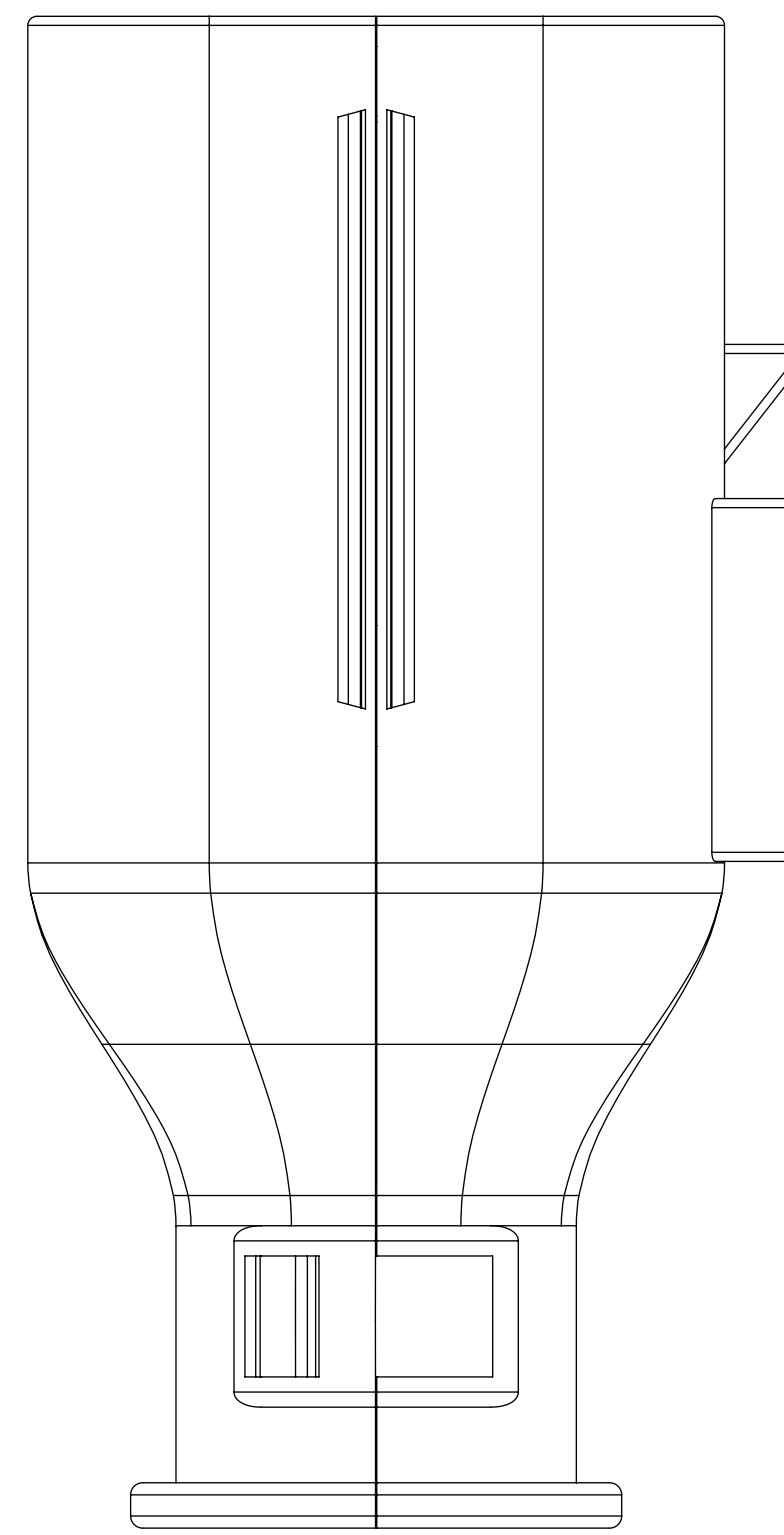
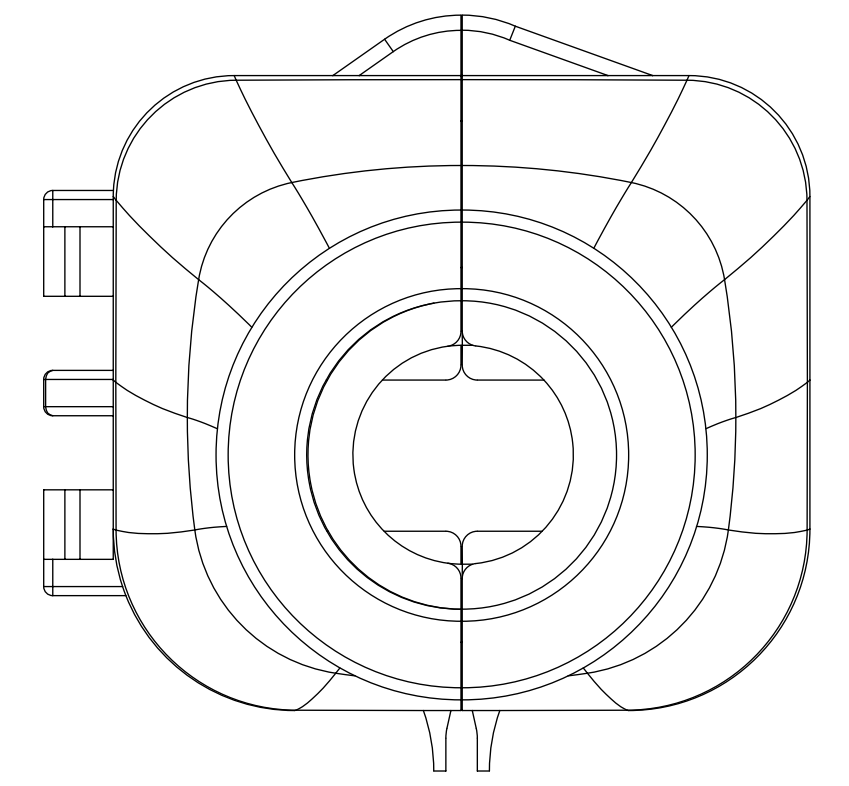
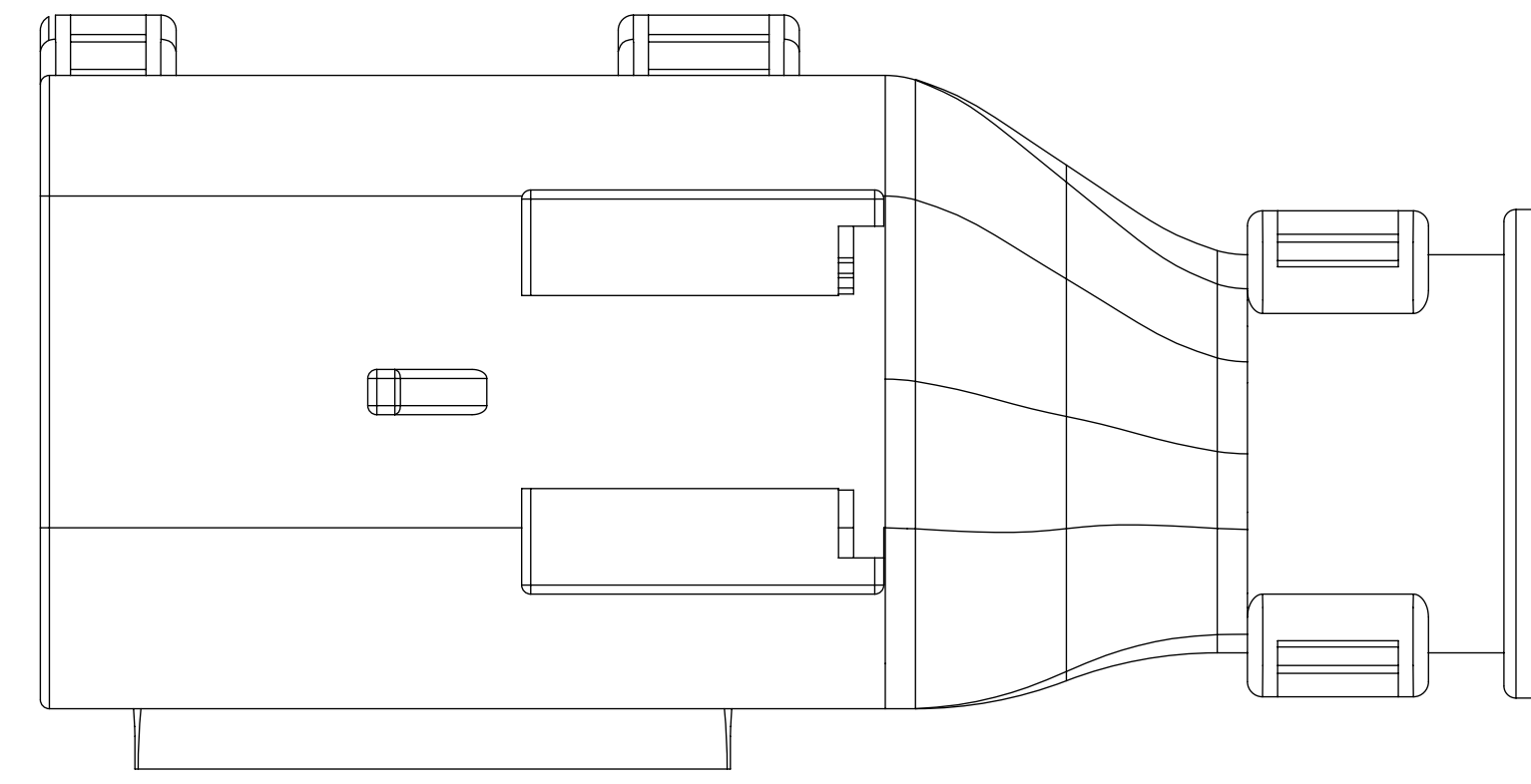
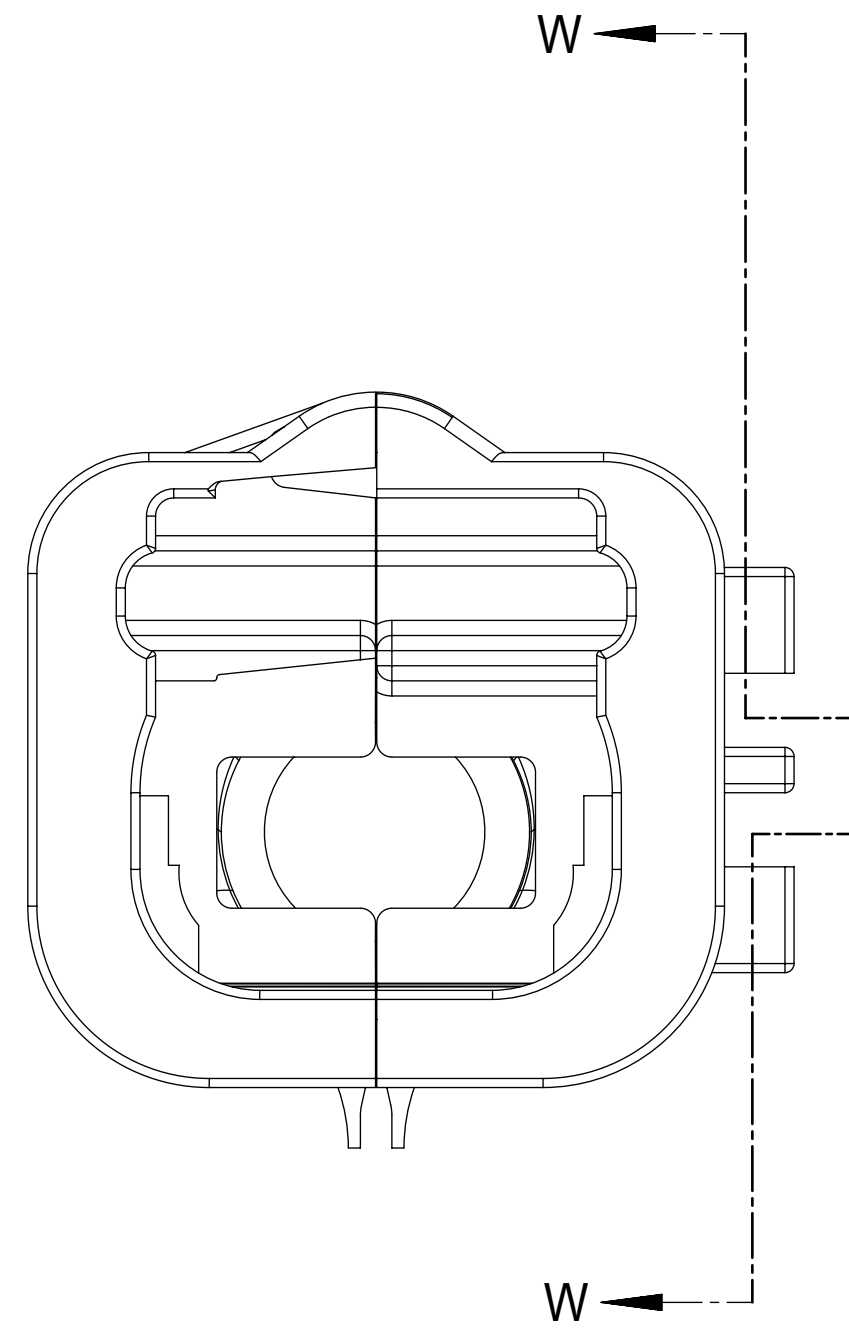
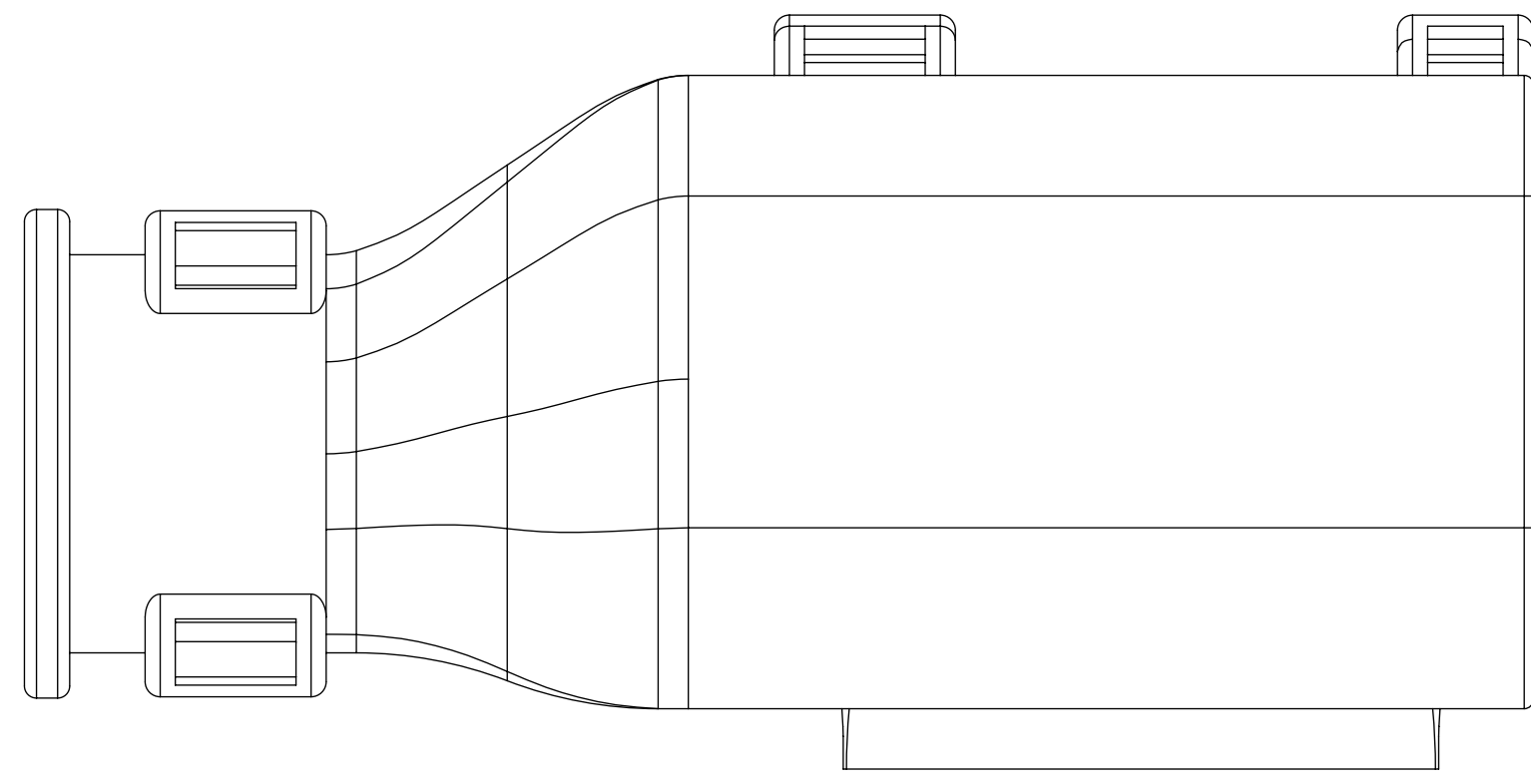
BACKSHELL CUSTOMER MODEL NUMBER LEGEND

34949-XXXX

- CUSTOMER MODEL COMPONENTS
 - 0 - BACKSHELL ONLY
 - 1 - BACKSHELL & MX150 HOUSING KEY A ASSEMBLY
 - 2 - BACKSHELL & MX150 HOUSING KEY B ASSEMBLY
 - 3 - BACKSHELL & MX150 HOUSING KEY C ASSEMBLY
 - 4 - BACKSHELL & MX150 HOUSING KEY D ASSEMBLY
- BACKSHELL FEATURES
 - 1 - WITH RIBS
 - 2 - WITHOUT RIBS
- MX150 CIRCUIT SIZE 02, 03, 04, 05, 06

FUNCTIONAL SYMBOLS $\nabla_A = 0$ $\nabla_C = 0$ $\nabla_D = 0$ DIVISIONAL SYMBOLS	THIS DRAWING CONTAINS INFORMATION THAT IS PROPRIETARY TO MOLEX ELECTRONIC TECHNOLOGIES, LLC AND SHOULD NOT BE USED WITHOUT WRITTEN PERMISSION		CURRENT REV DESC:		
	DIMENSION UNITS	SCALE	EC NO: 643941		
	mm	4:1	DRWN: XLDONG03 2020/08/21		
	GENERAL TOLERANCES (UNLESS SPECIFIED)		CHK'D: JDENG02 2020/08/26		
ANGULAR TOL $\pm 3.0^\circ$		APPR: JDENG02 2020/08/26		PRODUCT CUSTOMER DRAWING	
4 PLACES \pm		INITIAL REVISION:		DOCUMENT NUMBER	DOC TYPE
3 PLACES \pm		DRWN: DMARCOUX 2002/06/18		SD-33471-031	PSD
2 PLACES ± 0.1		APPR: FHOLUB 2002/06/18		001	R
1 PLACE ± 0.3		DRAFT WHERE APPLICABLE MUST REMAIN WITHIN DIMENSIONS		SEE BOM	GENERAL MARKET
0 PLACES \pm		THIRD ANGLE PROJECTION	DRAWING	SERIES	SHEET NUMBER
			D-SIZE	33471	4 OF 7

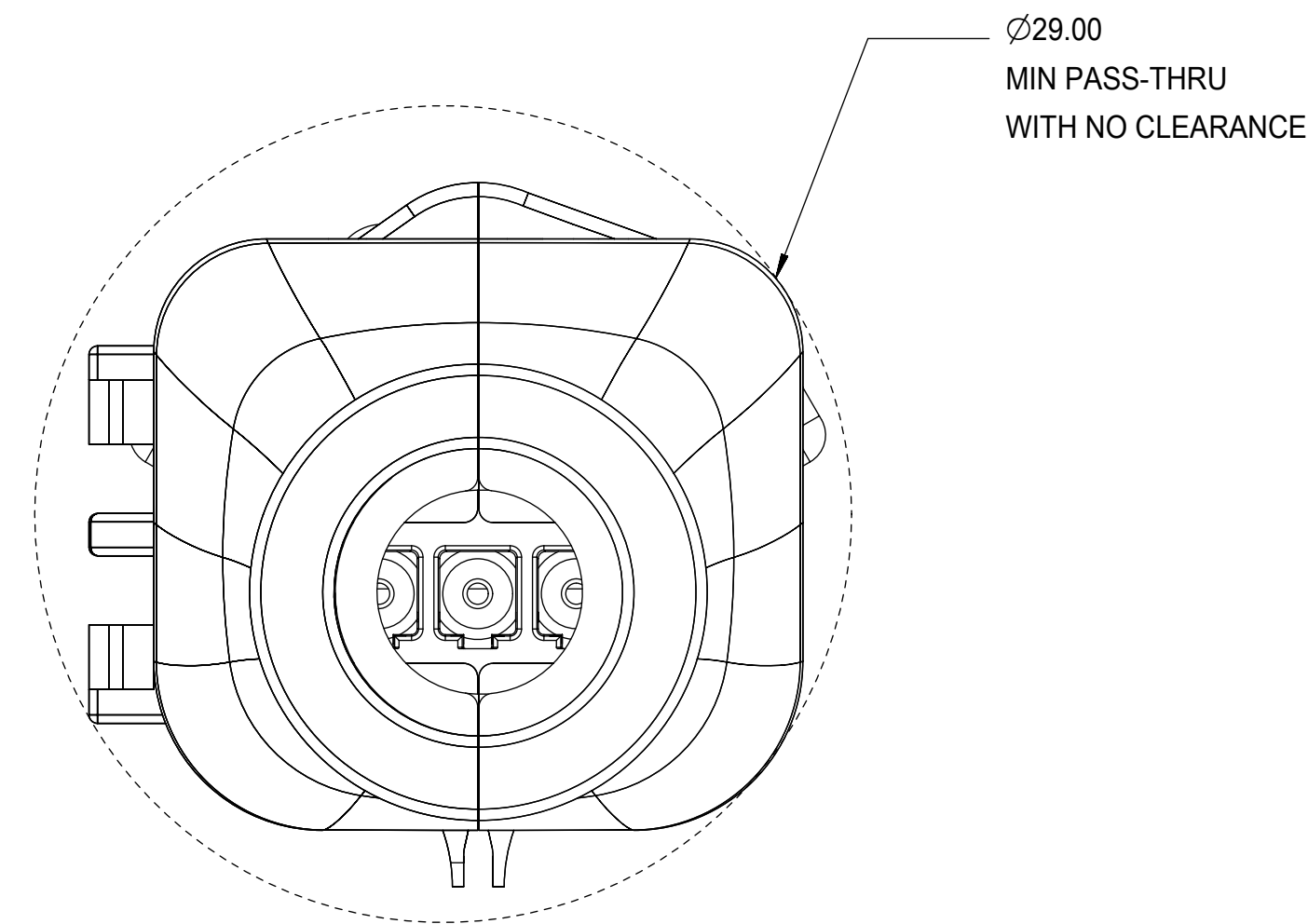
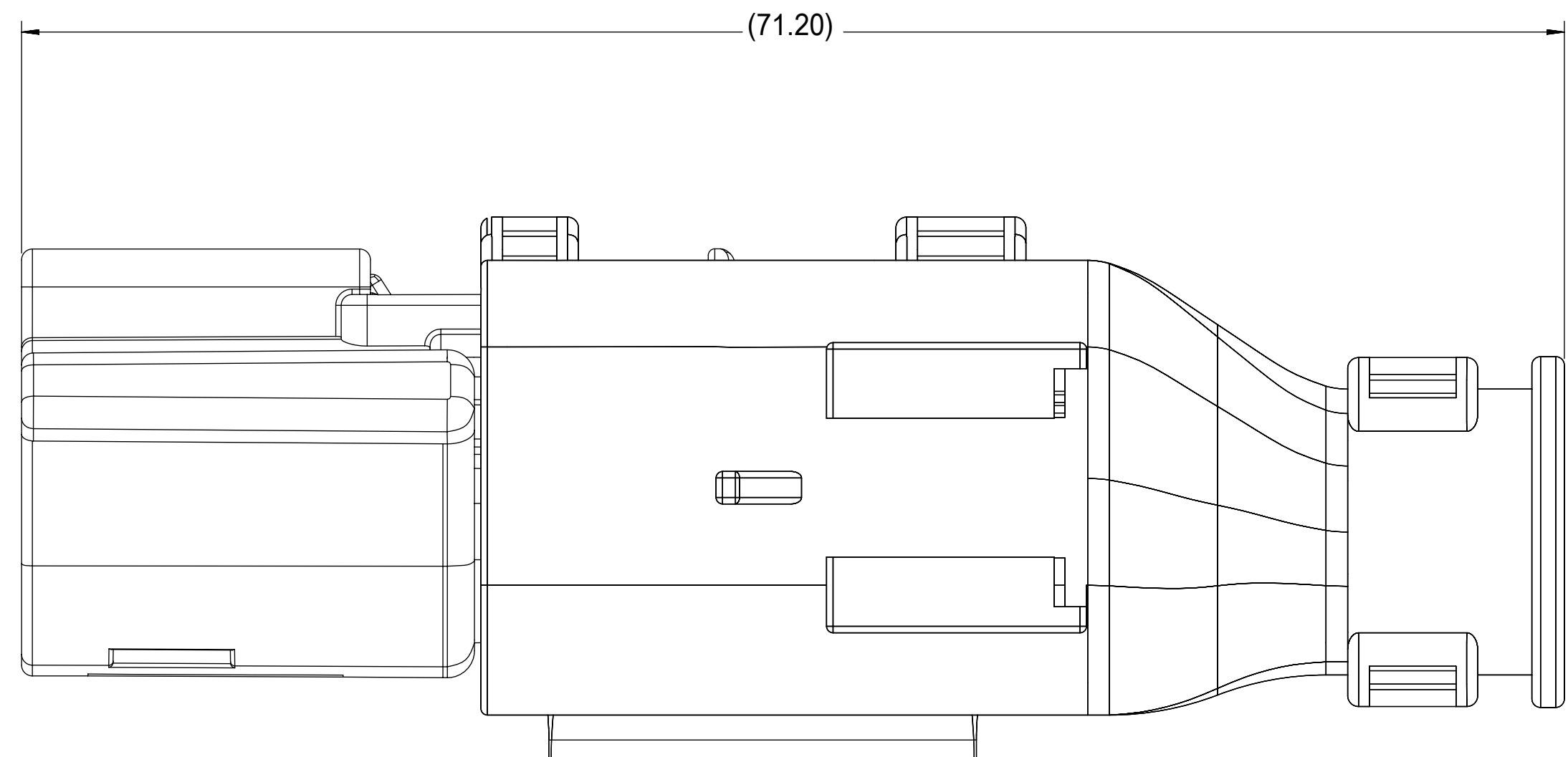
BACKSHELL
 THE VIEWS ON THIS SHEET ARE
 IN THE CLOSED UN-ASSEMBLED POSITION



SECTION W-W

FUNCTIONAL SYMBOLS $\nabla_A = 0$ $\nabla_C = 0$ $\nabla_P = 0$	DIMENSION UNITS mm	SCALE 4:1	THIS DRAWING CONTAINS INFORMATION THAT IS PROPRIETARY TO MOLEX ELECTRONIC TECHNOLOGIES, LLC AND SHOULD NOT BE USED WITHOUT WRITTEN PERMISSION	
	GENERAL TOLERANCES (UNLESS SPECIFIED) ANGULAR TOL $\pm 3.0^\circ$		CURRENT REV DESC: EC NO: 643941 DRWN: XLDONG03 2020/08/21 CHK'D: JDENG02 2020/08/26 APPR: JDENG02 2020/08/26	
DIVISIONAL SYMBOLS 4 PLACES \pm 3 PLACES \pm 2 PLACES ± 0.1 1 PLACE ± 0.3 0 PLACES \pm	INITIAL REVISION: DRWN: DMARCOUX 2002/06/18 APPR: FHOLUB 2002/06/18		molex MX150 1X3 RECEPTACLE SEALED ASSEMBLY MAT SEAL	
	PRODUCT CUSTOMER DRAWING DOCUMENT NUMBER: SD-33471-031 DOC TYPE: PSD DOC PART: 001 REVISION: R		MATERIAL NUMBER: SEE BOM CUSTOMER: GENERAL MARKET SHEET NUMBER: 5 OF 7	
DRAFT WHERE APPLICABLE MUST REMAIN WITHIN DIMENSIONS		THIRD ANGLE PROJECTION 	DRAWING D-SIZE	SERIES 33471

BACKSHELL CONFIGURATIONS



RECEPTACLE SEALED ASSEMBLY WITH RECEPTACLE BACKSHELL

FUNCTIONAL SYMBOLS $F_A = 0$ $F_C = 0$ $F_P = 0$ DIVISIONAL SYMBOLS	THIS DRAWING CONTAINS INFORMATION THAT IS PROPRIETARY TO MOLEX ELECTRONIC TECHNOLOGIES, LLC AND SHOULD NOT BE USED WITHOUT WRITTEN PERMISSION		CURRENT REV DESC:				
	DIMENSION UNITS	SCALE	EC NO: 643941				
	mm	4:1	DRWN: XLDONG03 2020/08/21				
	GENERAL TOLERANCES (UNLESS SPECIFIED)		CHK'D: JDENG02 2020/08/26				
	ANGULAR TOL ± 3.0°		APPR: JDENG02 2020/08/26				
4 PLACES ±		INITIAL REVISION:		DOCUMENT NUMBER	DOC TYPE	DOC PART	REVISION
3 PLACES ±		DRWN: DMARCOUX 2002/06/18		SD-33471-031	PSD	001	R
2 PLACES ± 0.1		APPR: FHOLUB 2002/06/18		MATERIAL NUMBER		CUSTOMER	
1 PLACE ± 0.3		DRAFT WHERE APPLICABLE MUST REMAIN WITHIN DIMENSIONS		D-SIZE	33471	SEE BOM	GENERAL MARKET
0 PLACES ±		THIRD ANGLE PROJECTION		SHEET NUMBER		6 OF 7	

ASSEMBLY PART NUMBER	COLOR	KEYING OPTION	CAVITY TYPE & STATUS X = PLUGGED			CPA	STATUS	OPTIONAL ATTACHMENTS SOLD SEPARATELY	
			1	2	3			BACKSHELL WITH RIBS	BACKSHELL WITHOUT RIBS
			33471-0301	BLACK	A				
33471-0302	LT.GRAY	B				-	SALEABLE	34949-0310	34949-0320
33471-0303	BROWN	C				-	NOT RECOMMENDED--SEE P/N 33471-0343	34949-0310	34949-0320
33471-0304	GREEN	D				-	NOT RECOMMENDED--SEE P/N 33471-0344	34949-0310	34949-0320
33471-0305							VOIDED		
33471-0306	BLACK	A				YES	SALEABLE	34949-0310	34949-0320
33471-0307	LT.GRAY	B				YES	SALEABLE	34949-0310	34949-0320
33471-0308	BROWN	C				YES	NOT RECOMMENDED--SEE P/N 33471-0340	34949-0310	34949-0320
33471-0309	GREEN	D				YES	NOT RECOMMENDED--SEE P/N 33471-0346	34949-0310	34949-0320
33471-0310							VOIDED		
33471-0311	BLACK	A			X	-	SALEABLE	34949-0310	34949-0320
33471-0312	LT.GRAY	B			X	-	SALEABLE	34949-0310	34949-0320
33471-0313	BROWN	C			X	-	SALEABLE	34949-0310	34949-0320
33471-0314	GREEN	D			X	-	SALEABLE	34949-0310	34949-0320
33471-0315							VOIDED		
33471-0316	BLACK	A			X	YES	SALEABLE	34949-0310	34949-0320
33471-0317	LT.GRAY	B			X	YES	SALEABLE	34949-0310	34949-0320
33471-0318	BROWN	C			X	YES	SALEABLE	34949-0310	34949-0320
33471-0319	GREEN	D			X	YES	SALEABLE	34949-0310	34949-0320
33471-0320							VOIDED		
33471-0321	BLACK	A	X	X		-	SALEABLE	34949-0310	34949-0320
33471-0322	LT.GRAY	B	X	X		-	SALEABLE	34949-0310	34949-0320
33471-0323	BROWN	C	X	X		-	SALEABLE	34949-0310	34949-0320
33471-0324	GREEN	D	X	X		-	SALEABLE	34949-0310	34949-0320
33471-0325							VOIDED		
33471-0326	BLACK	A	X	X		YES	SALEABLE	34949-0310	34949-0320
33471-0327	LT.GRAY	B	X	X		YES	SALEABLE	34949-0310	34949-0320
33471-0328	BROWN	C	X	X		YES	SALEABLE	34949-0310	34949-0320
33471-0329	GREEN	D	X	X		YES	SALEABLE	34949-0310	34949-0320
33471-0330							VOIDED		
33471-0331	BLACK	A	X	X	X	-	SALEABLE	34949-0310	34949-0320
33471-0332	LT.GRAY	B	X	X	X	-	SALEABLE	34949-0310	34949-0320
33471-0333	BROWN	C	X	X	X	-	SALEABLE	34949-0310	34949-0320
33471-0334	GREEN	D	X	X	X	-	SALEABLE	34949-0310	34949-0320
33471-0335							VOIDED		
33471-0336	BLACK	A		X		YES	SALEABLE	34949-0310	34949-0320
33471-0337	BLACK	A		X		-	SALEABLE	34949-0310	34949-0320
33471-0338	BLACK	A	X	X	X	YES	SALEABLE	34949-0310	34949-0320
33471-0339	BLACK	A	X			-	SALEABLE	34949-0310	34949-0320
33471-0340	DK.GRAY	C				YES	SALEABLE	34949-0310	34949-0320
33471-0341	LT.GRAY	B		X		YES	SALEABLE	34949-0310	34949-0320
33471-0342	DK.GRAY	C		X		YES	SALEABLE	34949-0310	34949-0320
33471-0343	DK.GRAY	C				-	SALEABLE	34949-0310	34949-0320
33471-0344	ST.GRAY	D				-	SALEABLE	34949-0310	34949-0320
33471-0345	DK.GRAY	C				YES	OBSOLETE--SEE P/N 33471-0340	34949-0310	34949-0320
33471-0346	ST.GRAY	D				YES	SALEABLE	34949-0310	34949-0320
33471-0347	YELLOW	A				YES	SALEABLE	34949-0310	34949-0320

*FOR ASSEMBLY P/N'S 33471-0340 AND 33471-0342 REFER TO SALEABLE KEY OPTION C ASSEMBLY P/N'S ABOVE

ASSEMBLY PART NUMBER	COLOR	KEYING OPTION	CAVITY TYPE & STATUS X = PLUGGED			CPA	STATUS	OPTIONAL ATTACHMENTS SOLD SEPARATELY	
			1	2	3			BACKSHELL WITH RIBS	BACKSHELL WITHOUT RIBS
			33471-3301	BLACK	A				
33471-3302	LT.GRAY	B				-	SALEABLE	34949-0310	34949-0320
33471-3303	BROWN	C				-	NOT RECOMMENDED--SEE P/N 33471-3343	34949-0310	34949-0320
33471-3304	GREEN	D				-	NOT RECOMMENDED--SEE P/N 33471-3344	34949-0310	34949-0320
33471-3305							VOIDED		
33471-3306	BLACK	A				YES	SALEABLE	34949-0310	34949-0320
33471-3307	LT.GRAY	B				YES	SALEABLE	34949-0310	34949-0320
33471-3308	BROWN	C				YES	NOT RECOMMENDED--SEE P/N 33471-3340	34949-0310	34949-0320
33471-3309	GREEN	D				YES	NOT RECOMMENDED--SEE P/N 33471-3346	34949-0310	34949-0320
33471-3310							VOIDED		
33471-3311	BLACK	A			X	-	SALEABLE	34949-0310	34949-0320
33471-3312	LT.GRAY	B			X	-	SALEABLE	34949-0310	34949-0320
33471-3313	BROWN	C			X	-	SALEABLE	34949-0310	34949-0320
33471-3314	GREEN	D			X	-	SALEABLE	34949-0310	34949-0320
33471-3315							VOIDED		
33471-3316	BLACK	A			X	YES	SALEABLE	34949-0310	34949-0320
33471-3317	LT.GRAY	B			X	YES	SALEABLE	34949-0310	34949-0320
33471-3318	BROWN	C			X	YES	SALEABLE	34949-0310	34949-0320
33471-3319	GREEN	D			X	YES	SALEABLE	34949-0310	34949-0320
33471-3320							VOIDED		
33471-3321	BLACK	A	X	X		-	SALEABLE	34949-0310	34949-0320
33471-3322	LT.GRAY	B	X	X		-	SALEABLE	34949-0310	34949-0320
33471-3323	BROWN	C	X	X		-	SALEABLE	34949-0310	34949-0320
33471-3324	GREEN	D	X	X		-	SALEABLE	34949-0310	34949-0320
33471-3325							VOIDED		
33471-3326	BLACK	A	X	X		YES	SALEABLE	34949-0310	34949-0320
33471-3327	LT.GRAY	B	X	X		YES	SALEABLE	34949-0310	34949-0320
33471-3328	BROWN	C	X	X		YES	SALEABLE	34949-0310	34949-0320
33471-3329	GREEN	D	X	X		YES	SALEABLE	34949-0310	34949-0320
33471-3330							VOIDED		
33471-3331	BLACK	A	X	X	X	-	SALEABLE	34949-0310	34949-0320
33471-3332	LT.GRAY	B	X	X	X	-	SALEABLE	34949-0310	34949-0320
33471-3333	BROWN	C	X	X	X	-	SALEABLE	34949-0310	34949-0320
33471-3334	GREEN	D	X	X	X	-	SALEABLE	34949-0310	34949-0320
33471-3335							VOIDED		
33471-3336	BLACK	A		X		YES	SALEABLE	34949-0310	34949-0320
33471-3337	BLACK	A		X		-	SALEABLE	34949-0310	34949-0320
33471-3338	BLACK	A	X	X	X	YES	SALEABLE	34949-0310	34949-0320
33471-3339	BLACK	A	X			-	SALEABLE	34949-0310	34949-0320
33471-3340	DK.GRAY	C				YES	SALEABLE	34949-0310	34949-0320
33471-3341	LT.GRAY	B		X		YES	SALEABLE	34949-0310	34949-0320
33471-3342	DK.GRAY	C		X		YES	SALEABLE	34949-0310	34949-0320
33471-3343	DK.GRAY	C				-	SALEABLE	34949-0310	34949-0320
33471-3344	ST.GRAY	D				-	SALEABLE	34949-0310	34949-0320
33471-3345	DK.GRAY	C				YES	OBSOLETE--SEE P/N 33471-3340	34949-0310	34949-0320
33471-3346	ST.GRAY	D				YES	SALEABLE	34949-0310	34949-0320
33471-3347	YELLOW	A				YES	SALEABLE	34949-0310	34949-0320

*FOR ASSEMBLY P/N'S 33471-3340 AND 33471-3342 REFER TO SALEABLE KEY OPTION C ASSEMBLY P/N'S ABOVE

FUNCTIONAL SYMBOLS FA = 0 FC = 0 FP = 0 DIVISIONAL SYMBOLS	THIS DRAWING CONTAINS INFORMATION THAT IS PROPRIETARY TO MOLEX ELECTRONIC TECHNOLOGIES, LLC AND SHOULD NOT BE USED WITHOUT WRITTEN PERMISSION		CURRENT REV DESC:		 MX150 1X3 RECEPTACLE SEALED ASSEMBLY MAT SEAL PRODUCT CUSTOMER DRAWING
	DIMENSION UNITS mm	SCALE	EC NO: 643941 DRWN: XLDONG03 2020/08/21 CHK'D: JDENG02 2020/08/26 APPR: JDENG02 2020/08/26		
	GENERAL TOLERANCES (UNLESS SPECIFIED) ANGULAR TOL ± 3.0° 4 PLACES ± 3 PLACES ± 2 PLACES ± 0.1 1 PLACE ± 0.3 0 PLACES ±		INITIAL REVISION: DRWN: DMARCOUX 2002/06/18 APPR: FHOLUB 2002/06/18		
	DRAFT WHERE APPLICABLE MUST REMAIN WITHIN DIMENSIONS		THIRD ANGLE PROJECTION 	DRAWING D-SIZE	
DOCUMENT STATUS P1 RELEASE DATE 2020/08/26 07:23:55		DOCUMENT NUMBER SD-33471-031 DOC TYPE PSD DOC PART 001 REVISION R		MATERIAL NUMBER SEE BOM CUSTOMER GENERAL MARKET SHEET NUMBER 7 OF 7	