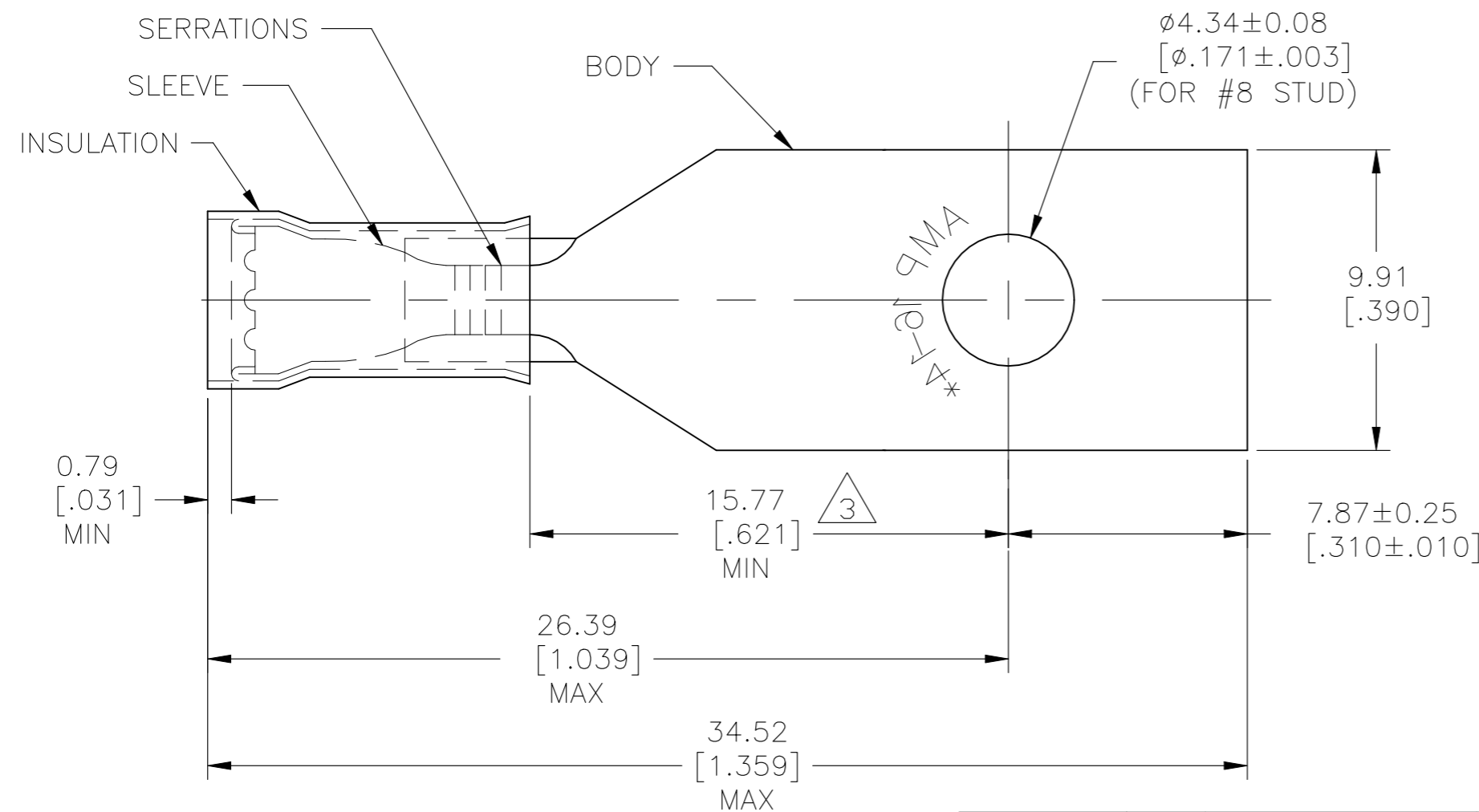


REVISIONS				
P	LTR	DESCRIPTION	DATE	APVD
	J3	REVISED PER ECN-22-156403	03JUN2022	RK CSD



- 1 TONGUE MATERIAL THK:  $0.79 \pm 0.05$  [.031 ± .002]
- 2 FOR "A" TO "B" WIRE INSULATION DIA.
- △3 APPLIES FROM THE METAL EDGE OF THE BARREL TO THE CENTER OF THE STUD
- △4 MEETS MS17143-2, CLASS 1

OBSOLETE	1	WIRE TERMINAL	INSULATION: NYLON (ASTM-D4066) TYPE 1 COLOR: BLUE BODY & SLEEVE: COPPER (ASTM-B152) TIN PL (ASTM-B545)	<del>2-327934-1</del>
OBSOLETE	1	2-327934-2 ON TAPE	INSULATION: NYLON COLOR: BLUE	<del>2-327934-3</del>
	1	WIRE TERMINAL	SLEEVE: COPPER (ASTM-B152) BODY: COPPER (ASTM-B152)	△4 2-327934-2
OBSOLETE	1	WIRE TERMINAL	TIN PL (ASTM-B545)	327934
	QTY	DESCRIPTION	MATERIAL AND FINISH	PART NO

2-327934-2	△4 2-327934-3	2.67 [.105]	3.81 [.150]	
<del>2-327934-1</del>	-	2.92 [.115]	4.32 [.170]	OBSOLETE
327934	-	2.92 [.115]	4.32 [.170]	OBSOLETE
PART NO	PART NO ON TAPE	"A"	"B"	

THIS DRAWING IS A CONTROLLED DOCUMENT.

DWN	RAGHAVENDRA	01SEP09	 TE Connectivity
CHK	JEFF RUTH	01SEP09	
APVD	TOM MICHIELUTTI	01SEP09	
NAME			
PRODUCT SPEC			WIRE TERMINAL, PIDG, RECTANGULAR TONGUE, WIRE SIZE: 16-14
APPLICATION SPEC			SIZE CAGE CODE DRAWING NO RESTRICTED TO
WEIGHT	-	A3 00779 C-327934	-
MATERIAL	SEE TABLE	FINISH	SEE TABLE
CUSTOMER DRAWING		SCALE	5:1 SHEET 1 OF 1 REV J3