

PROPRIETARY INFORMATION:

PROPRIETARY OF GLOBTEK, INC. ANY REPRODUCTION, DISCLOSURE OR USE OF THIS DRAWING, IN WHOLE OR IN PART, IS HEREBY PROHIBITED EXCEPT AS SPECIFIED IN WRITING BY GLOBTEK, INC.

REVISION HISTORY

REV	DESCRIPTION	SALES	RFS	DATE	APPROVED
A	INITIAL RELEASE	BS	26018	7/23/2015	HM
A1	FORMAT UPDATE	DR	27540	7/5/2020	DR
B	INTERNAL IMPEDANCE: $\leq 70m\Omega$ change to $\leq 180m\Omega$, OVER CURRENT DETECTION: 3.2A to 4.2 A change to 4.0A to 6.5A	MK	27710	3/28/2022	DR
B1	UPDATE CORE COLOR FROM WHITE & BLACK TO BLUE & BROWN	MK	27711	3/29/2022	DR

Foot Note:

Globtek Inc. will not be liable for the safety and performance of these power supplies if unauthorized access and repair occurs. End user should consult

Limitation of Use:

Globtek product are not authorized for use as mission critical components in life support hazardous environment, nuclear or aircraft applications without prior written approval from the CEO of Globtek Inc.

Contents of this document are subject to change without prior notice

 GlobTek, Inc.
www.globtek.com

186 Veterans Drive, Northvale, NJ 07467
 Tel. 201-784-1000 Fax 201-784-0111

Drawing Title: Li-Ion PRISMATIC BATTERY PACK

3.7 VOLTS @ 2200 mAh

MODEL NO: 603450

PART NO: BL2200F6034501S2PPMK

REV B1

PROPRIETARY INFORMATION:

PROPRIETARY OF GLOBTEK, INC. ANY REPRODUCTION, DISCLOSURE OR USE OF THIS DRAWING, IN WHOLE OR IN PART, IS HEREBY PROHIBITED EXCEPT AS SPECIFIED IN WRITING BY GLOBTEK, INC.

By customer signing or accepting this document, they agree to acknowledge and accept the **Guidelines and cautions, Safety Notes, and Safety Precautions published on GlobTek's website**
http://en.globtek.com/safety-cautions.php#.UUD-NRzU_I8

GlobTek offers a 5-year warranty on workmanship and electrical components assembly on all new battery pack products excluding the battery cells themselves which are covered by the Manufacturer's original warranty at their published warranty period. Please refer to the manufacturer's manufacturer's warranty policy for cells. For GlobTek brand cells, GlobTek provides a 12-month warranty for Li-Ion batteries. The warranty period is based upon the expectation that the battery will deliver 80% of its initial capacity after 300 cycles at low to moderate power loads. High power loads may cause a battery to reach 80% of initial capacity in less than the 12-month warranty period. Li-Ion batteries will continue to operate below the 80% capacity threshold; however, the capacity (run time) delivered between charges will continue to decrease.

The purchaser of GlobTek battery pack products (Customer) agrees that they are a "Sophisticated user" who understands battery technology and that it is their sole responsibility to determine suitability of the product described for their application and to take precautions for protection against any hazards attendant to the handling and use of the product. GlobTek products are only designed for professional use and integration by companies into their products and may not be used by consumers directly. GlobTek provides batteries and battery packs as a component of an end system.

The acceptance of GlobTek specifications, the information on this page and use of the product(s) described in this or other GlobTek documents indicate that the product was qualified for use (tested and/or sample waiver signed), and the acceptance and binding of the customer to GlobTek terms and conditions, which supersede all other agreements, terms and conditions
<http://en.globtek.com/terms-and-conditions/>

Customer Approval of Specification:

Please approve, sign and send back to GlobTek so we can complete order processing.

A delay in receipt of this form will delay delivery schedule.

Company Name:

Customer P/N:

Quote Number:

Date:

Authorized Representative Name:

Authorized Representative Signature:

 GlobTek, Inc.
www.globtek.com

186 Veterans Drive, Northvale, NJ 07467
Tel. 201-784-1000 Fax 201-784-0111

Drawing Title: Li-Ion PRISMATIC BATTERY PACK

3.7 VOLTS @ 2200 mAh

MODEL NO: 603450

PART NO: BL2200F6034501S2PPMK

REV B1

PROPRIETARY INFORMATION:

PROPRIETARY OF GLOBTEK, INC. ANY REPRODUCTION, DISCLOSURE OR USE OF THIS DRAWING, IN WHOLE OR IN PART, IS HEREBY PROHIBITED EXCEPT AS SPECIFIED IN WRITING BY GLOBTEK, INC.

1.GENERAL SPECIFICATION:

BATTERY WITH SAFETY CIRCUIT AND PLASTIC HOUSING

CELL:	603450
PCM:	GLOBTEK STANDARD
NTC:	N/A
ID:	N/A
CONFIGURATION:	1S2P
WEIGHT:	APPROX. 15.5 G

2.ELECTRICAL SPECIFICATION:

RATED CAPACITY:	2000 mAh MIN, 2200mAh TYPICAL
NOMINAL VOLTAGE:	3.7
WATT-HOUR RATING:	8.14WH
CHARGING METHOD:	CONSTANT CURRENT + CONSTANT VOLTAGE
MAX. CHARGE VOLTAGE [V]:	4.20 (±50mV)
CHARGE CURRENT:	0.5C TYPICAL / 1.0C MAXIMUM
REC. CHARGE CUT OFF:	BY CURRENT 50mA OR TIMER 4H
MAX. CONTINUOUS DISCHARGE CURRENT:	IC
REC. DISCHARGE CUT OFF:	3V
INTERNAL IMPEDANCE:	≤180 mΩ
EXP. CYCLE LIFE:	>500 CYCLES > 70% OF INITIAL CAP. (0,5C/0,5C)
CELL PROTECTION:	

OVER CHARGE DETECTION: 4.3 ±0.02V
(0.8 TO 1.2 SEC. DELAY, RESUME 4.1 ±0.03V)

OVER DISCHARGE DETECTI 2.40 ±0.035V
(76,8 to 115msec. DELAY, RESUME REMOVE LOAD & CHARGING CURRENT
OVER CURRENT DETECTION 4.0A to 6.5 A (9.6 to 14.4 msec. DELAY)

3. AMBIENT CONDITIONS

TEMPERATURE RANGE:	
CHARGE:	0 TO +45°C
DISCHARGE:	-20 TO +60°C
CHARGE RETENTION/STORAGE [%]:	1 YEAR AT -20 TO +20°C >80% 3 MONTHS AT -20 TO +45°C >80% 1 MONTH AT -20 To +60°C >80%
HUMIDITY:	65 ±20%RH

4.ENVIORMENTAL AND SAFETY

PLEASE FOLLOW GlobTek, Inc. HANDLING AND SAFETY PRECAUTIONS FOR Lilon & LiPolymer.

5. CELL REGULATORY APPROVALS:

UL:	CELL APPROVED TO UL 1642
-----	--------------------------

6. BATTERY PACK APPROVALS:

RoHS:	COMPLIES WITH EU 2002/95/EC AND CHINA SJ/T 11363-2006
CE Mark:	COMPLIES WITH 2004/108/EC ELECTROMAGNETIC COMPATIBILITY INCLUDING BUT NOT LIMITED TO EN61000-6-1:2007, EN61000-6-3:2007
TRANSPORTATION:	PACK DESIGNED TO MEET un38.3

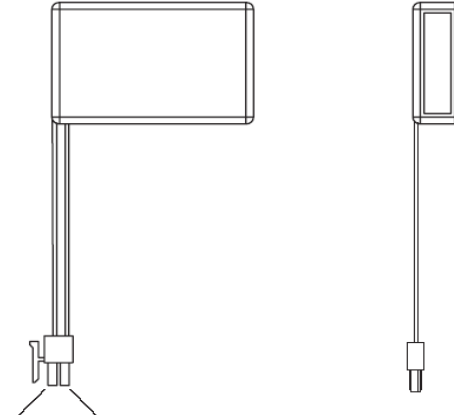


PROPRIETARY INFORMATION:

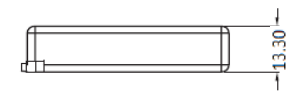
PROPRIETARY OF GLOBTEK, INC. ANY REPRODUCTION, DISCLOSURE OR USE OF THIS DRAWING, IN WHOLE OR IN PART, IS HEREBY PROHIBITED EXCEPT AS SPECIFIED IN WRITING BY GLOBTEK, INC.

7. MECHANICAL:

DIMENSIONS:	56.00 x 35.00 x 13.30 mm
SHRINK WRAP:	BLUE PVC
WIRE TYPE:	2 x 20AWG, WITH ROUND SILICON
	RUBBER OVERALL JACKET (ANY COLOR).
	EXAMPLE CABLE TYPE H05SS-F FOR
	REFERENCE ONLY.
WIRE LENGTH:	100 mm +/- 5.0
WIRE POLARITY:	BLUE POSITIVE (+)
WIRE POLARITY:	BROWN NEGATIVE (-)
STRIP LENGTH:	SEE TERMINALS NEXT PAGE
TIN LENGTH:	N/A
ADDITIONAL REQUIREMENTS:	SEE TERMINALS NEXT PAGE



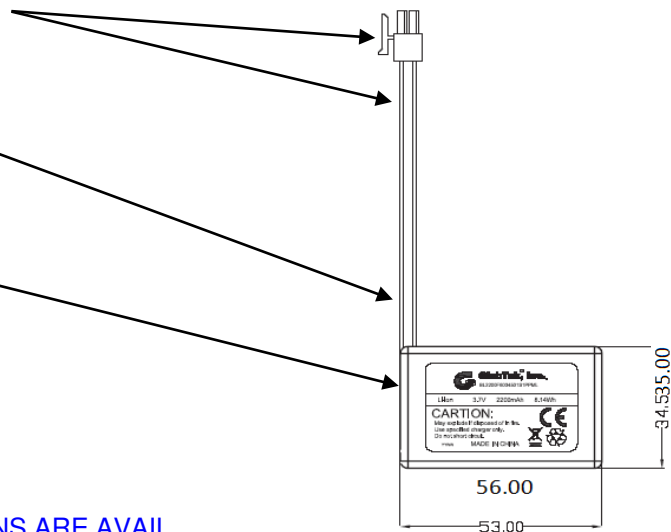
PIN 2: +V (BLUE) PIN 1: -V(BROWN)



⚠ CABLE JACKET AND STRAIN RELIEF OVERMOLD NOT SHOWN (SEE PAGE 5)

⚠ WIRES MUST EXIT FROM SIDE OF BATTERY PACK

⚠ PCM MUST BE LOCATED ON TOP OF PACK



[ADDITIONAL OUTPUT PLUG OPTIONS ARE AVAIL](#)
[STANDARD PLUGS AND CONNECTORS CAN BE SEEN ONLINE BY CLICKING THIS LINK](#)

GlobTek, Inc.
www.globtek.com

186 Veterans Drive, Northvale, NJ 07467
 Tel. 201-784-1000 Fax 201-784-0111

Drawing Title: Li-Ion PRISMATIC BATTERY PACK

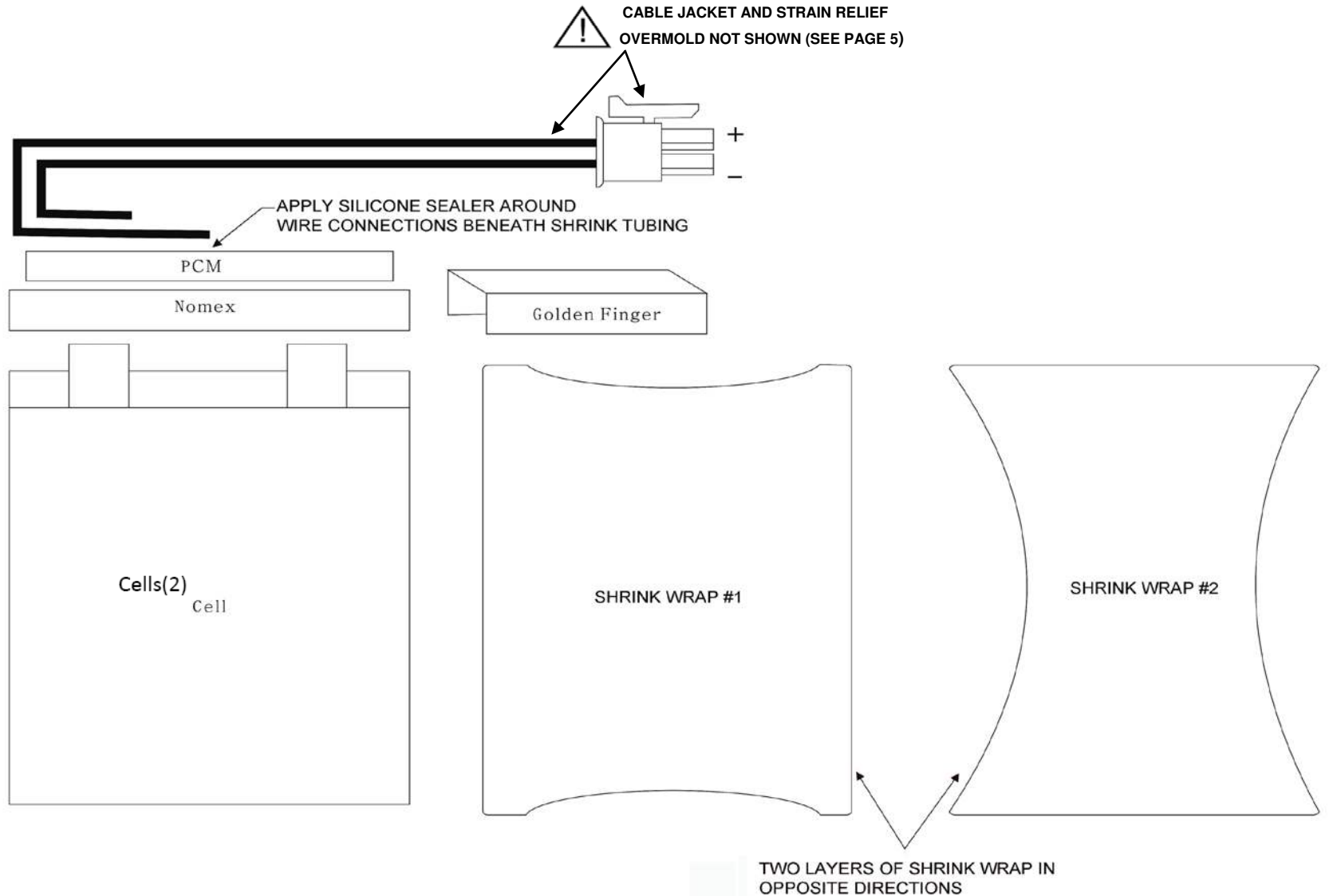
3.7 VOLTS @ 2200 mAh

MODEL NO: 603450

PART NO: BL2200F6034501S2PPMK

REV B1

EXPLODED VIEW

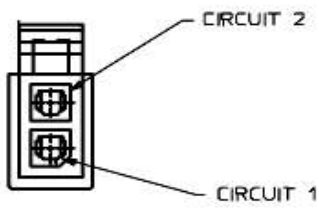


8. OUTPUT CONNECTOR:

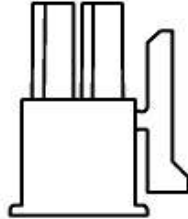
ACTUAL CONNECTOR'S, OVERMOLDS, MAY VARY SLIGHTLY FROM THE PICTURE BELOW



MOLEX CONNECTOR MUST BE USED
(NO EQUIVALENT)

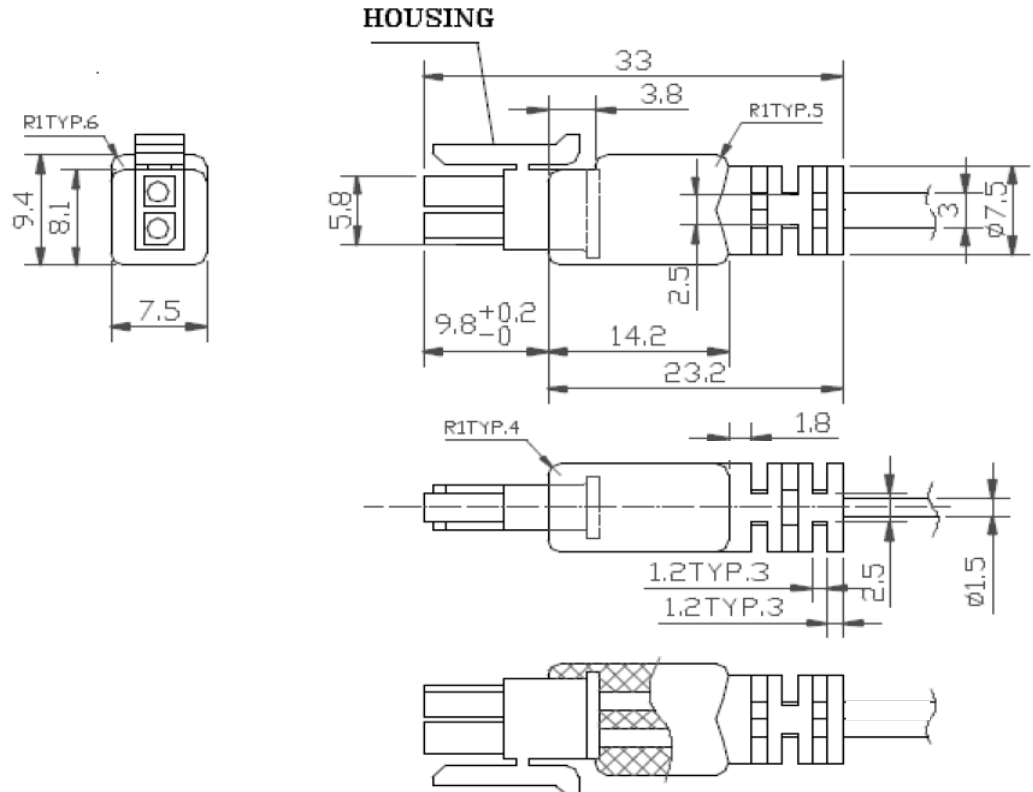


2 CIRCUIT HOUSING



PIN 1: -V(BROWN)
PIN 2: +V(BLUE)

	EQUIVALENT	Y / N	
PLUG TYPE		N	MOLEX 43025-0200, 2 POS WITH OVERMOLD
CONTACTS		N	MOLEX 43030-0001
PIN 1			BROWN(-V)
PIN 2			BLUE(+V)
ADDITIONAL REQUIREMENTS			N/A



PROPRIETARY INFORMATION:

PROPRIETARY OF GLOBTEK, INC. ANY REPRODUCTION, DISCLOSURE OR USE OF THIS DRAWING, IN WHOLE OR IN PART, IS HEREBY PROHIBITED EXCEPT AS SPECIFIED IN WRITING BY GLOBTEK, INC.

9. LABEL:

MATERIAL:	TBD
BACKGROUND COLOR:	WHITE
TEXT COLOR:	BLACK
LABEL WIDTH: (mm)	TBD
LABEL HEIGHT: (mm)	TBD
ADDITIONAL REQUIREMENTS:	N/A

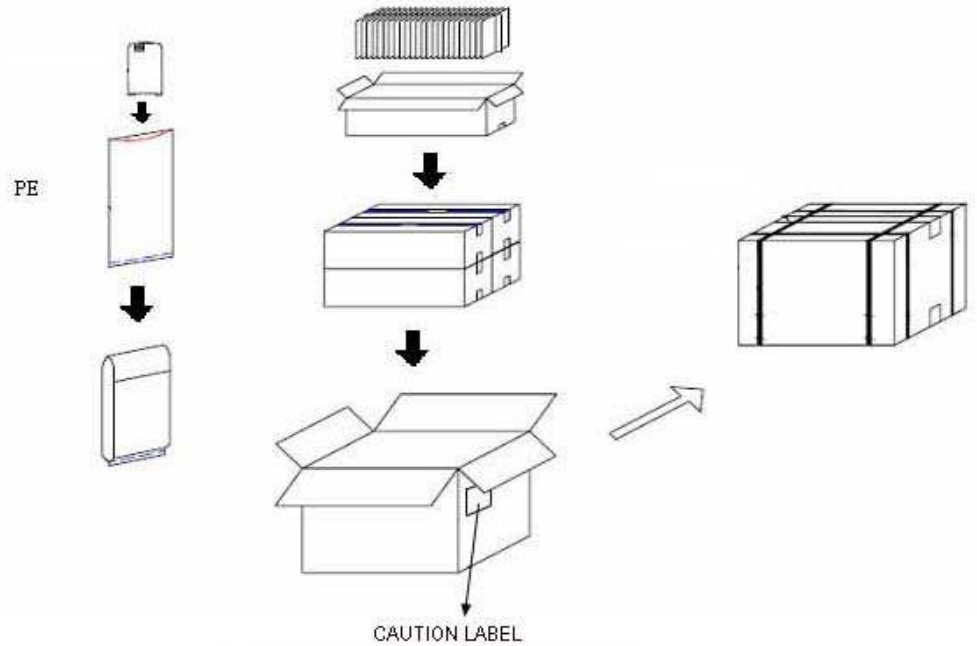
The label design is contained within a rounded rectangular border. At the top is the GlobTek logo, consisting of a stylized 'G' with a globe inside, followed by the text 'GlobTek, Inc.' and the website 'www.globtek.com'. Below this is the model number 'BL2200F6034501S2PPMK'. A thick black horizontal bar contains the text 'Li-ion 3.7V, 2200mAh, 8.14 Wh' in white. Underneath the bar, the word 'CAUTION:' is followed by three bullet points: '• May explode if disposed of in fire.', '• Use specified charger only.', and '• Do not short circuit.'. To the right of the text are three icons: a large 'CE' mark, a recycling symbol, and a crossed-out trash can symbol. At the bottom of the label, the text '201309 MADE IN CHINA' is displayed.

PROPRIETARY INFORMATION:

PROPRIETARY OF GLOBTEK, INC. ANY REPRODUCTION, DISCLOSURE OR USE OF THIS DRAWING, IN WHOLE OR IN PART, IS HEREBY PROHIBITED EXCEPT AS SPECIFIED IN WRITING BY GLOBTEK, INC.

10. PACKAGING:

PE BAG SIZE	TBD
CARTON SIZE:	TBD
QUANTITY PER CARTON:	TBD
G.W.	TBD



GlobTek, Inc.

www.globtek.com

186 Veterans Drive, Northvale, NJ 07467

Tel. 201-784-1000 Fax 201-784-0111

Drawing Title: Li-ion PRISMATIC BATTERY PACK

3.7 VOLTS @ 2200 mAh

MODEL NO: 603450

PART NO: BL2200F6034501S2PPMK

REV B1