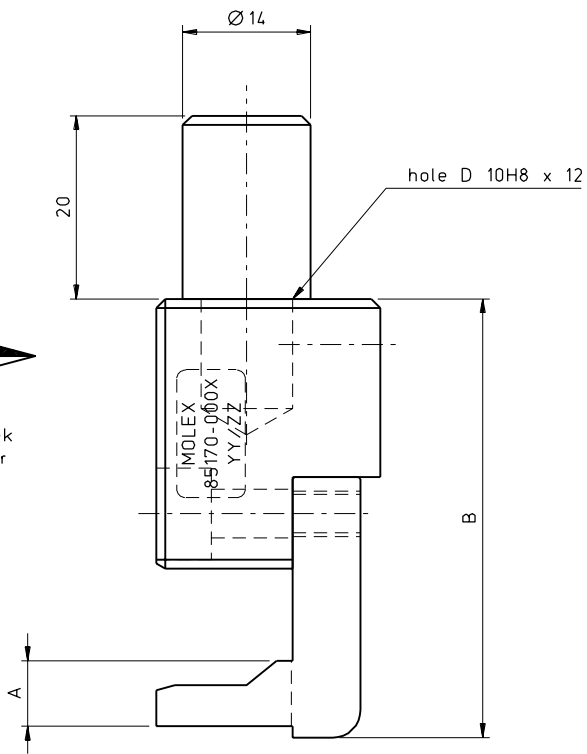
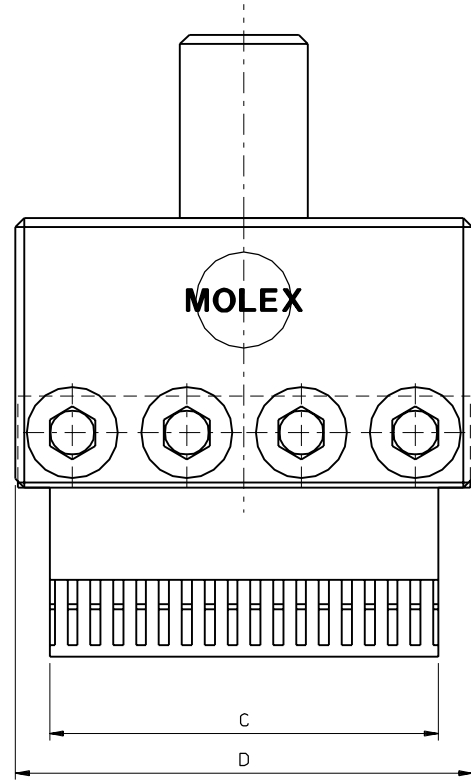


PART NO.
DWG. NO.

YY = week
ZZ = year



View Z



Mat. Nr.	Description	A	B	C	D
85170-0001	Press tool Vertical female 4SU/22	10.7	71.45	92.5	100
85170-0002	Press tool Vertical female 4SU/18.5	7.2	67.95	92.5	100
85170-0003	Press tool Vertical female 2SU/22	10.7	51.45	42.5	50
85170-0004	Press tool Vertical female 2SU/18.5	7.2	47.95	42.5	50
85170-0005	Press tool Vertical female 1SU/22	10.7	51.45	17.5	25
85170-0006	Press tool Vertical female 1SU/18.5	7.2	47.95	17.5	25

EC NO. 2502
 DRWN: T. Betz 4 / 6 97
 CHK: / /
 APPR: / /
 A

DESCRIPTION
 MAJOR
 CRITICAL
 C

QUALITY SYMBOLS
 GENERAL TOLERANCES: (UNLESS SPECIFIED)
 mm INCH
 4 PLACES ±0. ±.
 3 PLACES ±0. ±.
 2 PLACES ±0. ±.
 1 PLACE ±0. ±.
 ANGULAR: ± 1/2°
 DRAFT WHERE APPLICABLE MUST REMAIN WITHIN DIMENSIONS

SCALE 2:1
 DESIGN UNITS mm INCH
 DRAWN BY & DATE T.B. 4 / 10 / 95
 CHECKED BY & DATE / /
 APPROVED BY & DATE / /
 CAD FILENAME 85170001.S01

DIMENSIONS: mm INCH mm ONLY
 THIRD ANGLE PROJECTION
 TITLE: Omnigridd Press Tool Vertical Female
 MOLEX INCORPORATED
 MATERIAL NO. see chart SD
 DRAWING NO. -85170-001
 SHEET NO. 10F 1
 THIS DRAWING CONTAINS INFORMATION THAT IS PROPRIETARY TO MOLEX INCORPORATED AND SHOULD NOT BE USED WITHOUT WRITTEN PERMISSION.
 SIZE B