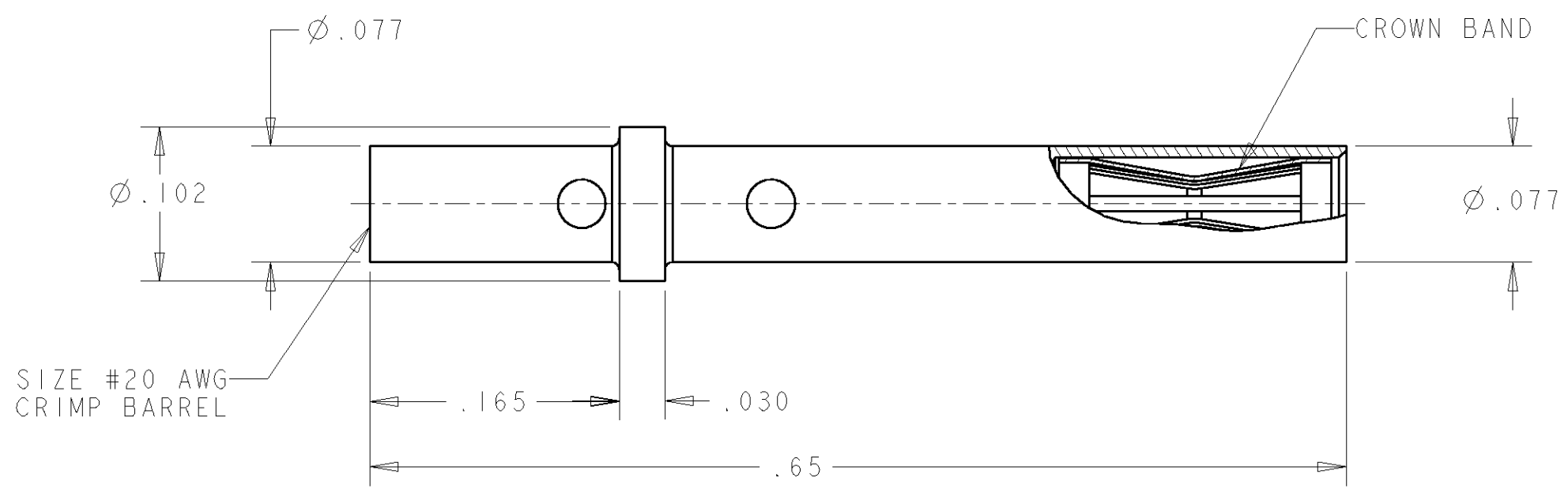


THIS DRAWING IS UNPUBLISHED. RELEASED FOR PUBLICATION 20  
 © COPYRIGHT BY ALL RIGHTS RESERVED.

LOC	DIST	REVISIONS					
GP	00	P	LTR	DESCRIPTION	DATE	DWN	APVD
		A1		REVISED PER ECO-11-005294	30APR11	RK	HMR



1. PART NUMBER CHANGES AND/OR DESIGN CHANGES AFFECTING ITEM INTERCHANGEABILITY REQUIRES PRIOR TYCO APPROVAL AND AUTHORIZATION BY REVISION TO THIS DRAWING.

2 MATERIAL:  
 BODY: COPPER ALLOY  
 CROWN BAND: BERYLLIUM COPPER

3 FINISH:  
 BODY: GOLD PLATE .000010 MIN THK. OVER NICKEL  
 .000040 MIN THK.  
 CROWN BAND: GOLD PLATE .000030 MIN THK. IN CONTACT AREA  
 OVER NICKEL .000040 MIN THK.

4. ITEMS PROVIDED TO THIS SPECIFICATION TO BE PERMANENTLY IDENTIFIED ON THE CONTAINER PER THE FOLLOWING IDENTIFIER:

AS SHOWN	1648325-1
DESCRIPTION	PART NUMBER

TE CONNECTIVITY NUMBER: XXXXXXXX-X  
 DATE CODE (eg. 0216): YEAR WEEK  
 XXXX

DOWNS: R.GRZYBOWSKI 07 JUN 2006			
CHECKS: S.FLICKINGER 07 JUN 2006			
APPROVED: S.FLICKINGER 07 JUN 2006		NAME: CONTACT, SOCKET, SIZE NO. 20 CRIMP STYLE, LOW INSERTION FORCE	
DIMENSIONS: INCHES		PRODUCT SPEC: -	
TOLERANCES UNLESS OTHERWISE SPECIFIED:		APPLICATION SPEC: -	
0 PLC ±-		WEIGHT: -	
1 PLC ±-		SIZE: A3	
2 PLC ±.01		CAGE CODE: 00779	
3 PLC ±.005		DRAWING NO: C-1648325	
4 PLC ±-		RESTRICTED TO: -	
ANGLES ±.5		SCALE: 10:1	
MATERIAL: 2		SHEET: 1 OF 1	
FINISH: 3		REV: A1	
CUSTOMER DRAWING			