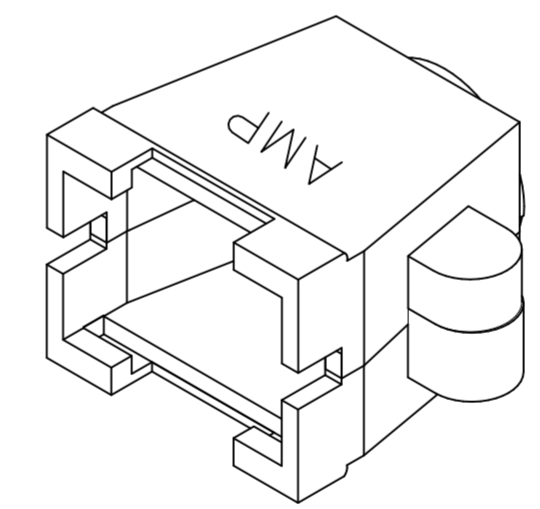
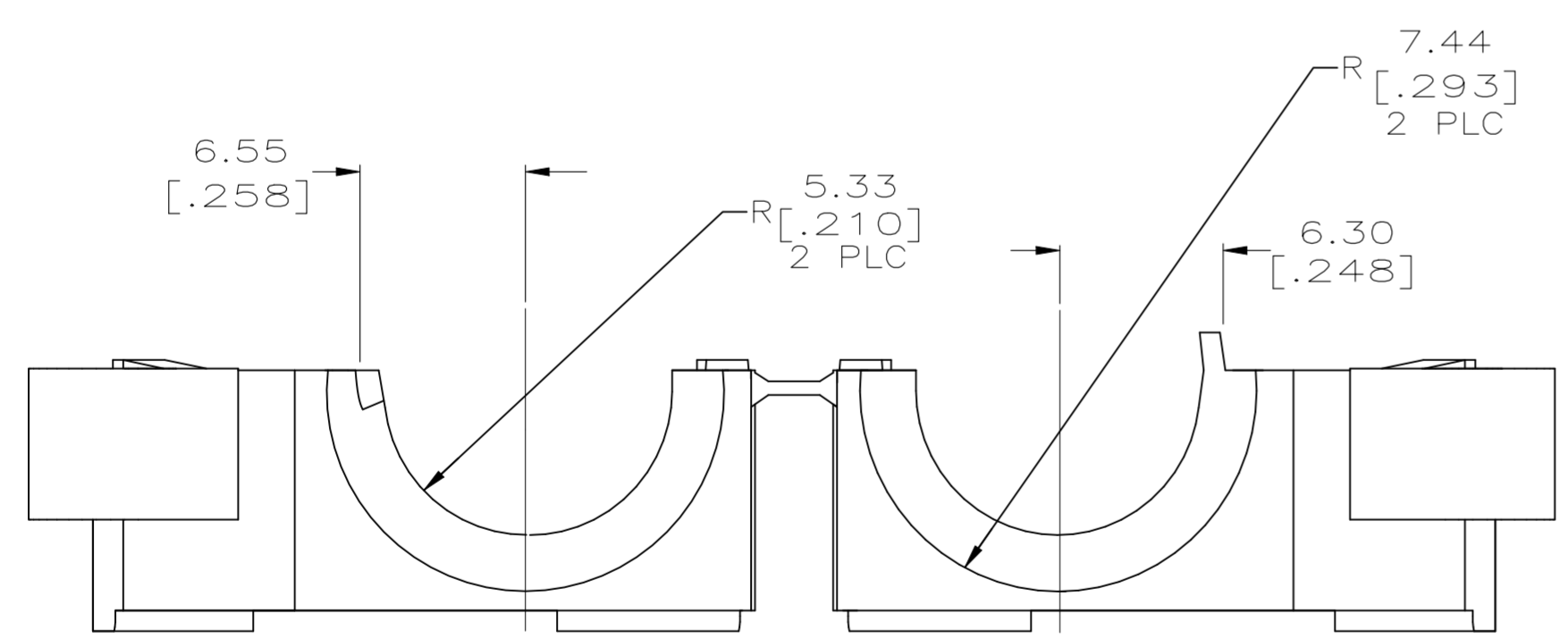
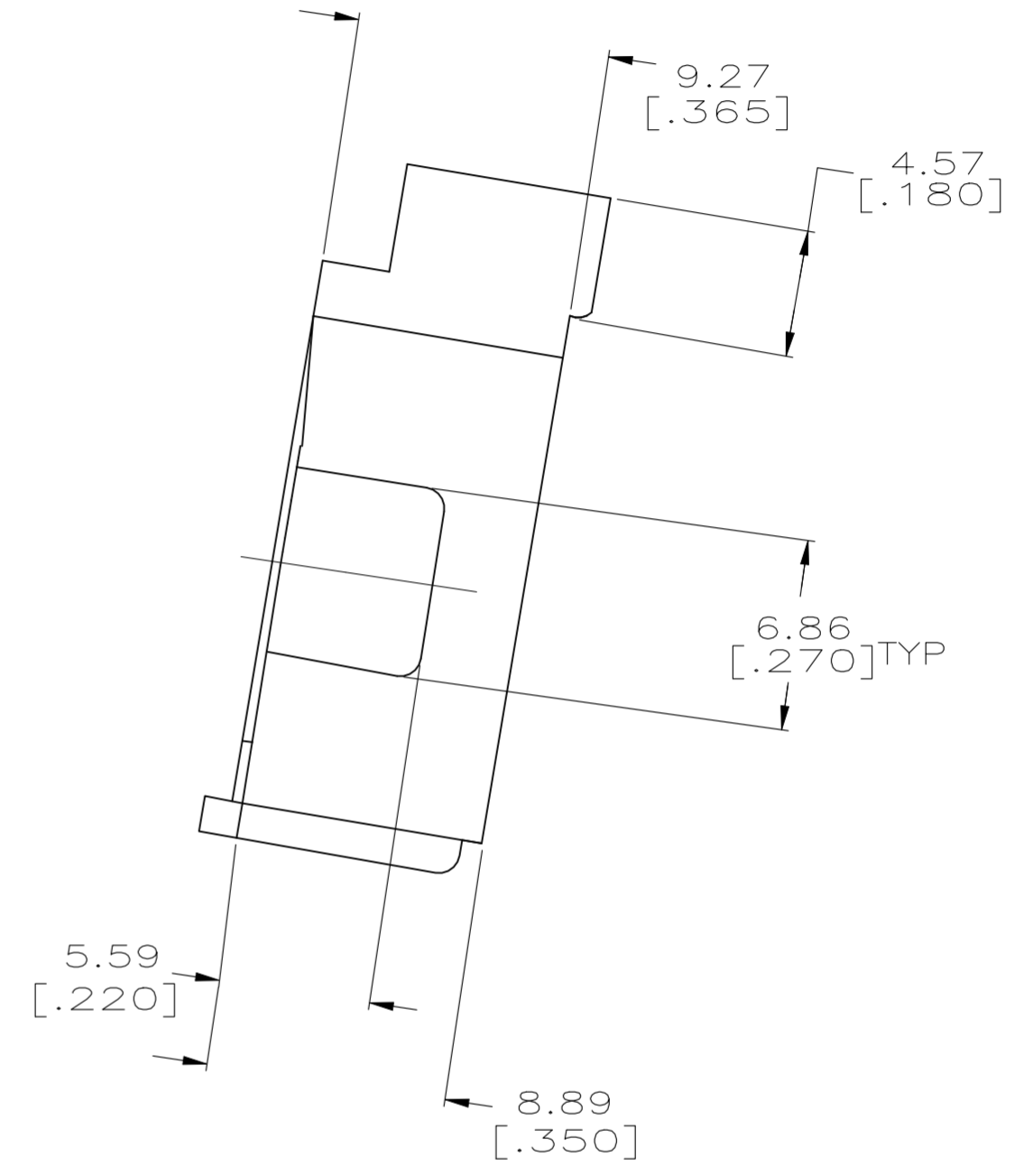
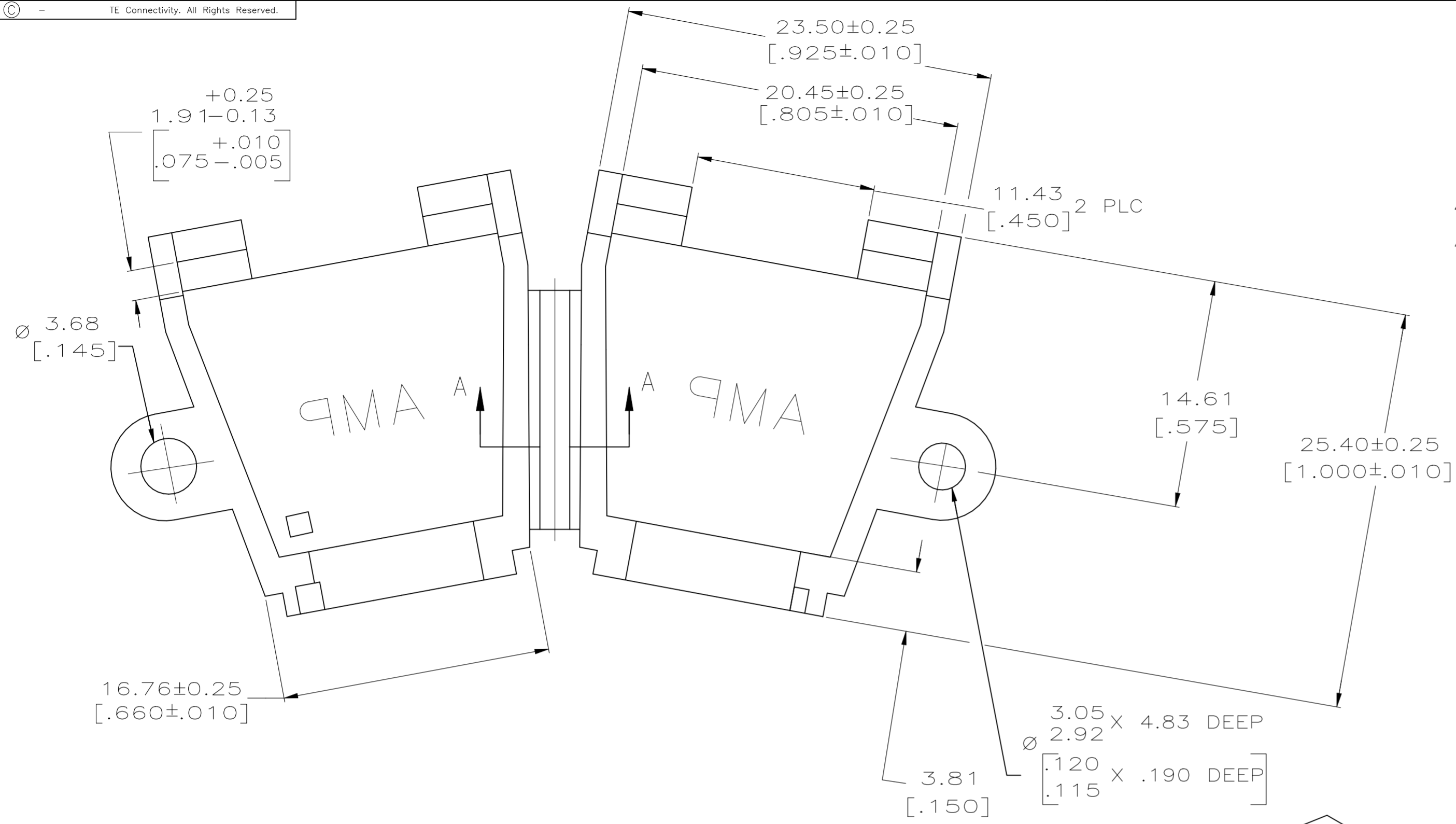
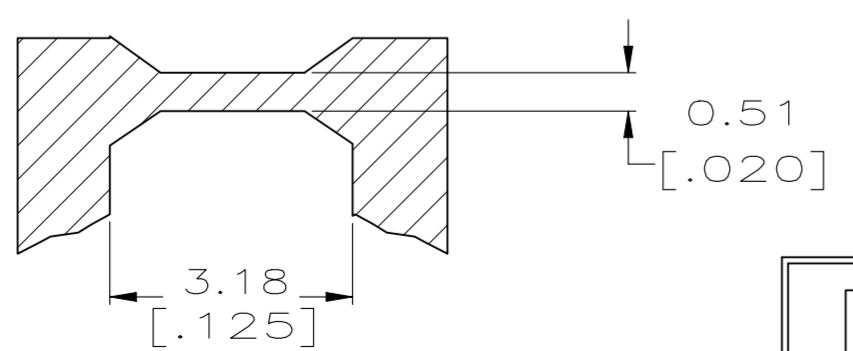


REVISIONS				
P	LTR	DESCRIPTION	DATE	APVD
M		ECO-21-006916	14DEC2021	RK MZ

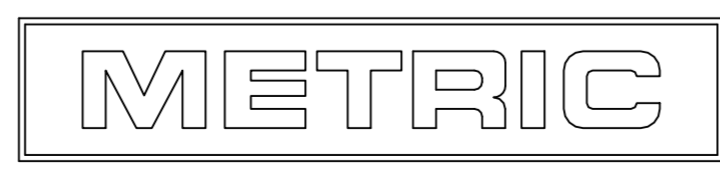
1. REQUIRES A #6 PAN HEAD TYPE "B" SELF TAPPING PAN HEAD SCREW, 9.53 [.375] LONG.
2. DIMENSIONS IN BRACKETS ARE IN INCHES.
- 3 HOUSING MATERIAL: PA66, BLACK, UL 94 V-0 RATED
- 4 HOUSING MATERIAL: PA66, BLACK, UL 94 V-2 RATED



3-DIMENSIONAL MODEL NTS



SECTION A-A SCALE 10:1



4	1-350374-9
3	350374-1
MATERIAL	PART NO

THIS DRAWING IS A CONTROLLED DOCUMENT.		DWN	K. SALMON	6-28-93
DIMENSIONS: mm [INCHES]		CHK	R. SWING	6-28-93
TOLERANCES UNLESS OTHERWISE SPECIFIED:		APVD	W. LONG	7-20-94
0 PLC	± -	PRODUCT SPEC	NAME	
1 PLC	± -	APPLICATION SPEC	STRAIN RELIEF, HINGED, 12 POSITION	
2 PLC	± 0.13[.005]	WEIGHT	-	SIZE
3 PLC	± -	FINISH	-	CAGE CODE
4 PLC	± -	CUSTOMER DRAWING	-	DRAWING NO
ANGLES	± -	SCALE	4:1	SHEET
FINISH	-	SCALE	4:1	1 OF 1
SEE TABLE	-	REV	M	RESTRICTED TO

350374

A