

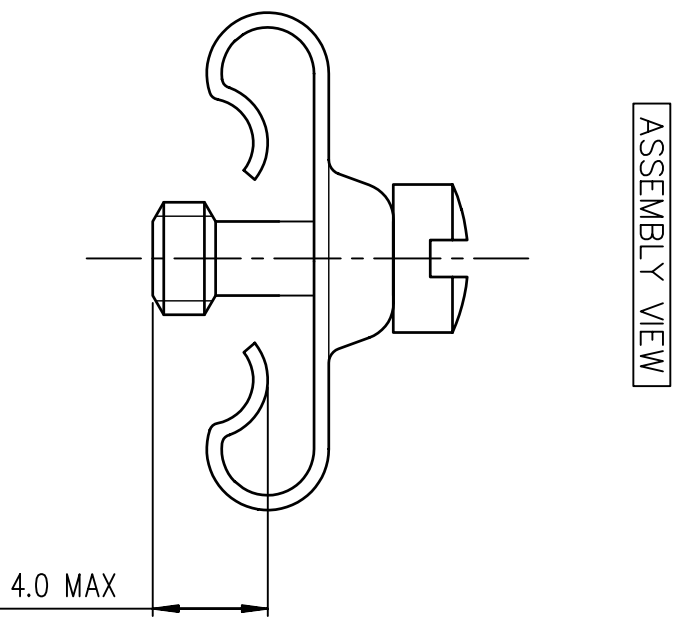
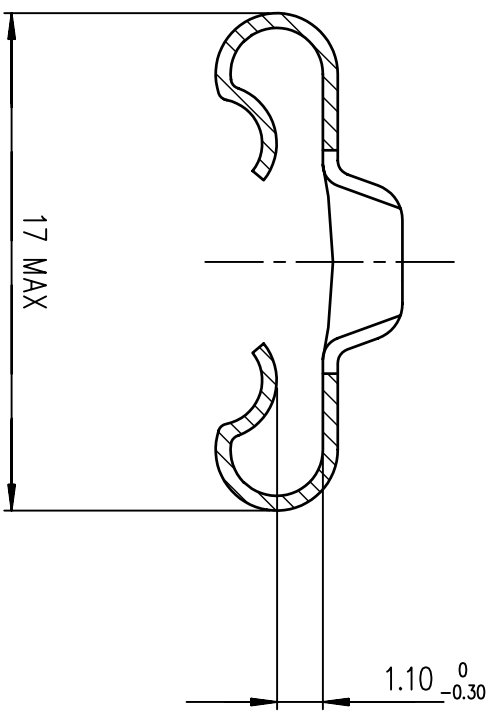
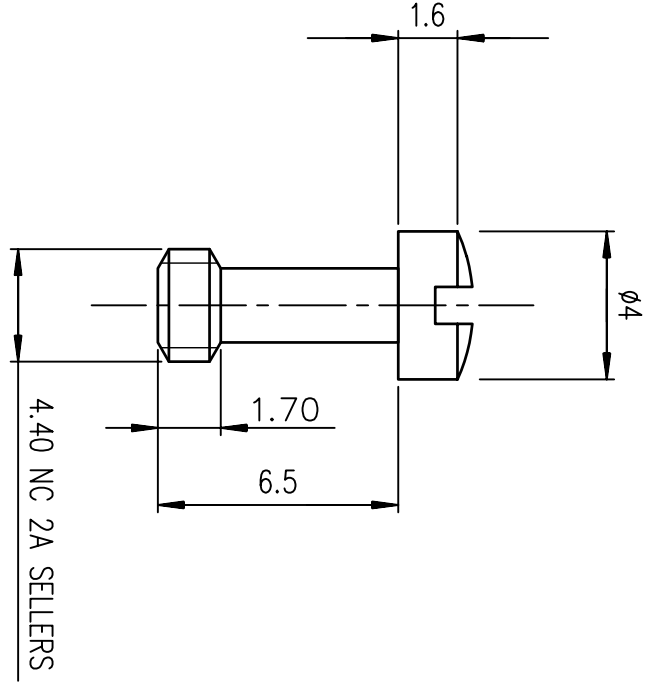
A

B

C

D

NOTES
 Pieces assembly
 Packaging : per 100 pieces
 Material : steel
 Plating : tin
 Thread : UNC 4.40



NOTE:RoHS INFORMATIONS

- The "LF" products meet European union Directives and other country regulations as described in GS-22-008.
- Plating Sn (pure bright) over copper
- Packaging spec: see GS-14-920

rev	ecn no	dr	date
H	EX-H-01663	PK	2012/05/09
J	EX-H-01686	PK	2012/05/21
C	LS06-0097	LGO	2006/07/28
D	LS09-0006	PCR	2009/01/08
E	109-0168	AMR	2009/08/14
F	111-0022	AMR	2011/01/25
G	111-0165	PK	2011/10/05

Part number **863003ATLF**

www.fciconnect.com		surface ISO 1302	tolerance std ISO 406 ISO 1101	projection	Scale
Dr BART	2004/02/26	ANGULAR	0.X	A3	5
Eng PESSON	2004/02/26	LINEAR	0.XX	ECN	ELX-H-0116886
Chr ABHILASH	2009/07/10	0.XX ± 2	0.XXX	Product family	
Appr SUDHIR	2009/07/10	Product family		D-SUB	Spec ref -
MALE SCREW LOCKS		TOLERANCES UNLESS OTHERWISE SPECIFIED		mm	
SHELL 50 D SUB ACCESSORIES		-		Rev. J	