



## 0 to 10 dB Step Attenuator With a 1 dB Step SMA Female Connectors Rated Up To 3 GHz and Up to 2 Watts in a Dial Design

### RF Step Attenuators Technical Data Sheet

**PE70A1035**

#### Features

- 1 dB steps from 0 to 10 dB Attenuation
- Rotary Dial Control
- SMA Female Connectors
- -20°C to +85°C Operating Temperature
- ±1 dB Attenuation Accuracy Max

#### Applications

- Instrumentation
- Precision Measurements
- Prototyping and Characterization
- Production Systems

#### Description

The PE70A1035 is a Step Attenuator that has 10 dB of total attenuation with 1 dB step size and rotary dial design across a frequency range from DC to 3 GHz. The design is tried and true technology that offers exceptional performance characteristics that include 0.5 dB maximum insertion loss, and a maximum VSWR of 1.4:1 at 3 GHz. The design also features excellent attenuation accuracy with ±1 dB max at 3 GHz. The Brass alloy package has SMA Female connectors, and operates within the temperature range of -20°C to 85°C.

#### Electrical Specifications

Description	Minimum	Typical	Maximum	Units
Frequency Range	DC		3	GHz
Impedance		50		Ohms
Insertion Loss			0.5	dB
Attenuation Value		0 to 10		dB
Step Size		1		dB
Step Type		Dial		
Input Power (CW)			2	Watts
Input Power, Peak			100	Watts
VSWR			1.4:1	

#### Specifications by Frequency

Description	F1	F2	F3	F4	F5	Units
Range	DC to 1	1 to 2	2 to 3			GHz
VSWR	1.2:1	1.25:1	1.4:1			
Attenuation Accuracy	0.7	0.8	1			dB

Click the following link (or enter part number in "SEARCH" on website) to obtain additional part information including price, inventory and certifications: [0 to 10 dB Step Attenuator With a 1 dB Step SMA Female Connectors Rated Up To 3 GHz and Up to 2 Watts in a Dial Design PE70A1035](#)



# 0 to 10 dB Step Attenuator With a 1 dB Step SMA Female Connectors Rated Up To 3 GHz and Up to 2 Watts in a Dial Design

## RF Step Attenuators Technical Data Sheet

**PE70A1035**

### Mechanical Specifications

**Size**

Length	2.48 in [62.99 mm]
Width	1.18 in [29.97 mm]
Height	1.69 in [42.93 mm]
Weight	0.45 lbs [204.12 g]

**Connectors**

Description	Connector 1	Connector 2
Type	SMA Female	SMA Female

### Environmental Specifications

**Temperature**

Operating Range	-20 to 85 deg C
-----------------	-----------------

**Compliance Certifications** (see [product page](#) for current document)

### Plotted and Other Data

Notes:

0 to 10 dB Step Attenuator With a 1 dB Step SMA Female Connectors Rated Up To 3 GHz and Up to 2 Watts in a Dial Design from Pasternack Enterprises has same day shipment for domestic and International orders. Our RF, microwave and millimeter wave products maintain a 99.4% availability and are part of the broadest selection in the industry.

Click the following link (or enter part number in "SEARCH" on website) to obtain additional part information including price, inventory and certifications: [0 to 10 dB Step Attenuator With a 1 dB Step SMA Female Connectors Rated Up To 3 GHz and Up to 2 Watts in a Dial Design PE70A1035](#)

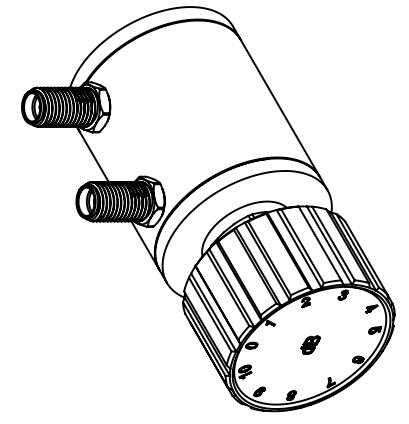
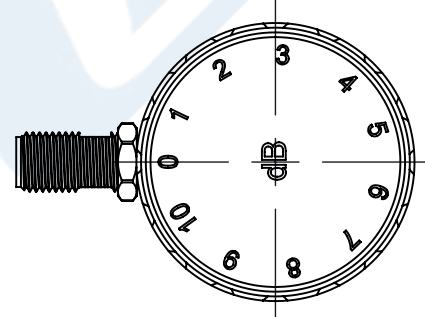
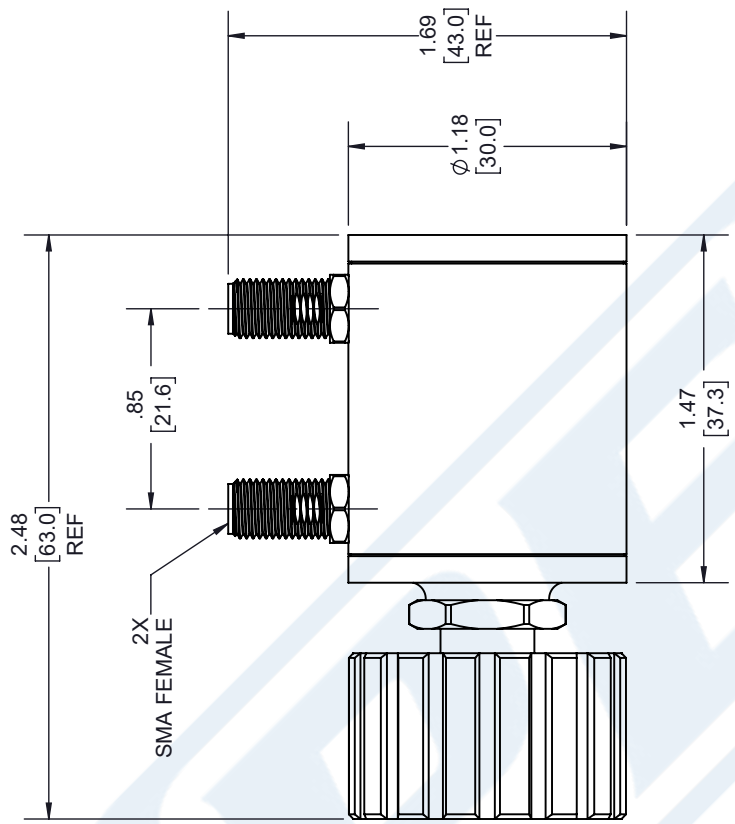
URL: <https://www.pasternack.com/10db-step-sma-female-sma-female-2-watts-attenuator-pe70a1035-p.aspx>

The information contained in this document is accurate to the best of our knowledge and representative of the part described herein. It may be necessary to make modifications to the part and/or the documentation of the part, in order to implement improvements. Pasternack reserves the right to make such changes as required. Unless otherwise stated, all specifications are nominal. Pasternack does not make any representation or warranty regarding the suitability of the part described herein for any particular purpose, and Pasternack does not assume any liability arising out of the use of any part or documentation.

# PE70A1035 CAD Drawing

0 to 10 dB Step Attenuator With a 1 dB Step SMA Female Connectors  
Rated Up To 3 GHz and Up to 2 Watts in a Dial Design

REVISIONS			
REV.	DESCRIPTION	DATE	APPROVED
A	INITIAL RELEASE	4/15/2022	S. PONG



THIRD-ANGLE PROJECTION

THE INFORMATION AND DESIGN IN THIS DOCUMENT IS THE PROPERTY OF PASTERNAK CORPORATION ALL RIGHTS RESERVED.

SHEET 1 OF 1

SCALE N/A

REV A

---

**PE PASTERNAK**  
an INFINITI brand

Pasternack Enterprises, Inc.  
P.O. Box 16759, Irvine, CA 92623.  
Phone: 1.949.261.1920 | 1.866.727.8376  
Fax: 1.949.261.7451  
Website: www.pasternack.com  
E-mail: sales@pasternack.com

SIZE A CAGE CODE 53919 DRAWN BY K.DANG ITEM NO. PE70A1035

---

UNLESS OTHERWISE SPECIFIED LEADING DIMENSIONS ARE INCHES DIMENSIONS IN [ ] ARE MILLIMETERS

TOLERANCES:

.X = ±.2 [5.08] FRACTIONS ± 1/32  
.XX = ±.02 [.51] ANGLES ± 1°  
.XXX = ±.005 [.13]

CABLE LENGTH (L) TOLERANCES:  
L ≤ 12 [305] = +1 [25] / -0  
12 [305] < L ≤ 60 [1524] = +2 [51] / -0  
60 [1524] < L ≤ 120 [3048] = +4 [102] / -0  
120 [3048] < L ≤ 300 [7620] = +6 [152] / -0  
300 [7620] < L = +5% / -0

ALL DIMENSIONS SHOWN ARE FOR REFERENCE ONLY.

THESE COMMODITIES, TECHNOLOGY OR SOFTWARE WERE EXPORTED FROM THE UNITED STATES IN ACCORDANCE WITH THE EXPORT ADMINISTRATION REGULATIONS. DIVERSION CONTRARY TO U.S. LAW PROHIBITED.