

THIS DRAWING IS UNPUBLISHED.

RELEASED FOR PUBLICATION

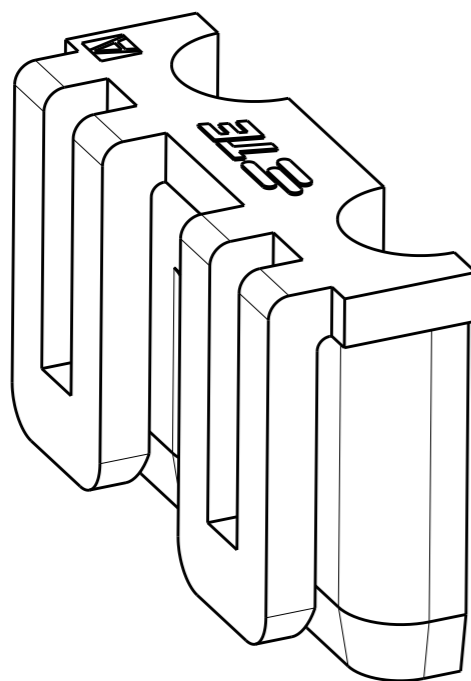
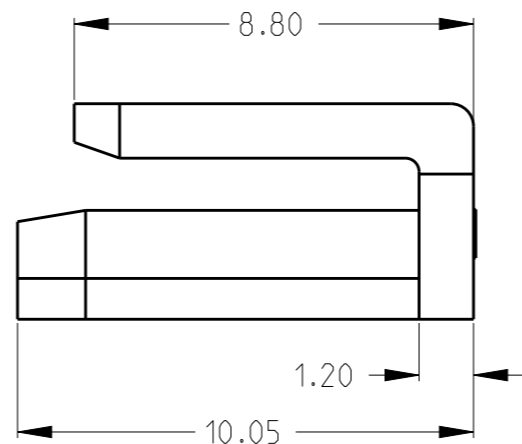
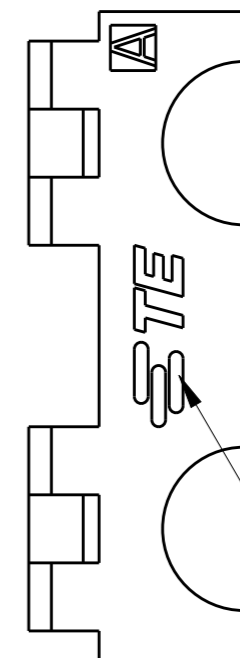
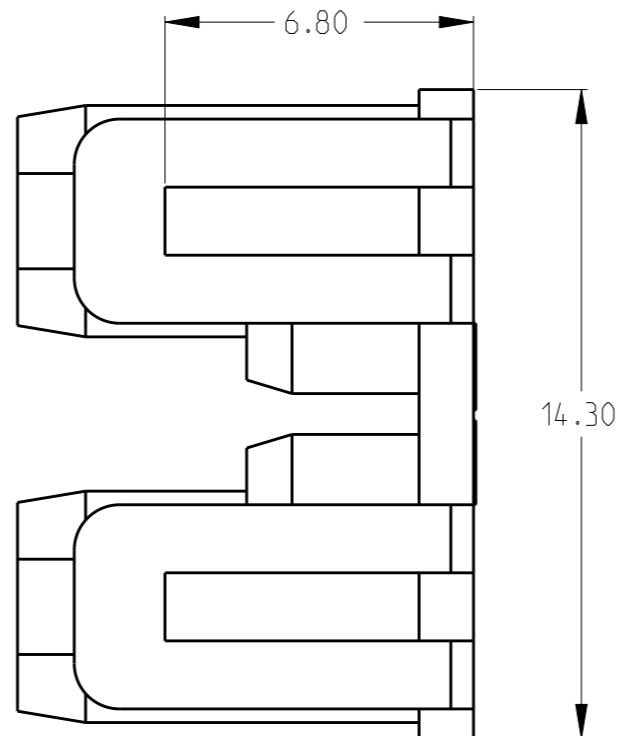
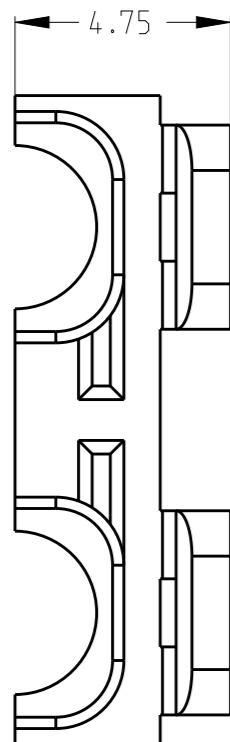
© COPYRIGHT 19 BY -

ALL RIGHTS RESERVED.

LOC ES DIST 00


REVISIONS

P	LTR	DESCRIPTION	DATE	DWN	APVD
	A	RELEASED	19AUG2011	L.L	E.K
	A1	ADD "GWT REQUIREMENTS" IN NOTE 3.	11OCT2012	D.Z	YH.M
	A2	REVISED PER ECR-17-000612	06FEB2017	N.L	D.Z



NOTE:
 1.MATERIAL:THERMOPLASTIC, UL94 V-0, COLOR: NATURAL
 2.MATING CONN. P/N:1983659-*.
 3.PRODUCT COMPLY WITH GLOW WIRE REQUIREMENTS FOR PARTS OF NON-METALLIC MATERIAL SUPPORTING A CURRENT-CARRYING CONNECTION DETAILED IN IEC 60335-1, SECTION 30 (GWT).

2500*4	3-1983666-1
1500*8	1983666-1
PACKAGE QUANTITY(PCS)	PART NO.

THIS DRAWING IS A CONTROLLED DOCUMENT.		DWN LEO LIU 19AUG2011	 TE Connectivity				
DIMENSIONS: mm		CHK HAPYE WU 19AUG2011					
TOLERANCES UNLESS OTHERWISE SPECIFIED:		APVD FRIC KONG 19AUG2011					
0 PLC ± 1 PLC ±0.5 2 PLC ±0.30 3 PLC ±0.200 4 PLC ±0.2000 ANGLES ±		PRODUCT SPEC 108-106071	NAME 2 POS DOUBLE LOCK PLATE MULTI 6P CONNECTOR				
MATERIAL -		FINISH -	APPLICATION SPEC -	SIZE A3	CAGE CODE -	DRAWING NO C=1983666	RESTRICTED TO -
CUSTOMER DRAWING			WEIGHT -	SCALE N/A	SHEET 1 OF 1	REV A2	