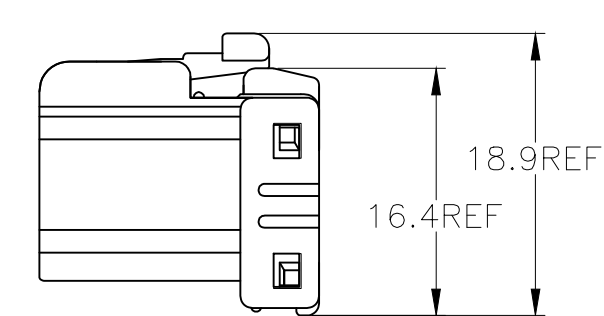
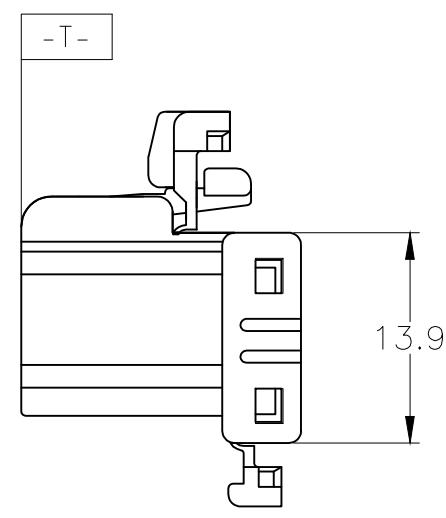
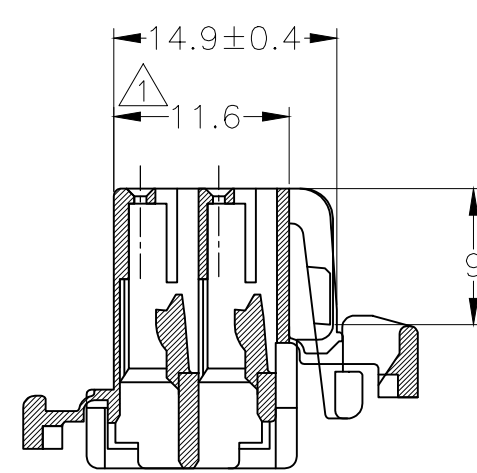
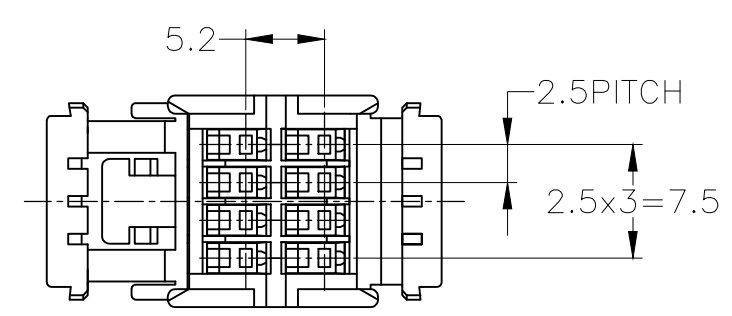
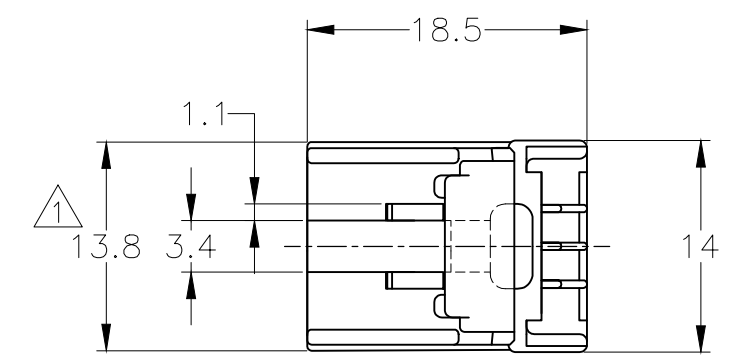
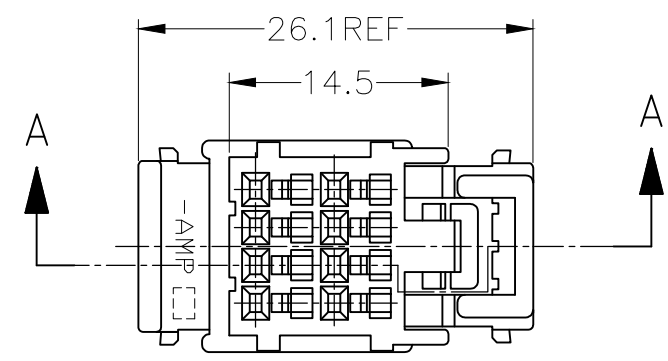


REVISIONS					
P	LTR	DESCRIPTION	DATE	DWN	APVD
	D4	OBSOLETE -5	ECR-20-007046	11NOV2020	PSJ TM



DOUBLE LOCKED  
二重ロック時

- ① TO BE MEASURED WITHIN 2mm FROM [-T-]  
 2. APPLICABLE PRODUCT SPECIFICATION NUMBER: 108-5244  
 3. APPLICABLE INSTRUCTION SHEET NUMBER: 411-5883  
 4. APPLICABLE CONTACT PART NUMBER: 173681, 175180  
 5. THE MATING CAP HOUSING NUMBERS: 174971, 174049, 176121 AND 178455

- ① [-T-] 面より 2mm の範囲で測定  
 2. 適用製品規格番号: 108-5244  
 3. 適用取扱説明書番号: 411-5883  
 4. 適用端子型番: 173681, 175180  
 5. 嵌合相手ハウジング型番: 174971, 174049, 176121 AND 178455

TOLERANCE UNLESS OTHERWISE SPECIFIED: 一般公差	
0 < x ≤ 10	±0.2
10 < x ≤ 30	±0.25
30 < x ≤ 100	±0.3
ANGLE ; 角度	±3°

THIS DRAWING IS A CONTROLLED DOCUMENT.		DWN T.SHINOHARA 04FEB2013	<b>TE Connectivity</b>		
DIMENSIONS: mm		CHK K.BETSUI 04FEB2013			
TOLERANCES UNLESS OTHERWISE SPECIFIED:		APVD K.BETSUI 04FEB2013	NAME 040 SERIES MULTI-LOCK CONNECTOR 8POSITION PLUG HOUSING		
		PRODUCT SPEC SEE NOTE 2	RESTRICTED TO		
MATERIAL PBT		FINISH -	SIZE A3	CAGE CODE 00779	DRAWING NO C-174044
		WEIGHT 2.3 g	SCALE 2:1 SHEET 1 OF 1 REV D4		
		CUSTOMER DRAWING			

OBSOLETE	COLOR	PART NUMBER
	BLUE	174044-5
	NATURAL	174044-1
	BLACK	174044-2