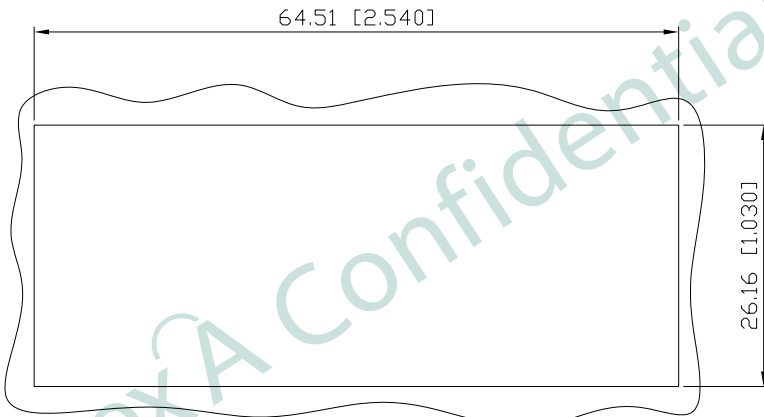
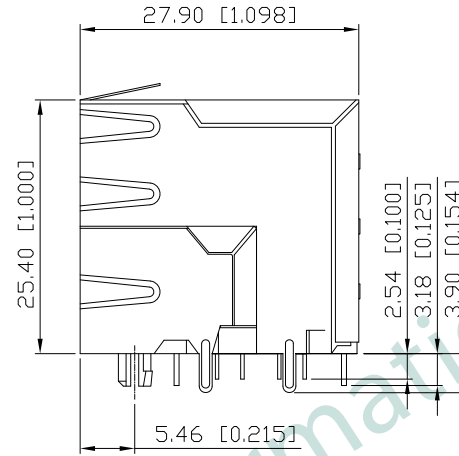
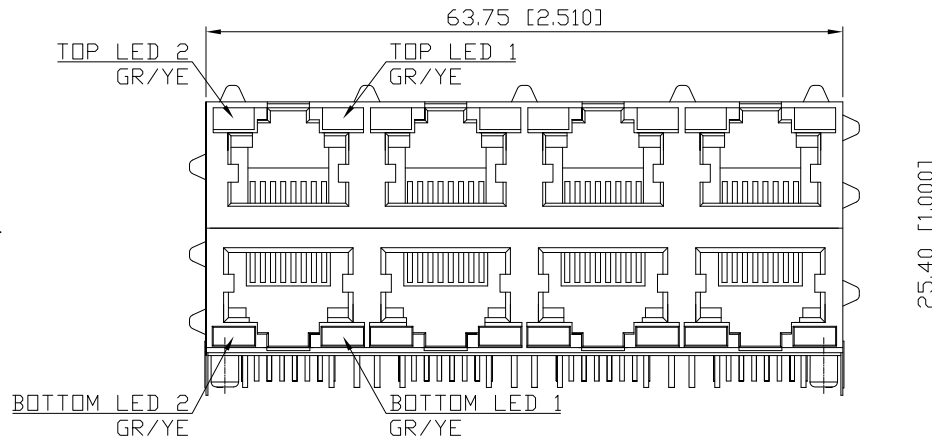


1. MECHANICAL DIMENSIONS :



RECOMMENDED
PANEL CUTOUT DIMENSION

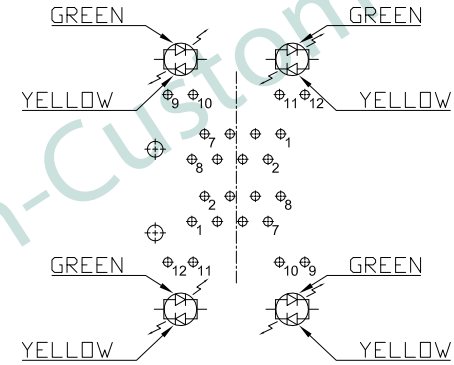
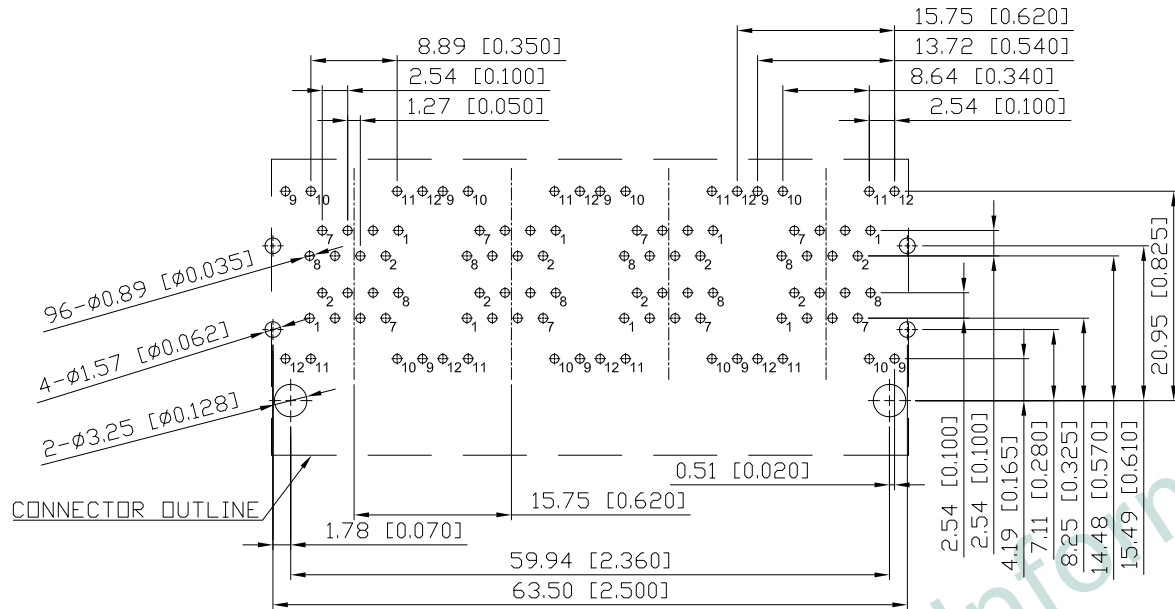
REV.	DATE	DESCRIPTION
01	Jan. 11, '18	1st RELEASE

NOTES:

- MATERIAL:
HOUSING: HIGH THERMOPLASTIC, UL94V-0, BLACK
CONTACTS: T=0.35mm COPPER ALLOY,
3u" GOLD PLATING ON
CONTACT AREA, TIN IN SOLDER AREA
SHIELD: T=0.25mm COPPER ZINC ALLOY,
NICKEL PLATING
- OPERATING TEMPERATURE: -40°C~+85°C
- INSERTION FORCE: 4 POUNDS MAX.
EXTRACTION FORCE: 4 POUNDS MAX.
- DURABILITY: 750 MATING CYCLED MIN.
- CAVITY CONFORMS TO FCC RULES AND
REGULATIONS PART 68, SUBPART F.
- UNSPECIFIED TOLERANCE: .XX ±0.25[0.010]
.X ±0.30[0.012]

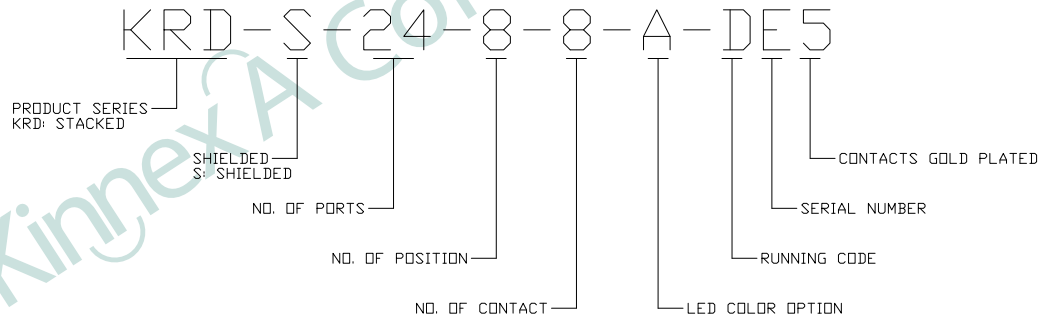
PART NO		KRD-S-24-8-8-A-DE5		
TITLE	RJ45 2X4 8P8C, W/LED, SHIELDED, STACKED TYPE			
REV : 01				
UNIT	DRAWN	CHKD	DATE	SHEET
mm[inch]	CINDY	DANIEL	Jan. 11, '18	1 of 3

2. PCB LAYOUT :



SUGGESTED PCB LAYOUT
(TOP VIEW)
DIMENSIONAL TOLERANCE: .XX ±0.08[0.003]

COLOR	VF(V) @20mA		IV(mcd) @20mA	IF(mA)	PEAK WAVE LENGTH λP(nm) @20mA
	TYP	MAX	TYP	TYP	TYP
YELLOW	2.2	2.6	15	20	588
GREEN	2.2	2.6	10	20	570



PART NO KRD-S-24-8-8-A-DE5				
TITLE	RJ45 2X4 8P8C, W/LED, SHIELDED, STACKED TYPE			
REV : 01				
UNIT	DRAWN	CHKD	DATE	SHEET
mm[inch]	CINDY	DANIEL	Jan. 11, '18	2 of 3

DWG NO KRD-S-24-8-8-A-DE5

KinnexA, INC. 8F, No. 172, CHENG TEH ROAD SEC. 4, TAIPEI 11167, TAIWAN

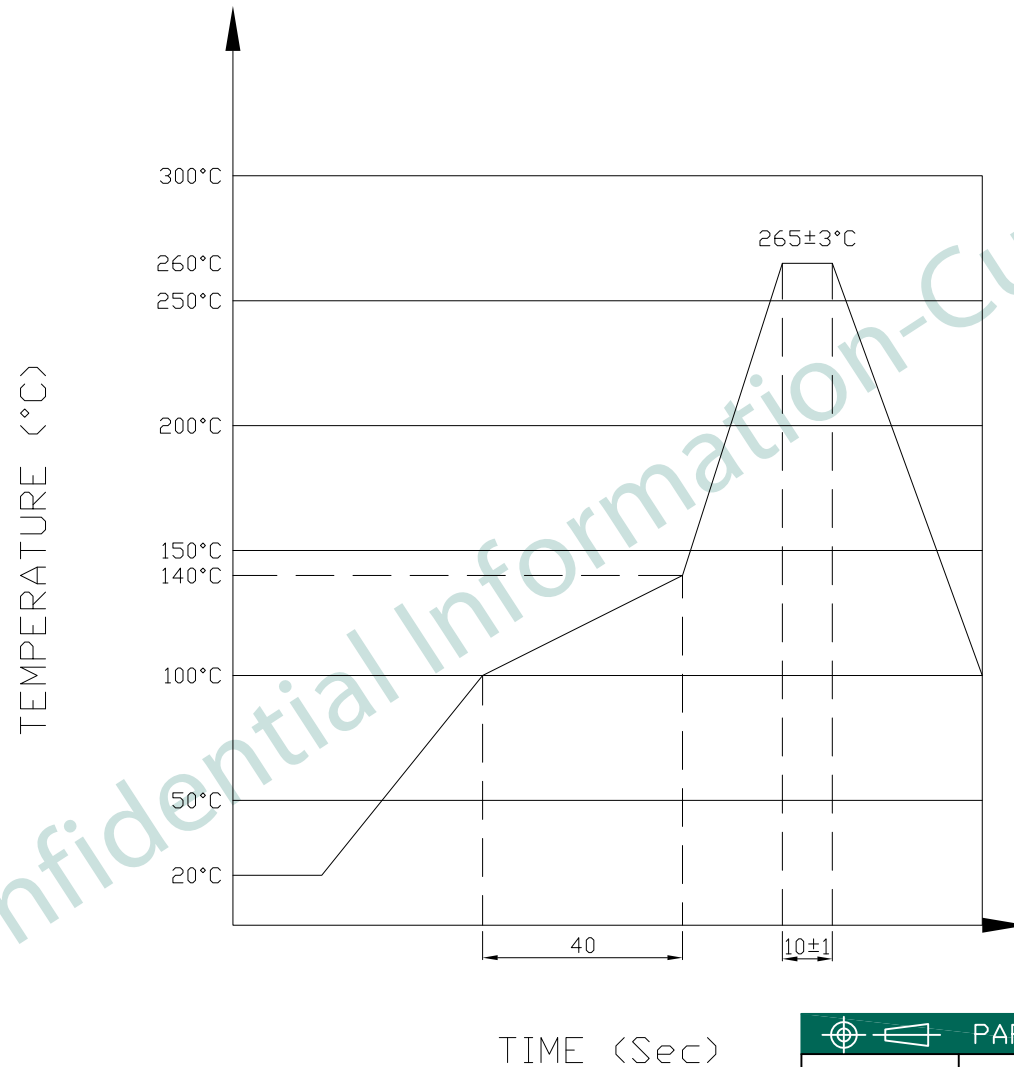


PRELIMINARY RELEASE SUBJECT TO CHANGE


※ THIS DRAWING IS A CONTROLLED DOCUMENT ※

ROHS Compliant

3. PROFILE OF WAVE SOLDER :



The measuring point for the specified temperature shall be on the soldered part of the lead

 PART NO		KRD-S-24-8-8-A-DE5		
TITLE	RJ45 2X4 8P8C, W/LED, SHIELDED, STACKED TYPE			
REV : 01				
UNIT	DRAWN	CHKD	DATE	SHEET
mm[inch]	CINDY	DANIEL	Jan. 11, '18	3 of 3