

NUMBER C-175777



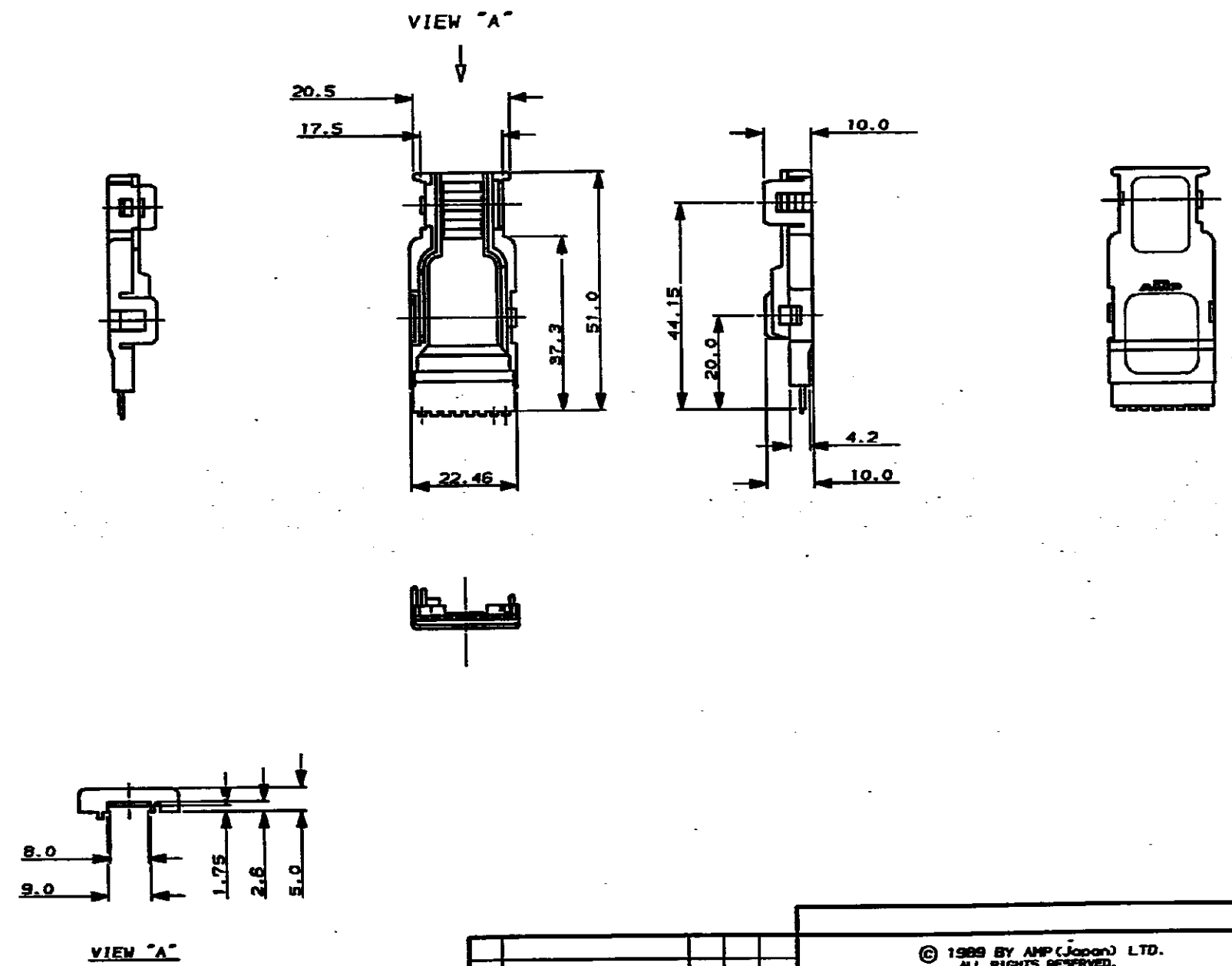
METRIC

DIMENSIONS IN MILLIMETERS. DO NOT SCALE PRINT

PRINT JOB

REV. 10/88

-1; AS SHOWN  
-1; 本 ☒



© 1989 BY AMP (Japan) LTD. ALL RIGHTS RESERVED. AMP PRODUCTS COVERED BY PATENTS AND OR PATENTS PENDING				<b>AMP</b> AMP (JAPAN), LTD. Tokyo, Japan	
MATERIAL: POLYCARBONATE BLACK FINISH: #				NAME: CABLE COVER 16P S-200 CONN. SYSTEM (W-T-B)	
GENERAL TOLERANCE: 0-10 : ±0.2 10-30 : ±0.25 30-100 : ±0.3 ANGLES : ±3°				SIZE: A3	LOC: J
LTR: 0 REVISION RECORD: J-10720/NA DR: H. Amikura DE: H. Amikura CHK: T. Sakai DATE: 7/8 '89				NUMBER: C-175777	SHEET: 1 OF 1

CUSTOMER DRAWING