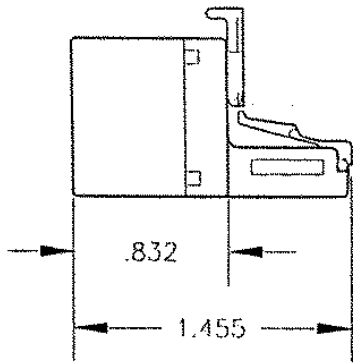
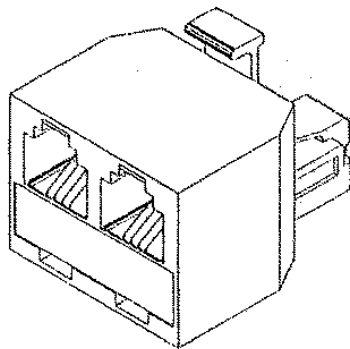


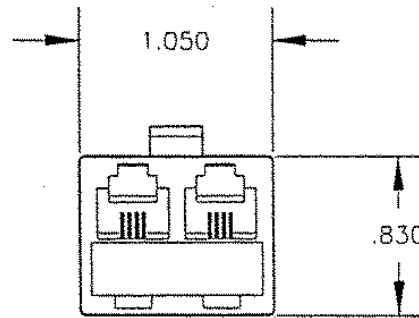
SIDE VIEW



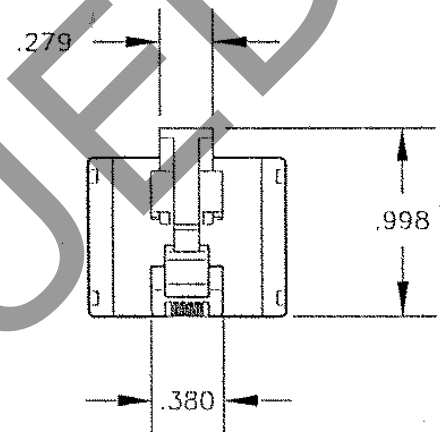
PERSPECTIVE VIEW



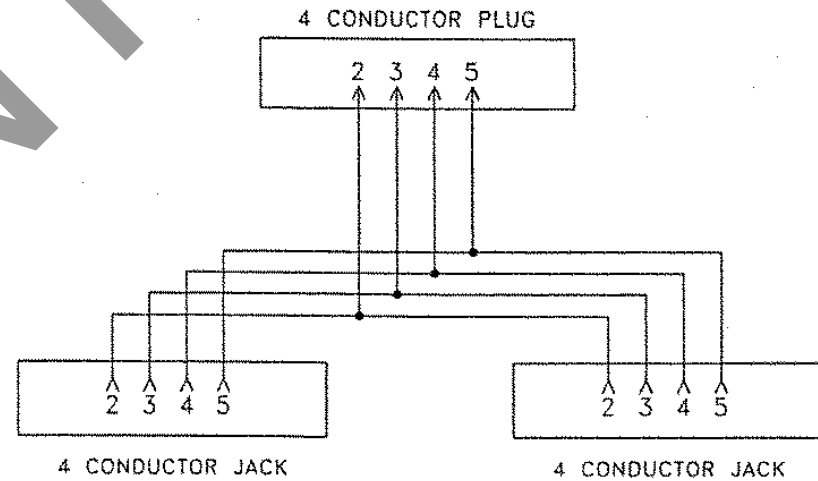
FRONT VIEW



BACK VIEW



WIRING SCHEMATIC



- 1. BLOCK HOUSING : ABS MOLDING COMPOUND
CONTACTS : PHOSPHOR BRONZE, 50 μ INCHES
GOLD OVER NICKEL PLATE
- 2. ALL DIMENSIONS ARE APROXIMATE & SHOULD BE
USED FOR REFERENCE ONLY.
- 3. UL LISTING E136760

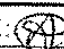



DESCRIPTION: MODULAR I-ADAPTER, 6 POSITION 4 CONTACTS

COLOR: LIGHT ASH

MATERIAL: 

DWG NO. D.S. 1486

CHK:  APRVD:  REV.: A

DWG BY: A. MEDINA

DATE: 02-22-2000

DO NOT SCALE

PART NO.:

AMK-0026