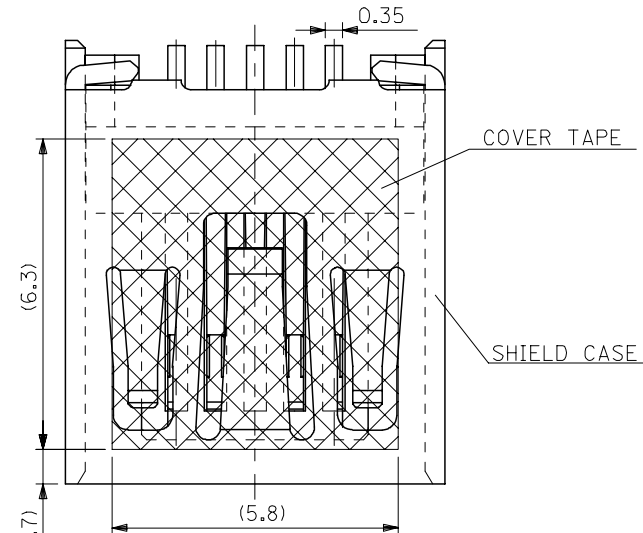
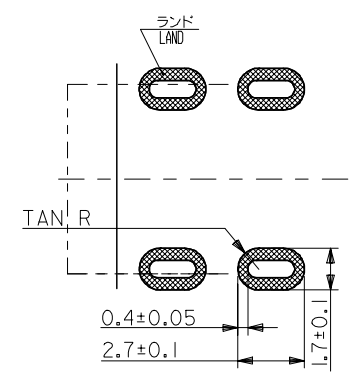
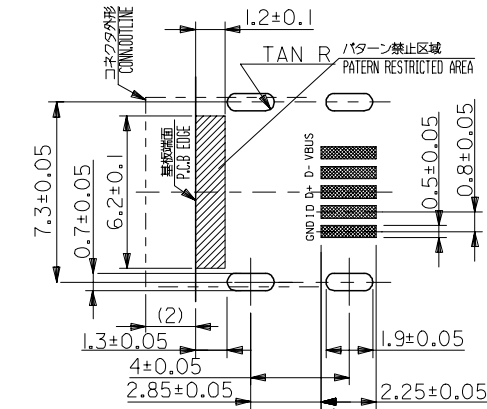


10 9 8 7 6 5 4 3 2 1

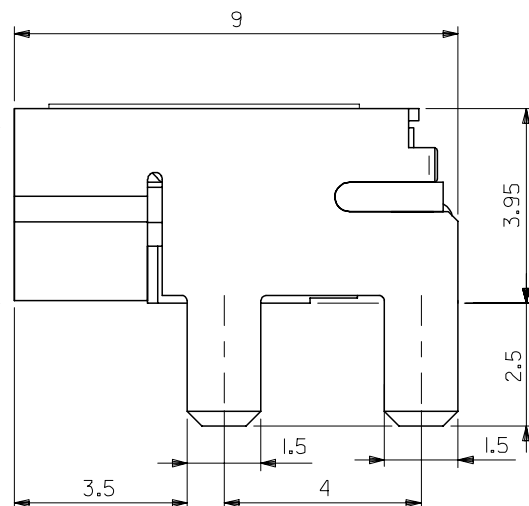
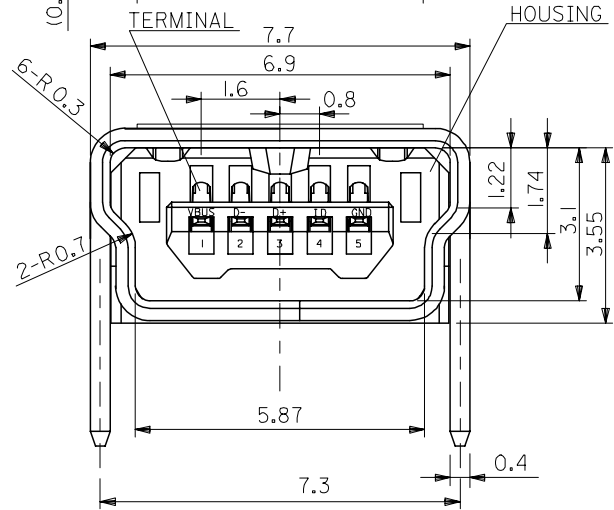


コネクタ実装側 (CONNECTOR MOUNT SIDE)

逆側 (REVERSE SIDE)



推奨基板寸法 (推奨基板厚: 1.6mm)
 RECOMMENDED P.C.B. PATTERN LAYOUT
 (RECOMMENDED PCB THICKNESS: 1.6mm)



- 注記 1. 材質
 NOTES MATERIAL
- ハウジング: 耐熱樹脂 ガラス充填, 黒色, UL 94V-0
 - HOUSING: HEAT-RESISTANT POLYMER GLASS FILLED, BLACK, UL 94V-0
 - ターミナル: 銅合金 (t=0.2)
 - TERMINAL: COPPER ALLOY (t=0.2)
 - シールド ケース: 銅合金 (t=0.4)
 - SHIELD CASE: COPPER ALLOY (t=0.4)
 - カバー テープ: ポリイミド (t=0.08)
 - COVER TAPE: POLYIMIDE (t=0.08)
2. テールの平坦度は 0.1mm MAX.
 TAIL COPLANARITY 0.1mm MAX.
3. 本製品は 500330-0501 のテール部錫メッキ品である。
 THIS PRODUCT IS TIN PLATING OF 500330-0501 (TAIL AREA).

500330-0509	500330-**09
MATERIAL NO.	MODEL NO.
DESIGN UNITS METRIC	THIRD ANGLE PROJECTION

RELEASED EC NO: J2005-2733 DRAWN: M. NABEI 2005/03/28 CHYKD: K. TOYODA 2005/03/28 APPR: N. UKITA 2005/04/05	GENERAL TOLERANCES (UNLESS SPECIFIED)		DIMENSION STYLE MM ONLY		SCALE 10:1	DESIGN UNITS METRIC		THIRD ANGLE PROJECTION	
	10 UNDER	±0.2	DRAWN BY M. NABEI	DATE '05/03/18	TITLE USB SERIES MINI-B (DIP2) REC ASSY FOR PCB T=1.6 -LEAD FREE-				
	10 OVER 30 UNDER	±0.25	CHECKED BY K. TOYODA	DATE '05/03/18	MOLEX INCORPORATED				
	30 OVER	±0.3	APPROVED BY N. UKITA	DATE '05/03/18	DOCUMENT NO. SD-500330-003				
	ANGULAR	±3 °	MATERIAL NO. SEE CHART		SHEET NO. 1 OF 2				
0	DRAFT WHERE APPLICABLE MUST REMAIN WITHIN DIMENSIONS		SIZE A3		THIS DRAWING CONTAINS INFORMATION THAT IS PROPRIETARY TO MOLEX INCORPORATED AND SHOULD NOT BE USED WITHOUT WRITTEN PERMISSION				

10 9 8 7 6 5 4 3 2 1

F

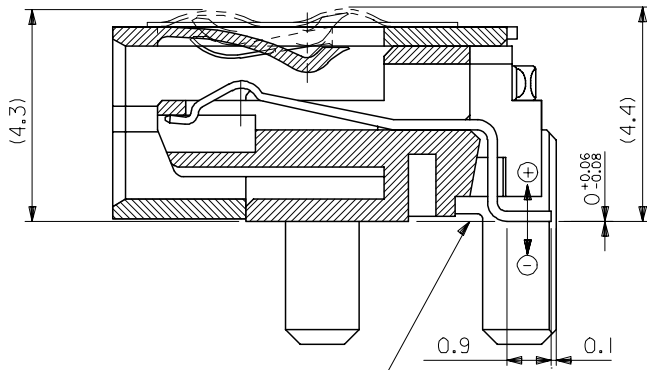
E

D

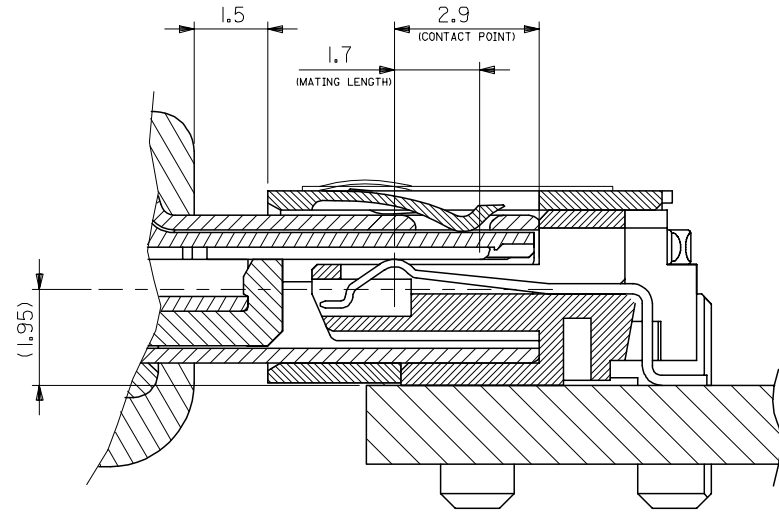
C

B

A



ハウジング底面基準
BASIC OF HOUSING BOTTOM
SECTION



MATING

RELEASED EC NO: J2005-2733 DRAWN: NABE I CHKD: K. TOYODA APPR: NUKITA	2005/03/28 2005/03/28 2005/04/05	GENERAL TOLERANCES (UNLESS SPECIFIED)		DIMENSION STYLE MM ONLY		SCALE 10:1	DESIGN UNITS METRIC	500330-**09	MODEL NO.	
		10 UNDER	±0.2	DRAWN BY M. NABE I	DATE '05/03/18	TITLE USB SERIES MINI-B (DIP2) REC ASSY FOR PCB T=1.6 -LEAD FREE-				
		10 OVER 30 UNDER	±0.25	CHECKED BY K. TOYODA	DATE '05/03/18					
		30 OVER	±0.3	APPROVED BY N. UKITA	DATE '05/03/18	MOLEX INCORPORATED DOCUMENT NO. SD-500330-003 SHEET NO. 2 OF 2				
ANGULAR	±3 °	MATERIAL NO. SEE CHART								
DRAFT WHERE APPLICABLE MUST REMAIN WITHIN DIMENSIONS		SIZE A3			THIS DRAWING CONTAINS INFORMATION THAT IS PROPRIETARY TO MOLEX INCORPORATED AND SHOULD NOT BE USED WITHOUT WRITTEN PERMISSION					

9

8

7

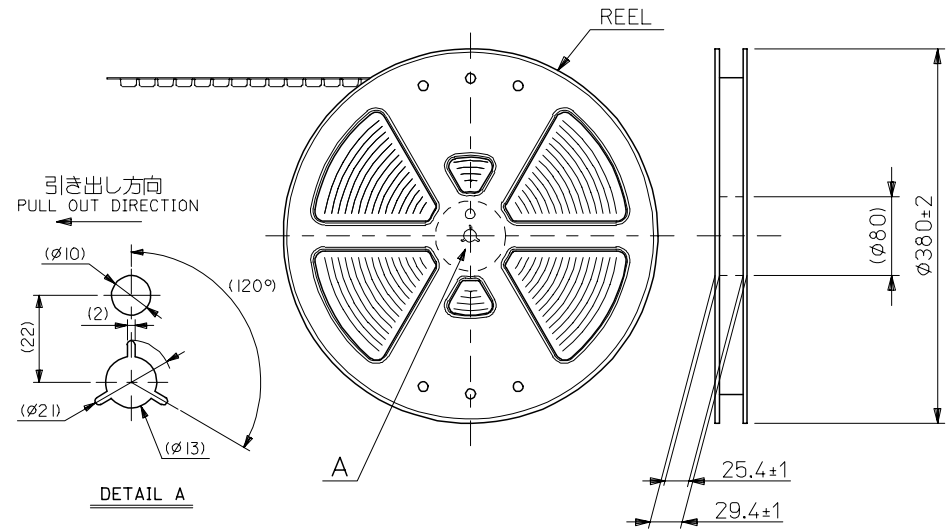
6

5

4

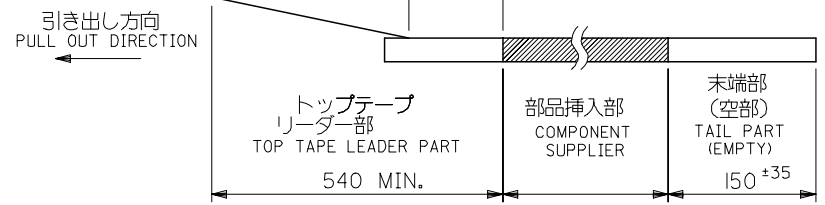
3

2

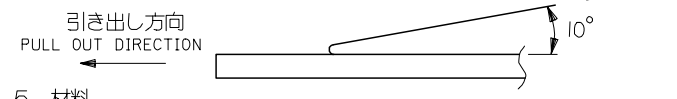


NOTES

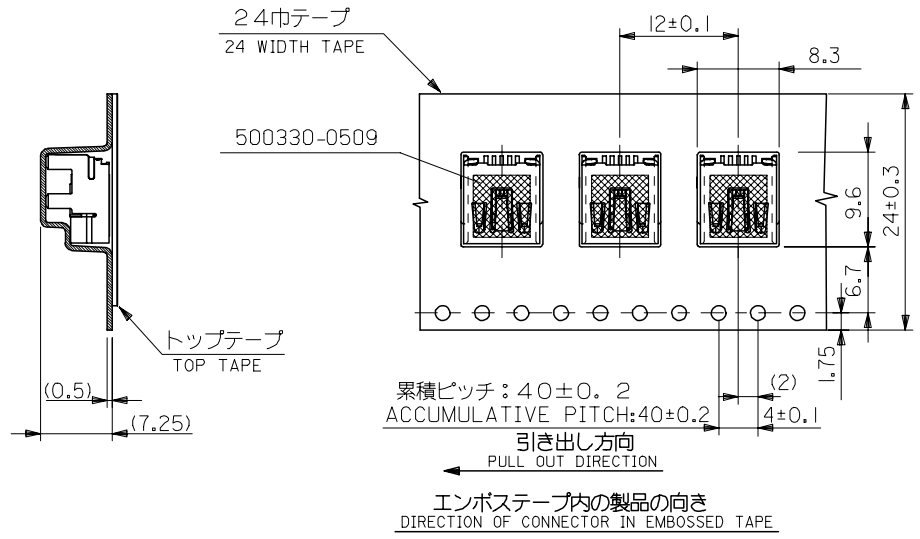
- 500330-0509の詳細は SD-500330-003 参照
IN THE PACKAGE PART NO.500330-0509 DETAILED ,SEE SD-500330-003.
- 梱包数量: 900 個/リール
NUMBER OF CONNECTORS:900 PCS/REEL
- リードテープ長さ
LEAD TAPE LENGTH
トップテープ接着部
TOP TAPE BONDED PART
(空エンボス)
(EMPTY)
20-25PCS.



- トップテープの剥離強度: 0.1~1.3N (10~130gf)
(剥離方向は下図参照) キャリアテープ幅: 24mm
PEEL-OFF FORCE OF TOP TAPE: 0.1~1.3N (10~130gf)
(PEELING DIRECTION AS SHOWN IN FOLLOWING FIG.)
CARRIER TAPE WIDTH
尚、本規格値は、出荷時に適用。
THIS REQUIREMENTS SHOULD BE APPLIED AT SHIPMENT
(但し、輸送時に剥離が発生しない事。)
(PEEL OFF SHOULD NOT BE ALLOWED, DURING TRANSPORTATION)



- 材料
MATERIAL
キャリアテープ: ポリプロピレン
CARRIER TAPE: POLYPROPYLENE
トップテープ: ポリエステル, ポリエチレン
TOP TAPE: POLYESTER, POLYETHYLENE
リール: ポリスチレン
REEL: POLYSTYRENE
- 本製品は 500330-0502 のテール部錫メッキ品である。
THIS PRODUCT IS TIN PLATING OF 500330-0502 (TAIL AREA).



エンボステープ内の製品の向き
DIRECTION OF CONNECTOR IN EMBOSSED TAPE

RELEASED EC NO: J2005-2733 DRAWN: M.NABE 2005/03/28 CHKD: K.TOYODA 2005/03/28 APPR: N.UKITA 2005/04/05	GENERAL TOLERANCES (UNLESS SPECIFIED)		DIMENSION STYLE MM ONLY		SCALE 2:1	DESIGN UNITS METRIC	THIRD ANGLE PROJECTION
	10 UNDER	±0.2	DRAWN BY M. NABE I	DATE '05/03/18	TITLE USB SERIES MINI-B (DIP2) REC HSG EMBOSSED ASS'Y -LEAD FREE-		
	10 OVER 30 UNDER	±0.25	CHECKED BY K. TOYODA	DATE '05/03/18			
	30 OVER	±0.3	APPROVED BY N. UKITA	DATE '05/03/18	MOLEX INCORPORATED DOCUMENT NO. SD-500330-004 SHEET NO. 1 OF 1		
ANGULAR	±3 °	MATERIAL NO. SEE CHART	DATE				
0	DRAFT WHERE APPLICABLE MUST REMAIN WITHIN DIMENSIONS		SIZE A3		THIS DRAWING CONTAINS INFORMATION THAT IS PROPRIETARY TO MOLEX INCORPORATED AND SHOULD NOT BE USED WITHOUT WRITTEN PERMISSION		