

M23-07S1N8A8002 - Cable connector



1629231

<https://www.phoenixcontact.com/us/products/1629231>

Please be informed that the data shown in this PDF document is generated from our online catalog. Please find the complete data in the user documentation. Our general terms of use for downloads are valid.



M23, Cable connector, series: M23 PRO, straight, shielded: yes, Screw locking mechanism, No. of pos.: 7, Direction of rotation: Standard, contact connection type: Socket, Crimp connection, cable diameter range: 4 mm ... 8.5 mm, coding: N, Item is lead-free in accordance with RoHS II without Exemption 6c (Pb <0.1%)

Your advantages

- Solutions with cross-manufacturer compatibility for standard and fast locking systems
- Reliable under the harshest conditions: cable connectors with vibration brake
- Modern, consistent design for highly convenient operation
- Easy, cost-effective cable assembly: uniform shielding of M17 to M40

Commercial data

| | |
|--------------------------------------|--------------------------------|
| Item number | 1629231 |
| Packing unit | 1 pc |
| Minimum order quantity | 1 pc |
| Note | Made to order (non-returnable) |
| Sales key | AB34 |
| Product key | ABRABA |
| Catalog page | Page 76 (C-2-2019) |
| GTIN | 4055626618647 |
| Weight per piece (including packing) | 107 g |
| Weight per piece (excluding packing) | 98.81 g |
| Customs tariff number | 85366990 |
| Country of origin | DE |

Technical data

Notes

| | |
|-------------|---|
| General | Order 7 x Ø 2 mm crimp contacts separately |
| Safety note | |
| Safety note | <p>WARNING: The connectors may not be plugged in or disconnected under load. Ignoring the warning or improper use may damage persons and/or property.</p> <ul style="list-style-type: none"> • WARNING: Commission properly functioning products only. The products must be regularly inspected for damage. Decommission defective products immediately. Replace damaged products. Repairs are not possible. • WARNING: Only electrically qualified personnel may install and operate the product. They must observe the following safety notes. The qualified personnel must be familiar with the basics of electrical engineering. They must be able to recognize and prevent danger. The relevant symbol on the packaging indicates that only personnel familiar with electrical engineering are allowed to install and operate the product. • The products are suitable for applications in plant, controller, and electrical device engineering. • When operating the connectors in outdoor applications, they must be separately protected against environmental influences. • Assembled products may not be manipulated or improperly opened. • Only use mating connectors that are specified in the technical data of the standards listed (e.g. the ones listed in the product accessories online at phoenixcontact.com/products). • When using the product in direct connection with third-party manufacturers, the user is responsible. • For operating voltages > 50 V AC, conductive connector housings must be grounded • Ensure that the protective or functional ground has been properly connected. • VDE 0100/1.97 § 411.1.3.2 and DIN EN 60 204/11.98 § 14.1.3 are applicable when combining several circuits in a cable and/or connector • Only use tools recommended by Phoenix Contact • The installation notes/Design In documents online on the download page at phoenixcontact.com/products must be observed for this product. • Operate the connector only when it is fully plugged in and interlocked. • Ensure that when laying the cable, the tensile load on the connectors does not exceed the upper limit specified in the standards. • Observe the minimum bending radius of the cable. Lay the cable without twisting it. • The connector warms up in normal operation. Depending on the ambient conditions, the surface of the connector can continue to warm up. In this case, the user is responsible for posting |

M23-07S1N8A8002 - Cable connector



1629231

<https://www.phoenixcontact.com/us/products/1629231>

warnings (e.g. DIN EN ISO 13732-1:2008-12).

Product properties

| | |
|--------------|---------------------------------|
| Product type | Circular connector (cable-side) |
|--------------|---------------------------------|

Connector

Connection 1

| | |
|-------------|--------|
| Head design | Socket |
|-------------|--------|

Insulating body

| | |
|---|---|
| Note | Order information: Order 7 x Ø 2 mm crimp contacts separately |
| Coding | N |
| Insulation body material | PA 6.6 |
| Insertion/withdrawal cycles | 100 |
| Connection method | Crimp connection |
| Contact switching type | Socket |
| Application | Signal |
| Number of positions | 7 |
| Direction of rotation | Standard |
| Connection profile | 7 |
| Contact diameter Signal contacts | 2 mm |
| Litz wire cross-section Signal contacts min. | 0.5 mm ² |
| Litz wire cross-section Signal contacts max. | 2.5 mm ² |
| Nominal current per signal contact | 20 A |
| Note | for max. connection cross section |
| Rated voltage Signal contact | 300 V |
| Rated surge voltage | 2.5 kV |
| Overvoltage category | II |
| Degree of pollution | 3 |
| Installation height | 2000 m |

Housing

| | |
|-----------------------------------|--------------------------------|
| Housing material | GD-Zn |
| Type of locking | Screw locking mechanism |
| Pg screw connection | none |
| Degree of protection (plugged in) | IP66 / IP68 (2m / 24h) / IP69K |
| Thread type | M23 |

Seal

| | |
|-------------------------|-----------------|
| External cable diameter | 4 mm ... 8.5 mm |
| Seal material | FKM |

Environmental and real-life conditions

Ambient conditions

M23-07S1N8A8002 - Cable connector



1629231

<https://www.phoenixcontact.com/us/products/1629231>

| | |
|---------------------------------|-------------------------------------|
| Ambient temperature (operation) | -40 °C ... 105 °C (see to derating) |
| Permanent temperature | 125 °C (DIN EN 60512-9-2 / 1000 h) |

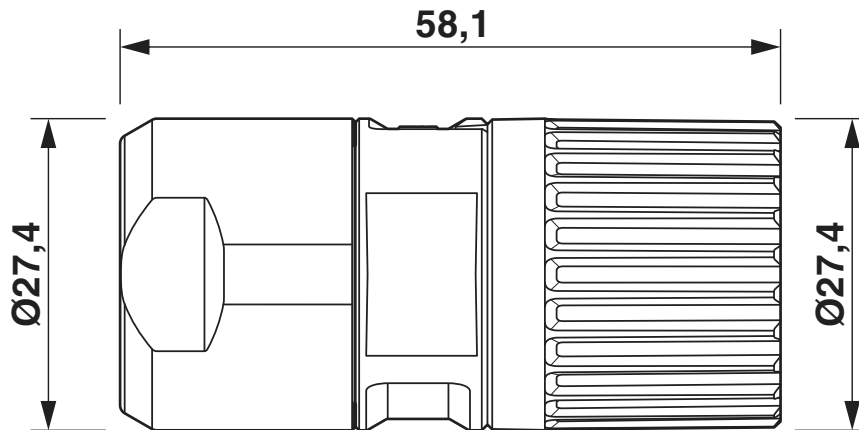
M23-07S1N8A8002 - Cable connector

1629231

<https://www.phoenixcontact.com/us/products/1629231>

Drawings

Dimensional drawing



Technical drawings can be found under Downloads

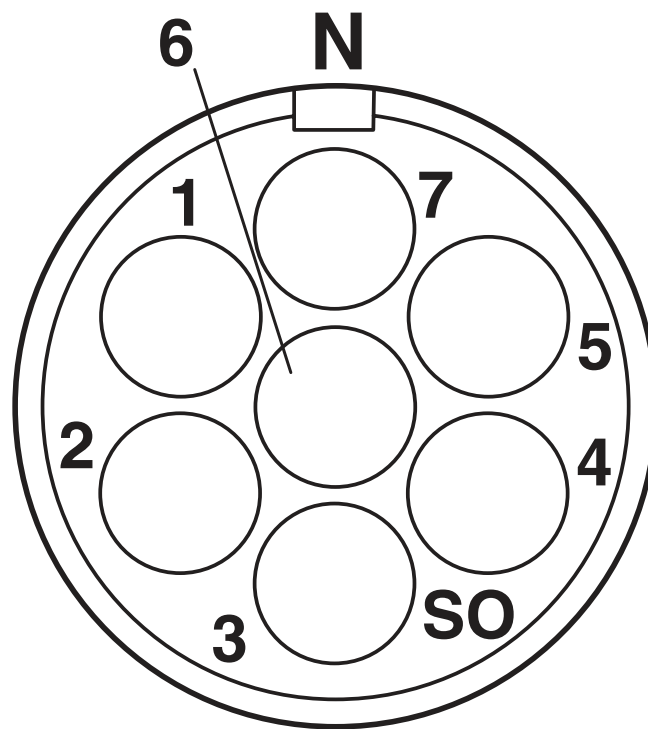
M23-07S1N8A8002 - Cable connector

1629231

<https://www.phoenixcontact.com/us/products/1629231>



Schematic diagram

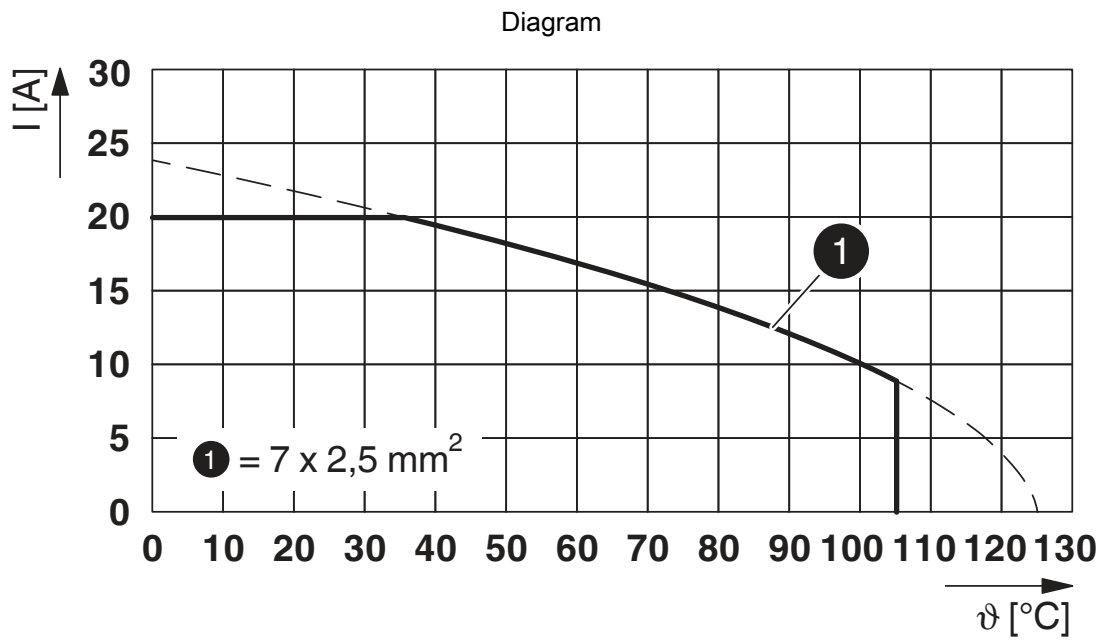


M23-07S1N8A8002 - Cable connector



1629231

<https://www.phoenixcontact.com/us/products/1629231>



I = current strength, ϑ = ambient temperature, 7x 20 A

M23-07S1N8A8002 - Cable connector



1629231

<https://www.phoenixcontact.com/us/products/1629231>

Approvals

To download certificates, visit the product detail page: <https://www.phoenixcontact.com/us/products/1629231>



cUL Recognized

Approval ID: E335019-20141210



UL Recognized

Approval ID: E335019-20141210

cULus Recognized

M23-07S1N8A8002 - Cable connector



1629231

<https://www.phoenixcontact.com/us/products/1629231>

Classifications

ECLASS

| | |
|-------------|----------|
| ECLASS-11.0 | 27440102 |
| ECLASS-12.0 | 27440116 |
| ECLASS-13.0 | 27440116 |

ETIM

| | |
|----------|----------|
| ETIM 8.0 | EC002635 |
|----------|----------|

UNSPSC

| | |
|-------------|----------|
| UNSPSC 21.0 | 39121400 |
|-------------|----------|

M23-07S1N8A8002 - Cable connector



1629231

<https://www.phoenixcontact.com/us/products/1629231>

Environmental product compliance

| | |
|------------|---|
| China RoHS | Environmentally friendly use period: unlimited = EFUP-e |
| | No hazardous substances above threshold values |

M23-07S1N8A8002 - Cable connector

1629231

<https://www.phoenixcontact.com/us/products/1629231>



Accessories

SF-Z0028 - Torque screwdriver

1607456

<https://www.phoenixcontact.com/us/products/1607456>

Torque screwdriver, series: RC



SF-Z0027 - Hook wrench

1607455

<https://www.phoenixcontact.com/us/products/1607455>

Hook wrench, series: RC



M23-07S1N8A8002 - Cable connector

1629231

<https://www.phoenixcontact.com/us/products/1629231>



RF-Z0007 - Special wrench

1614347

<https://www.phoenixcontact.com/us/products/1614347>

Special wrench, series: RF



RC-5SS2000 - Crimp contact

1603530

<https://www.phoenixcontact.com/us/products/1603530>



Crimp contact, Socket, turned, contact diameter: 2 mm, crimp range: 0.5 mm² ... 0.75 mm², Alternative product in accordance with RoHS II without Exemption 6c (Pb <0.1%) item no.: 1241633

M23-07S1N8A8002 - Cable connector

1629231

<https://www.phoenixcontact.com/us/products/1629231>



RC-59S2000 - Crimp contact

1603501

<https://www.phoenixcontact.com/us/products/1603501>



Crimp contact, Socket, turned, Single contact, contact diameter: 2 mm, crimp range: 0.75 mm² ... 1 mm², Alternative product in accordance with RoHS II without Exemption 6c (Pb <0.1%) item no.: 1241633

RC-5CS2000 - Crimp contact

1603517

<https://www.phoenixcontact.com/us/products/1603517>



Crimp contact, Socket, turned, contact diameter: 2 mm, crimp range: 1 mm² ... 1.5 mm², Alternative product in accordance with RoHS II without Exemption 6c (Pb <0.1%) item no.: 1241635

M23-07S1N8A8002 - Cable connector

1629231

<https://www.phoenixcontact.com/us/products/1629231>



RC-5AS2000 - Crimp contact

1603509

<https://www.phoenixcontact.com/us/products/1603509>



Crimp contact, Socket, turned, contact diameter: 2 mm, crimp range: 1.5 mm² ... 2.5 mm², Alternative product in accordance with RoHS II without Exemption 6c (Pb <0.1%) item no.: 1241635

PROT-M23PRO-SG-IT-IP20 - Plastic protective cap

1055744

<https://www.phoenixcontact.com/us/products/1055744>



Plastic protective cap, M23, degree of protection: IP20, series: M23 PRO Signal

M23-07S1N8A8002 - Cable connector

1629231

<https://www.phoenixcontact.com/us/products/1629231>



PROT-M23PRO-SG-IT-IP67 - Plastic protective cap

1055745

<https://www.phoenixcontact.com/us/products/1055745>

Plastic protective cap, M23, degree of protection: IP67, series: M23 PRO Signal



Phoenix Contact 2023 © - all rights reserved

<https://www.phoenixcontact.com>

Phoenix Contact USA
586 Fulling Mill Road
Middletown, PA 17057, United States
(+717) 944-1300
info@phoenixcon.com