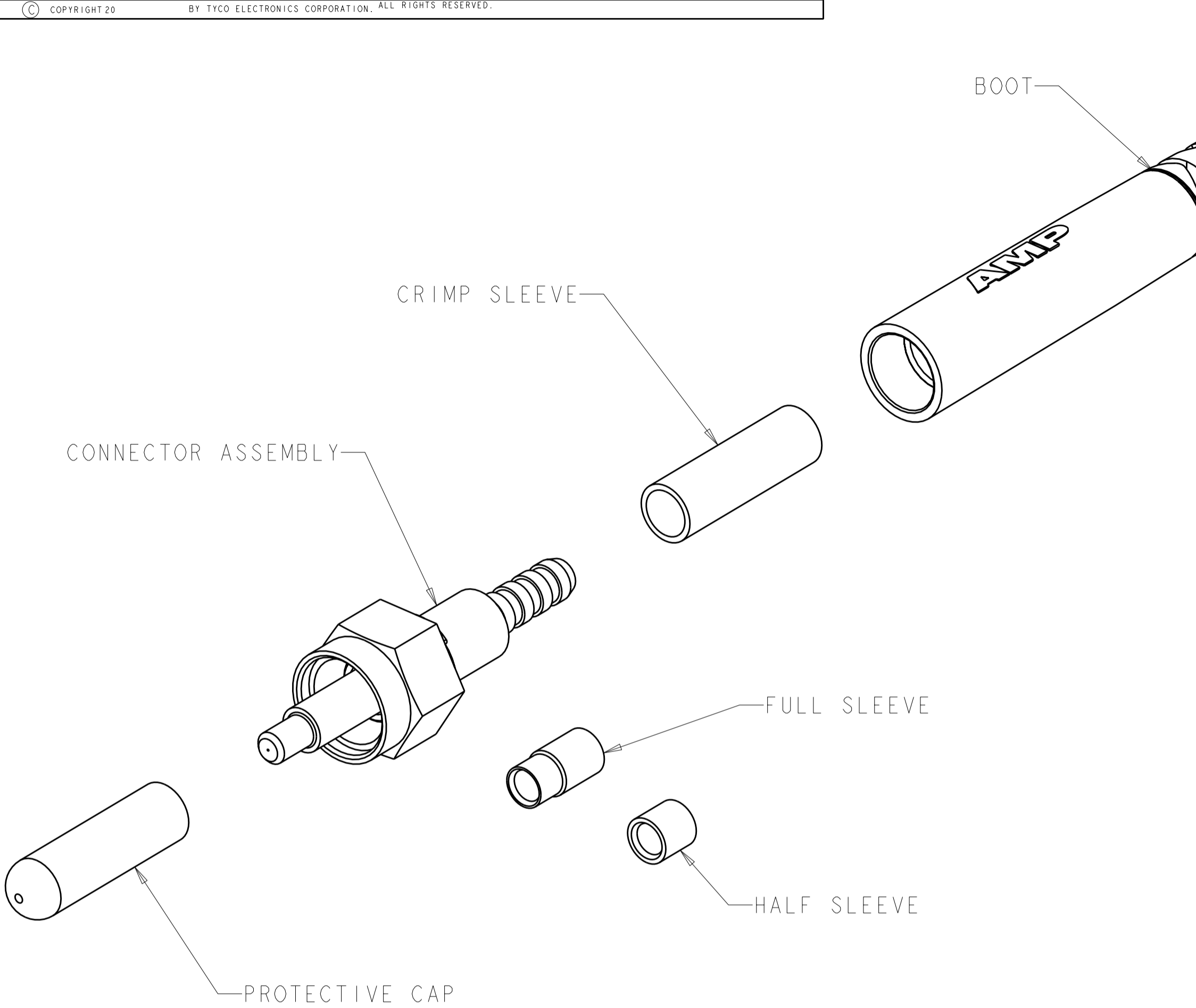
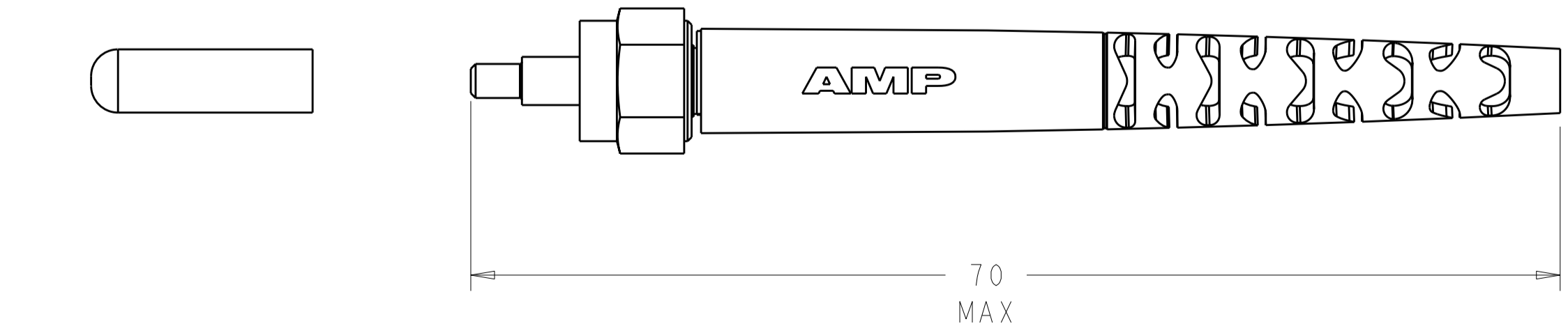


THIS DRAWING IS UNPUBLISHED. RELEASED FOR PUBLICATION 20
 © COPYRIGHT 20 BY TYCO ELECTRONICS CORPORATION. ALL RIGHTS RESERVED.

LOC	DIST	REVISIONS			
P	LTR	DESCRIPTION	DATE	DWN	APVD
		I	NEW PRODUCT RELEASE	25JAN2006	BB LS
		A	RELEASED PER ECR-07-004102	15MAR2007	JWD LS



1. MATERIAL:
 CONNECTOR ASSEMBLY:
 REAR BODY: NICKEL PLATED BRASS OR STAINLESS STEEL ³
 FERRULE: STAINLESS STEEL
 COUPLING NUT: NICKEL PLATED BRASS OR STAINLESS STEEL ³
 C RING: STAINLESS STEEL
 PROTECTIVE CAP: VINYL, COLOR: RED
 CRIMP EYELET: NICKEL PLATED BRASS
 STRAIN RELIEF: POLYOLEFIN ELASTOMER, COLOR: BLACK*
 HALF SLEEVE: ACETAL, COLOR: WHITE
 FULL SLEEVE: ACETAL, COLOR: WHITE
 *UL94 V-0 RATED AT QUALIFYING THICKNESS.
2. COUPLING NUT NORMAL TIGHTENING. TORQUE RANGE IS 7.0 TO 10.0 in-lbf. DO NOT EXCEED 20 in-lbf.
- ³ P/N 5504014-5 HAS STAINLESS STEEL REAR BODY AND COUPLING NUT.



145um	2-5504014-7
140um	1-5504014-0
³ 125um	5504014-5
125um	5504014-1
HOLE SIZE	PART NUMBER

THIS DRAWING IS A CONTROLLED DOCUMENT FOR TYCO ELECTRONICS CORPORATION. IT IS SUBJECT TO CHANGE AND THE CONTROLLING ENGINEERING ORGANIZATION SHOULD BE CONTACTED FOR THE LATEST REVISION.		DWN B. BRIGGS 25JAN2006	Tyco Electronics Harrisburg, PA 17105-3608	
DIMENSIONS: mm		CHK L. SAUERWEIN 25JAN2006	NAME CONNECTOR KIT, FSMA 906, 3.1mm CABLE	
TOLERANCES UNLESS OTHERWISE SPECIFIED: 0 PLC ± 1 PLC ± 2 PLC ± 3 PLC ± 4 PLC ± ANGLES ± FINISH		APVD S. BUCHTER 25JAN2006	RESTRICTED TO	
MATERIAL	-	PRODUCT SPEC	SIZE A200779	CAGE CODE C-5504014
CUSTOMER DRAWING		APPLICATION SPEC	SCALE 4:1	SHEET 1 OF 1
		WEIGHT	REV A	