

| REVISIONS | | | | | |
|-----------|-----|---------------------------|-----------|-----|------|
| P | LTR | DESCRIPTION | DATE | DWN | APVD |
| R | | REVISED PER ECO-16-018654 | 15MAY2017 | RK | PO |

SPECIFICATIONS:

MATERIALS:

CASE-PPS, UL94V0-BLACK
 COVER-PPS, UL94V0-BLACK
 ACTUATOR-LCP, UL94V0-WHITE
 CONTACTS AND TERMINALS-COPPER ALLOY, GOLD OVER NICKEL
 TAPE SEAL-POLYIMIDE FILM

ELECTRICAL:

CONTACT RATING: NON-SWITCHING: 100mA @ 50VDC
 SWITCHING: 25mA 24VDC
 INITIAL CONTACT RESISTANCE: 100 MILLIOHMS MAX. @ 2VDC, 10mA
 INSULATION RESISTANCE: 100 MEGOHMS MIN. @ 100VDC
 DIELECTRIC STRENGTH: 300VAC FOR 1 MINUTE
 LIFE EXPECTANCY: 1000 CYCLES

MECHANICAL:

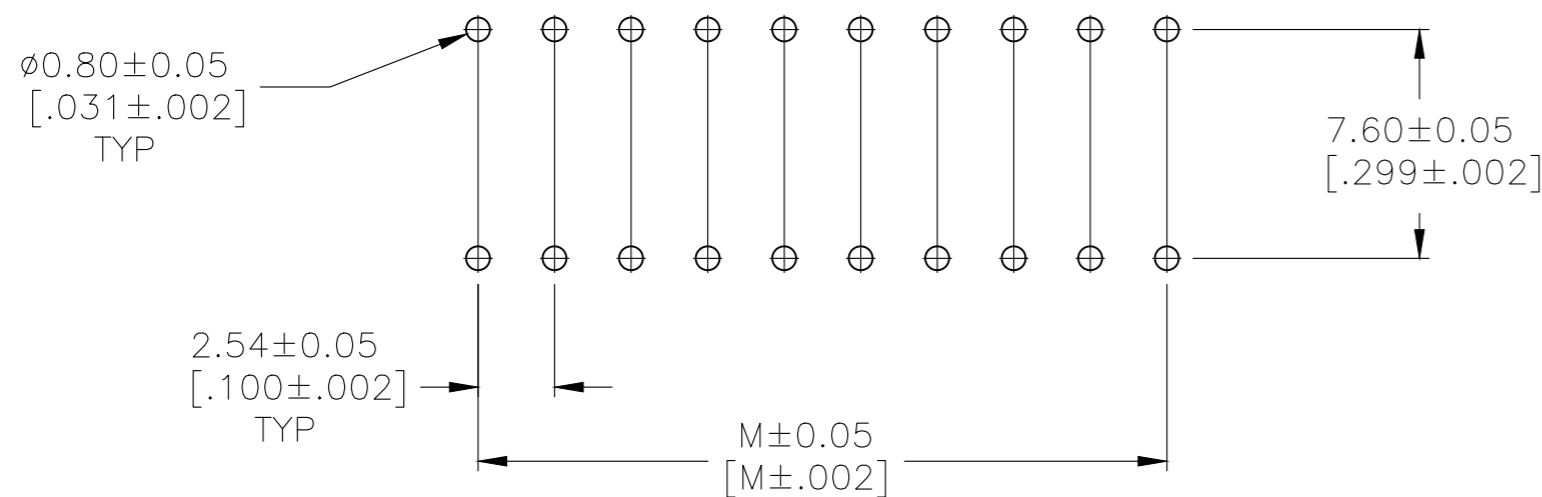
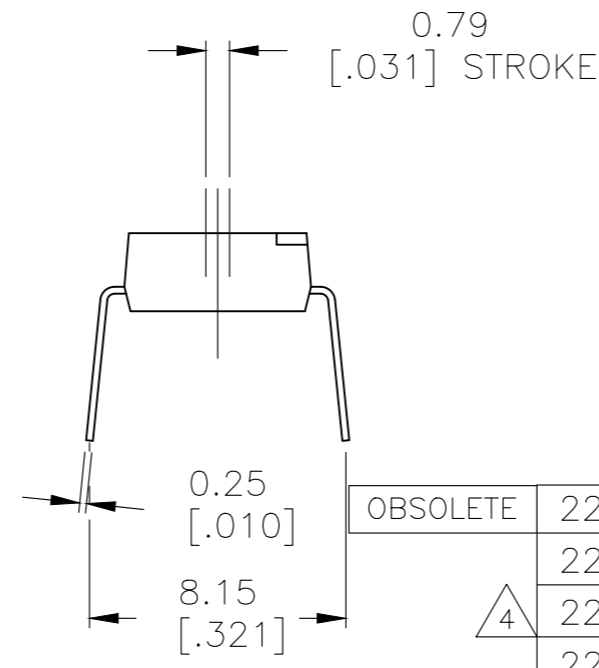
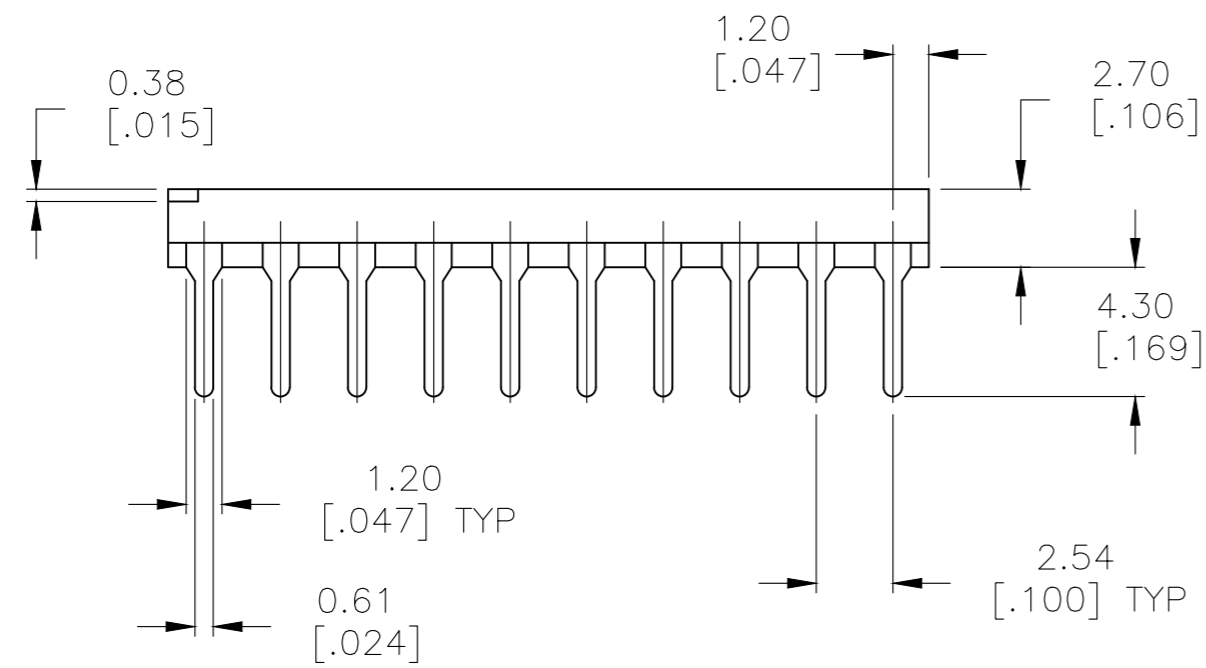
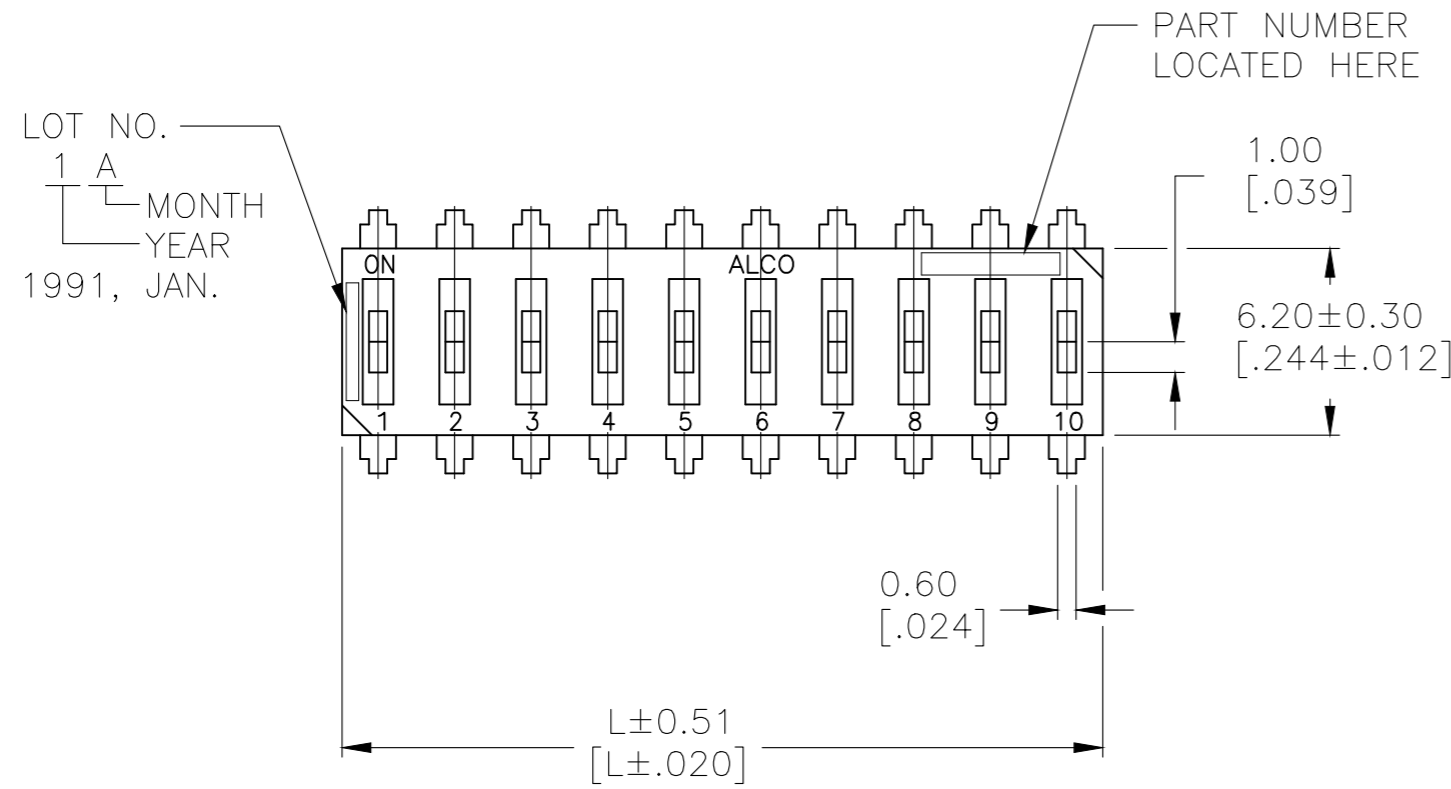
ACTUATION FORCE: 60-600 GRAMS

ENVIRONMENTAL:

OPERATING TEMPERATURE: -45°C TO +100°C
 STORAGE TEMPERATURE: -45°C TO +100 °C
 SOLDER HEAT RESISTANCE PER 109-202, CONDITION B (THRU-HOLE) OR 109-201, CONDITION B (SMT)
 SOLDERABILITY PER JIS C 0500 & JIS C 0053

NOTES:

- TAPE AND REEL PACKAGING PER EIA 481 - PART NO.S GDSXXSTR.
- ALL MATERIALS AND FINISHES SHALL COMPLY WITH EU DIRECTIVE 2002/95/EC OF 27JAN2003 (ROHS)
- SEE SHEET 2 FOR SURFACE MOUNTING DETAILS.
- OBsolete PARTS: OBsolete CIS STREAMLINING PER D.RENAUD/D.SINISI



P.C.B. HOLE LAYOUT

| 4 | OBsolete | DIM M | DIM L | SEAL | MTG | POLE | OLD T&B P/N | PART NO |
|---|----------|-------------|-------------|------|-----|------|-------------|-------------|
| | | 22.86[.900] | 25.25[.994] | TAPE | SMT | 10 | GDS10STR04 | 2-1825006-0 |
| | | 22.86[.900] | 25.25[.994] | TAPE | SMT | 10 | GDS10S04 | 1-1825006-9 |
| | | 22.86[.900] | 25.25[.994] | NONE | T/H | 10 | GDS10NTS04 | 1-1825006-8 |
| | | 22.86[.900] | 25.25[.994] | TAPE | T/H | 10 | GDS1004 | 1-1825006-7 |
| | | 17.78[.700] | 20.17[.794] | TAPE | SMT | 8 | GDS08STR04 | 1-1825006-6 |
| | | 17.78[.700] | 20.17[.794] | TAPE | SMT | 8 | GDS08S04 | 1-1825006-5 |
| | | 17.78[.700] | 20.17[.794] | NONE | T/H | 8 | GDS08NTS04 | 1-1825006-4 |
| | | 17.78[.700] | 20.17[.794] | TAPE | T/H | 8 | GDS0804 | 1-1825006-3 |
| | | 12.7[.500] | 15.09[.594] | TAPE | SMT | 6 | GDS06STR04 | 1-1825006-2 |
| | | 12.7[.500] | 15.09[.594] | TAPE | SMT | 6 | GDS06S04 | 1-1825006-1 |
| | | 12.7[.500] | 15.09[.594] | NONE | T/H | 6 | GDS06NTS04 | 1-1825006-0 |
| | | 12.7[.500] | 15.09[.594] | TAPE | T/H | 6 | GDS0604 | 1825006-9 |
| | | 7.62[.300] | 10.01[.394] | TAPE | SMT | 4 | GDS04STR04 | 1825006-8 |
| | | 7.62[.300] | 10.01[.394] | TAPE | SMT | 4 | GDS04S04 | 1825006-7 |
| | | 7.62[.300] | 10.01[.394] | NONE | T/H | 4 | GDS04NTS04 | 1825006-6 |
| | | 7.62[.300] | 10.01[.394] | TAPE | T/H | 4 | GDS0404 | 1825006-5 |
| | | 2.54[.100] | 4.93[.194] | TAPE | SMT | 2 | GDS02STR04 | 1825006-4 |
| | | 2.54[.100] | 4.93[.194] | TAPE | SMT | 2 | GDS02S04 | 1825006-3 |
| | | 2.54[.100] | 4.93[.194] | NONE | T/H | 2 | GDS02NTS04 | 1825006-2 |
| | | 2.54[.100] | 4.93[.194] | TAPE | T/H | 2 | GDS0204 | 1825006-1 |

THIS DRAWING IS A CONTROLLED DOCUMENT. DWN B.S.VISWESWARA 03MAR05
 CHK M.S.SARVER
 APVD M.S.SARVER
 PRODUCT SPEC
 APPLICATION SPEC

STE TE Connectivity

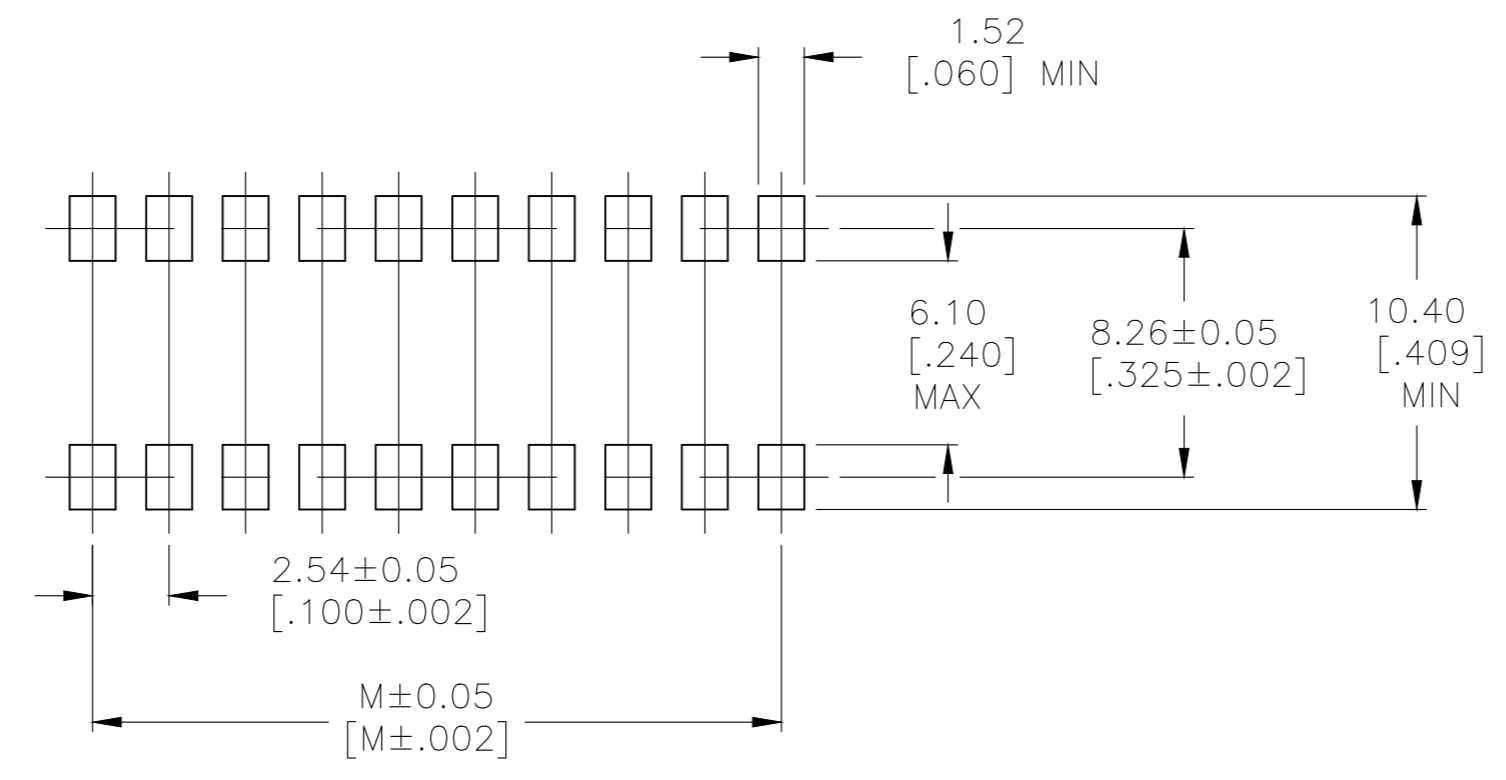
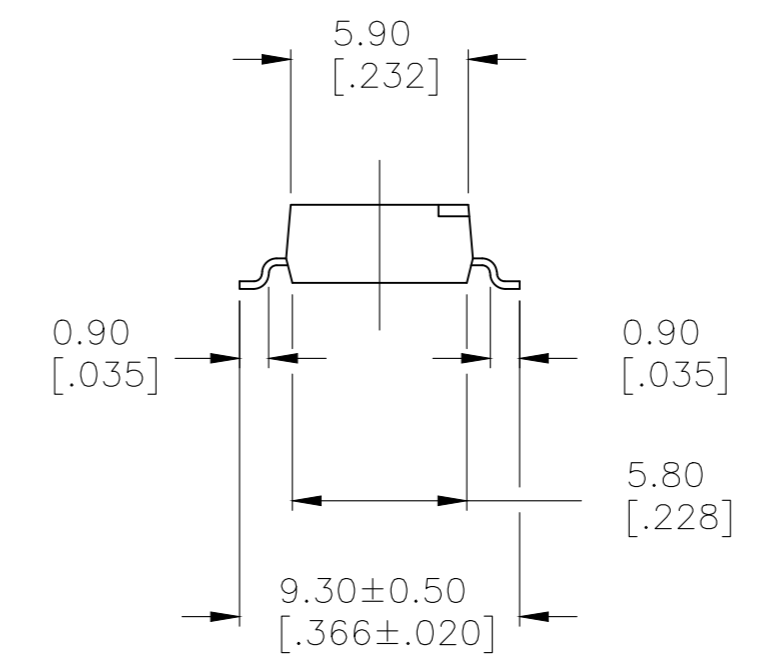
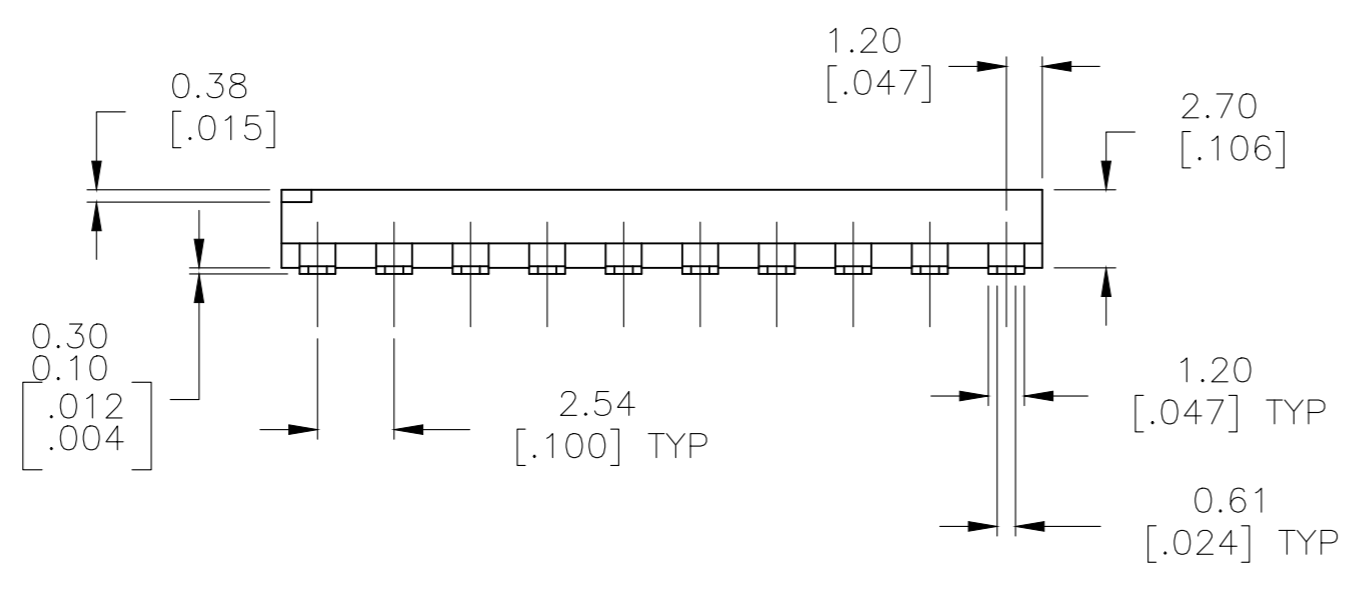
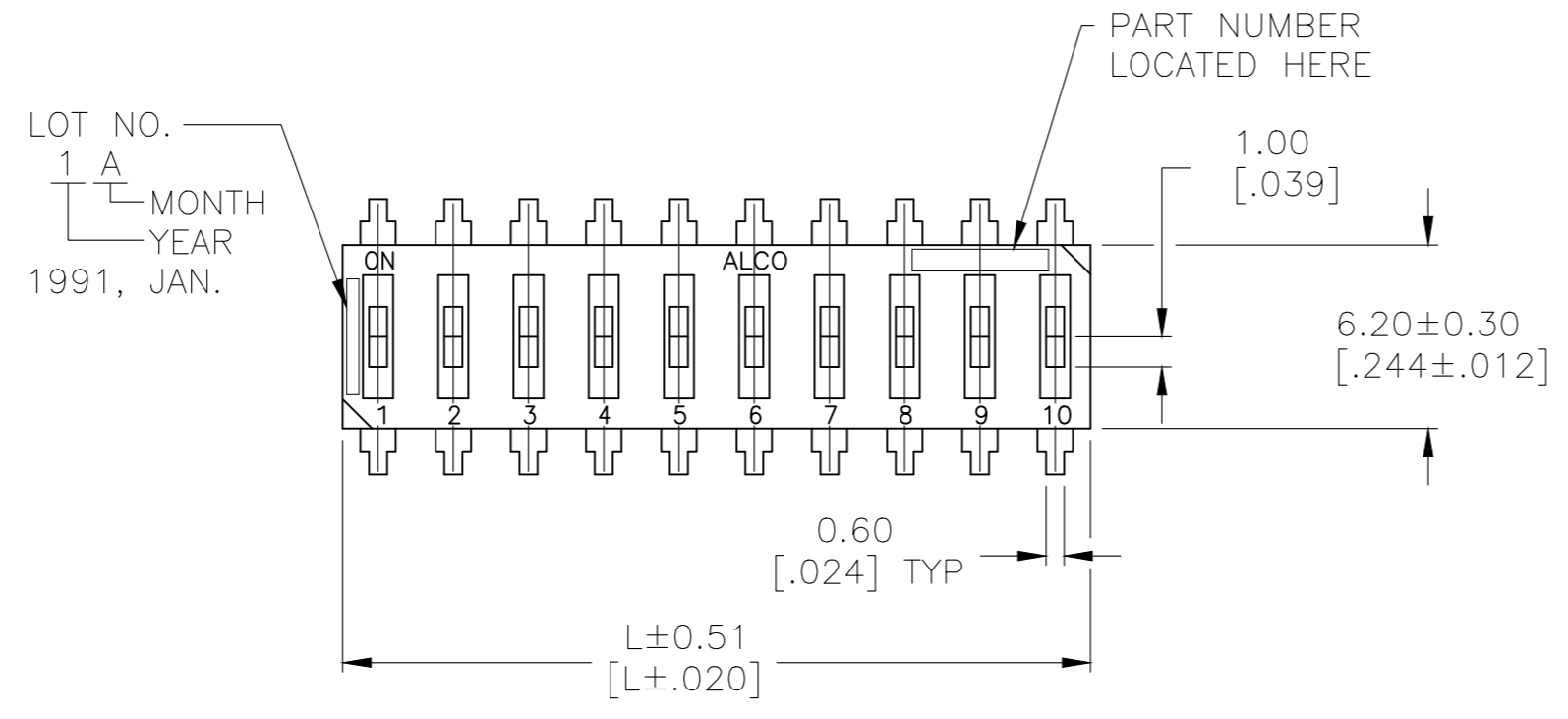
DIP SWITCH ASSEMBLY
 GDS SERIES

SIZE A2 CAGE CODE 00779 DRAWING NO C-1825006 RESTRICTED TO
 WEIGHT - SCALE 4:1 SHEET 1 OF 2 REV R

CUSTOMER DRAWING

THIS DRAWING IS UNPUBLISHED. 1825006, 1825006
 © COPYRIGHT 1825006 - ALL RIGHTS RESERVED.

| REVISIONS | | | | |
|-----------|-----|-------------|------|------|
| P | LTR | DESCRIPTION | DATE | APVD |
| - | - | SEE SHEET 1 | - | - |



SURFACE MOUNT PAD LAYOUT

| | | | | |
|--|--|-----------------------|---------|--|
| THIS DRAWING IS A CONTROLLED DOCUMENT. | | DWN B.S.VISWESWARA | 03MAR05 | |
| DIMENSIONS: mm [INCHES] | | CHK M.S.SARVER | - | |
| TOLERANCES UNLESS OTHERWISE SPECIFIED: | | APVD - | NAME | |
| 0 PLC ± - | | PRODUCT SPEC | | |
| 1 PLC ± - | | APPLICATION SPEC | | |
| 2 PLC ± 0.25[.010] | | SIZE | | |
| 3 PLC ± - | | CAGE CODE | | |
| 4 PLC ± - | | DRAWING NO | | |
| ANGLES ± 1° | | RESTRICTED TO | | |
| MATERIAL | | WEIGHT | | |
| FINISH | | SCALE | | |
| | | SHEET | | |
| | | REV | | |



DIP SWITCH ASSEMBLY
GDS SERIES

A2 00779 C-1825006

CUSTOMER DRAWING SCALE 4:1 SHEET 2 OF 2 REV R