

1-1969614-8 ✓ ACTIVE



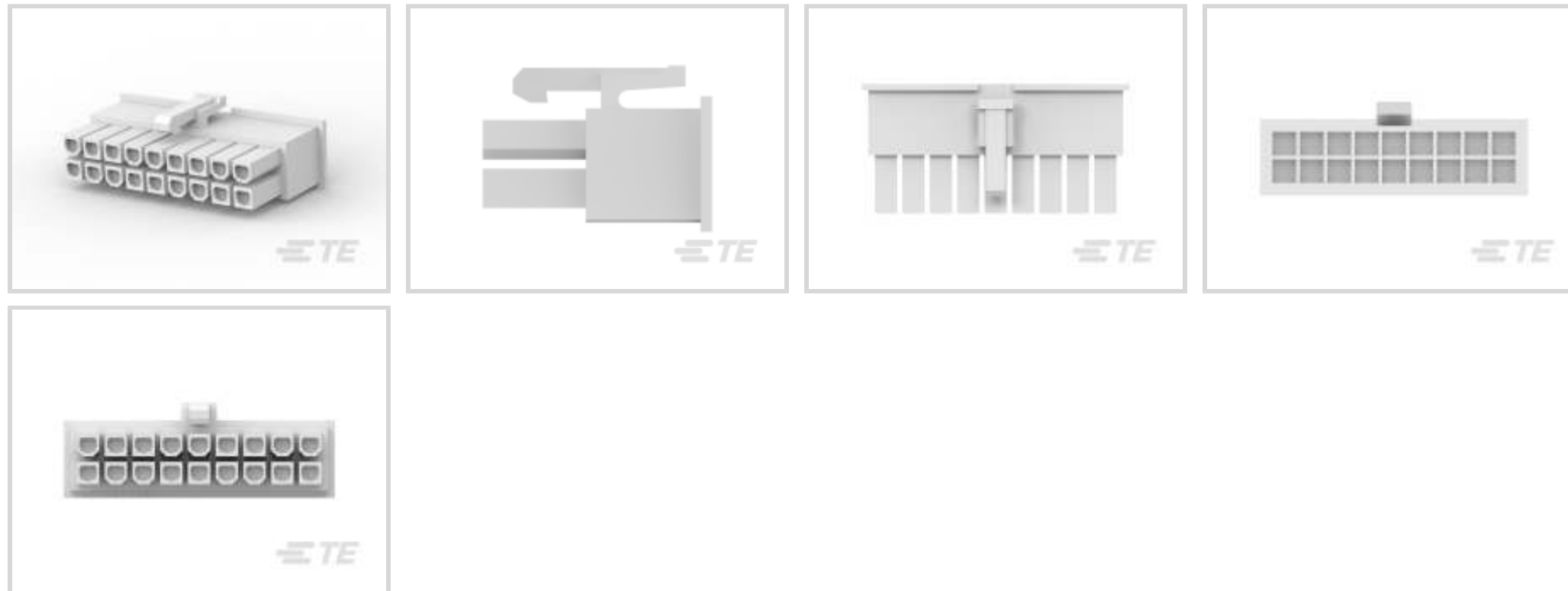
VAL-U-LOK

TE Internal #: 1-1969614-8

Rectangular Power Connectors, Housing, Receptacle, Wire-to-Wire,
18 Position, 4.2 mm [.165 in] Centerline, Wire & Cable, UL 94V-0

[View on TE.com >](#)

Connectors > Power Connectors > Rectangular Power > Rectangular Power Connectors



Rectangular Power Connector Type: **Housing**

Connector & Housing Type: **Receptacle**

Connector System: **Wire-to-Wire**

Number of Positions: **18**

Centerline (Pitch): **4.2 mm [.165 in]**

Features

Product Type Features

Rectangular Power Connector Type	Housing
Connector & Housing Type	Receptacle
Connector System	Wire-to-Wire
Sealable	No
Connector & Contact Terminates To	Wire & Cable

Configuration Features

Number of Positions	18
Number of Rows	2

Electrical Characteristics

Operating Voltage	600 VAC
-------------------	---------

Contact Features

Contact Retention Within Housing	Without
Contact Type	Receptacle

Termination Features



Termination Method to Wire & Cable	Crimp
------------------------------------	-------

Mechanical Attachment

Connector Mounting Type	Cable Mount (Free-Hanging)
-------------------------	----------------------------

Housing Features

Centerline (Pitch)	4.2 mm [.165 in]
--------------------	------------------

Housing Color	Natural
---------------	---------

Housing Material	Nylon 6/6
------------------	-----------

Dimensions

Connector Height	11.7 mm [.461 in]
------------------	-------------------

Product Width	19.8 mm [.779 in]
---------------	-------------------

Product Length	39 mm [1.535 in]
----------------	------------------

Row-to-Row Spacing	4.2 mm [.165 in]
--------------------	------------------

Usage Conditions

Operating Temperature Range	-40 – 105 °C [-40 – 221 °F]
-----------------------------	-----------------------------

Operation/Application

Circuit Application	Power & Signal
---------------------	----------------

Industry Standards

CSA Rating	208567
------------	--------

UL Rating	Recognized
-----------	------------

Agency/Standard	CSA, UL
-----------------	---------

Approved Standards	UL E28476
--------------------	-----------

UL Flammability Rating	UL 94V-0
------------------------	----------

Glow Wire Rating	Standard Part - Not Glow Wire
------------------	-------------------------------

Packaging Features

Packaging Quantity	500
--------------------	-----

Packaging Method	Bag
------------------	-----

Product Compliance

[For compliance documentation, visit the product page on TE.com>](#)

EU RoHS Directive 2011/65/EU	Compliant
------------------------------	-----------

EU ELV Directive 2000/53/EC	Compliant
-----------------------------	-----------

China RoHS 2 Directive MIIT Order No 32, 2016	No Restricted Materials Above Threshold
---	---



EU REACH Regulation (EC) No. 1907/2006

Current ECHA Candidate List: JUNE 2023 (235)

Candidate List Declared Against: JAN 2023 (233)

Does not contain REACH SVHC

Halogen Content

Low Halogen - Br, Cl, F, I < 900 ppm per homogenous material. Also BFR/CFR/PVC Free

Solder Process Capability

Not reviewed for solder process capability

Product Compliance Disclaimer

This information is provided based on reasonable inquiry of our suppliers and represents our current actual knowledge based on the information they provided. This information is subject to change. The part numbers that TE has identified as EU RoHS compliant have a maximum concentration of 0.1% by weight in homogenous materials for lead, hexavalent chromium, mercury, PBB, PBDE, DBP, BBP, DEHP, DIBP, and 0.01% for cadmium, or qualify for an exemption to these limits as defined in the Annexes of Directive 2011/65/EU (RoHS2). Finished electrical and electronic equipment products will be CE marked as required by Directive 2011/65/EU. Components may not be CE marked. Additionally, the part numbers that TE has identified as EU ELV compliant have a maximum concentration of 0.1% by weight in homogenous materials for lead, hexavalent chromium, and mercury, and 0.01% for cadmium, or qualify for an exemption to these limits as defined in the Annexes of Directive 2000/53/EC (ELV). Regarding the REACH Regulation, the information TE provides on SVHC in articles for this part number is based on the latest European Chemicals Agency (ECHA) 'Guidance on requirements for substances in articles' posted at this URL: <https://echa.europa.eu/guidance-documents/guidance-on-reach>

Compatible Parts



TE Part # 1-1969612-8
18P FH PLUG VAL-U-LOK V0



TE Part # 1-1586018-8
18P PM PLUG VAL-U-LOK V0



TE Part # 1-1586017-8
18P FH PLUG VAL-U-LOK V0

Customers Also Bought



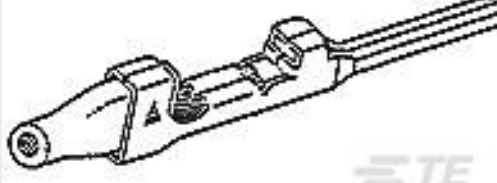
TE Part #HDC26-18
DUST CAP, 18SZ, REC, BLK, HDP



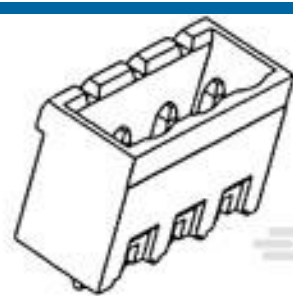
TE Part #1-480276-0
06P CMNL CAP HSG P/M NATL



TE Part #3-84953-0
1MM FPC HORZ.TOP CONT.ASSY 30P



TE Part #175063-1
040 MULTILOCK TAB CONT. L/P



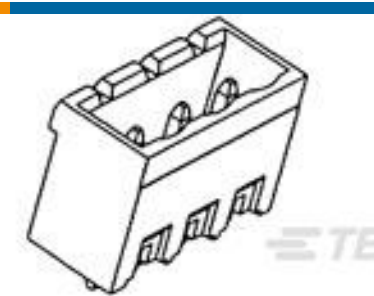
TE Part #796636-3
3POS 5.08MM CE VRT HDR, TRM BLK



TE Part #1-480273-0
06P CMNL PLUG HSG P/M NATL



TE Part #2238016-1
VAL-U-LOK PIN BR SN 18-22AWG



TE Part #796636-2
2POS 5.08MM CE VRT HDR, TRM BLK



TE Part #2098377-1
20P PLUG ASSEMBLY UNSEALED
HYBRID A-KEY

Documents

Product Drawings

18P RCPT VAL-U-LOK V0

English

CAD Files

3D PDF

3D

Customer View Model

[ENG_CVM_CVM_1-1969614-8_A_c-1-1969614-8-a.2d_dxf.zip](#)

English

Customer View Model

[ENG_CVM_CVM_1-1969614-8_A_c-1-1969614-8-a.3d_igs.zip](#)

English

Customer View Model

[ENG_CVM_CVM_1-1969614-8_A_c-1-1969614-8-a.3d_stp.zip](#)

English

By downloading the CAD file I accept and agree to the [Terms and Conditions](#) of use.

Datasheets & Catalog Pages

1-1773730-3 VAL-U-LOK Connectors with TPA Flyer

English

Product Specifications

Application Specification

English

Agency Approvals

UL Report

1-1969614-8

Rectangular Power Connectors, Housing, Receptacle, Wire-to-Wire, 18 Position, 4.2 mm [.165 in] Centerline, Wire & Cable, UL 94V-0



English