



## Comair Rotron Specification Sheet

Specification Date: Dec 12, 2017

Version: 02

COMAIR ROTRON PART NUMBER: 17000537A  
COMAIR ROTRON MODEL NUMBER: CREC1225-3200

---

### A.) MOTOR:

|                               |  |
|-------------------------------|--|
| RATED VOLTAGE:                | 100~240VAC $\pm$ 10%                               |
| OPERATING VOLTAGE RANGE:      | 90~264VAC  |
| LOW-START VOLTAGE:            | 80 VAC   |
| RUNNING CURRENT:              | 0.04~0.07 Amps                                     |
| OPERATING FREQUENCY:          | 50~60Hz  |
| INPUT POWER:                  | 5 Watts  |
| NOMINAL SPEED:                | 3,200 RPM $\pm$ 5%<br>(At Free Delivery)           |
| MOTOR TYPE:                   | Brushless EC                                       |
| MOTOR PROTECTION:             | By Integrated Circuit                              |
| LOCKED ROTORT PROTECTION:     | IC protected                                       |
| POLARITY PROTECTION:          | Yes  |
| AUTOMATIC RESTART CAPABILITY: | By Integrated Circuit                              |
| ROTATION:                     | Counter Clockwise when viewed from the<br>impeller |

### B.) MECHANICAL

|               |  |
|---------------|--|
| DIMENSIONS:   | 120x120x 25mm  |
| WEIGHT:       | 226g   |
| BEARING TYPE: | Permanently Lubricated Ball Bearings                       |
| VENTURI:      | Die Cast magnesium alloy,<br>ED coating and powder coating |
| PROPELLER:    | P.B.T+30%GF(Glass fiber) UL 94V-0                          |



# Comair Rotron Specification Sheet

Specification Date: Dec 12, 2017

Version: 02

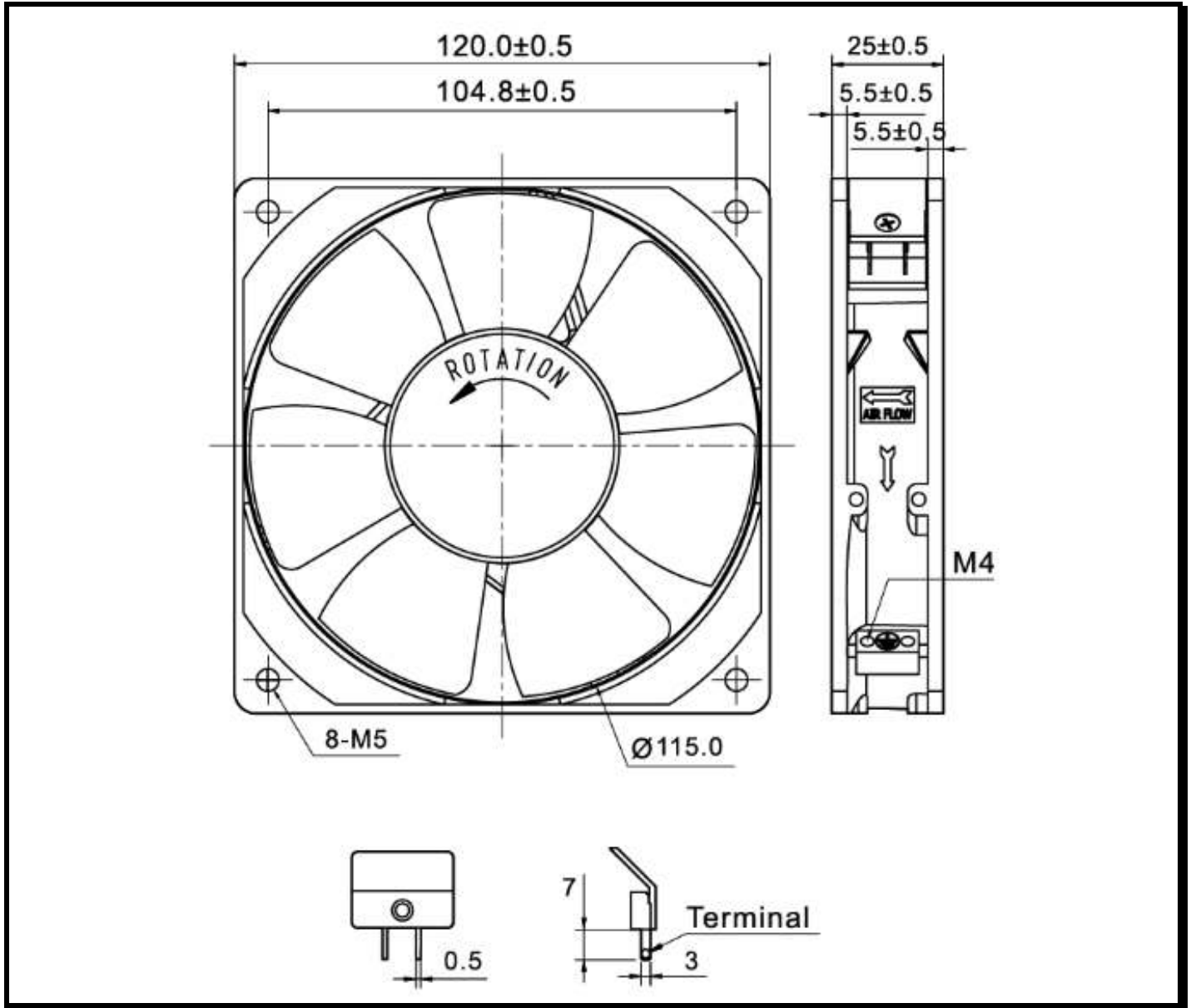


Figure 1

## C.) ENVIRONMENTAL

OPERATING TEMPERATURE:

-20°C to +70°C

STORAGE TEMPERATURE:

The storage temperature will be suggested at -20°C ~ 50°C to ensure a better performance.

HUMIDITY:

20 to 85% RH, non-condensing



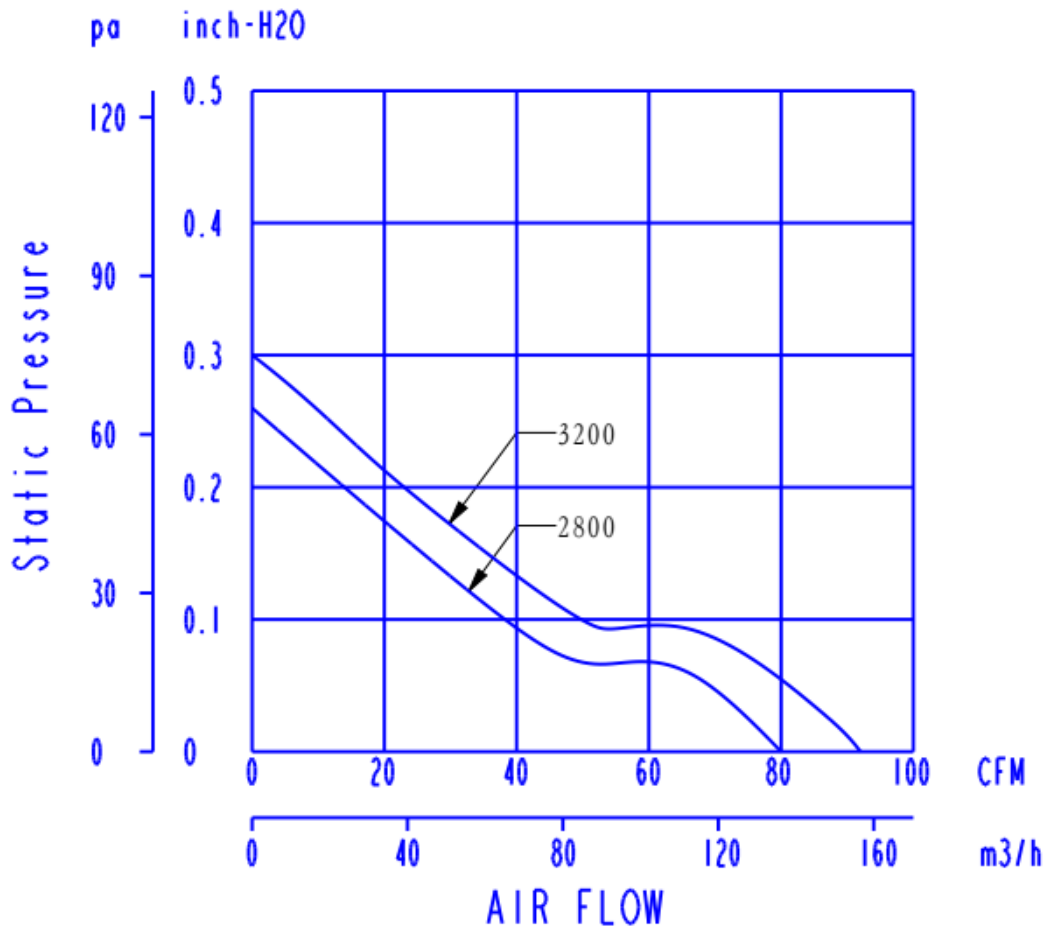
# Comair Rotron Specification Sheet

Specification Date: Dec 12, 2017

Version: 02

## D.) PERFORMANCE CHARACTERISTICS

|                  |  |
|------------------|--|
| AIR FLOW:        | 92 CFM $\pm$ 5%<br>(Measuring at zero static pressure)                   |
| STATIC PRESSURE: | 0.30" Inches of H2O<br>(Measuring at zero airflow)                       |
| ACOUSTIC LEVEL:  | 47 dBA Max. at MAX. speed<br>(Measured via Freely Suspended at 1 meter ) |





## Comair Rotron Specification Sheet

Specification Date: Dec 12, 2017

Version: 02

### E.) TERMINATION

Joint terminal:

suit with 0.5x3x7mm PIN

### F.) RELIABILITY

| Bearing type | Temperature | Hours  |
|--------------|-------------|--------|
| Ball bearing | 20°C        | 60,000 |
|              | 40°C        | 50,000 |
|              | 60°C        | 40,000 |
|              | 90°C        | 20,000 |

### G.) SAFETY

UL, CUL, CE

### H.) FLAMMABILITY

The fan including all components meets a UL94V-0 rating or better.