



Connectors > PCB Connectors > Wire-to-Board Connectors > FFC, FPC & Ribbon Connectors > FFC Contacts >

2.54mm FFC Connectors Socket Contacts



Centerline (Pitch): **2.54 mm [ .1 in ]**

Compatible With Wire & Cable Type: **FFC**

Contact Type: **Socket**

Contact Mating Area Plating Material: **Tin-Lead**

Packaging Method: **Reel**

[All 2.54mm FFC Connectors Socket Contacts \(35\)](#)

## Features

### Product Type Features

Connector & Contact Terminates To	Wire & Cable
-----------------------------------	--------------

### Configuration Features

Compatible With Wire & Cable Type	FFC
-----------------------------------	-----

### Contact Features

	50 µin
Contact Underplating Material	Nickel
PCB Contact Termination Area Plating Material	Tin-Lead
Contact Base Material	Phosphor Bronze
Contact Type	Socket
Contact Mating Area Plating Material	Tin-Lead
Contact Current Rating (Max)	2 A

### Termination Features

Termination Method to Wire & Cable	Insulation Displacement (IDC)
------------------------------------	-------------------------------



**Housing Features**

Centerline (Pitch)	2.54 mm[.1 in]
--------------------	----------------

**Dimensions**

Accepts Conductor Width	1.27 mm[.05 in]
-------------------------	-----------------

**Usage Conditions**

Operating Temperature Range	-65 – 105 °C[-85 – 221 °F]
-----------------------------	----------------------------

**Operation/Application**

Circuit Application	Signal
---------------------	--------

**Packaging Features**

Packaging Method	Reel
------------------	------

**Product Compliance**

[For compliance documentation, visit the product page on TE.com>](#)

EU RoHS Directive 2011/65/EU	Not Compliant
EU ELV Directive 2000/53/EC	Compliant with Exemptions
China RoHS 2 Directive MIIT Order No 32, 2016	Restricted Materials Above Threshold
EU REACH Regulation (EC) No. 1907/2006	Current ECHA Candidate List: JUNE 2023 (235) Candidate List Declared Against: JUNE 2023 (235) SVHC > Threshold: Pb (13% in Component Part) <b>Article Safe Usage Statements:</b> Do not eat, drink or smoke when using this product. Wash thoroughly after handling. Recycle if possible and dispose of the article by following all applicable governmental regulations relevant to your geographic location.
Halogen Content	Low Halogen - Br, Cl, F, I < 900 ppm per homogenous material. Also BFR/CFR/PVC Free
Solder Process Capability	Not applicable for solder process capability

Product Compliance Disclaimer

This information is provided based on reasonable inquiry of our suppliers and represents our current actual knowledge based on the information they provided. This information is subject to change. The part numbers that TE has identified as EU RoHS compliant have a maximum concentration of 0.1% by weight in homogenous materials for lead, hexavalent chromium, mercury, PBB, PBDE, DBP, BBP, DEHP, DIBP, and 0.01% for cadmium, or qualify for an exemption to these limits as defined in the Annexes of Directive 2011/65/EU (RoHS2). Finished electrical and electronic equipment products will be CE marked as required by Directive 2011/65/EU. Components may not be CE marked. Additionally, the part numbers that TE has identified as EU ELV compliant have a maximum concentration of 0.1% by weight in homogenous materials for lead, hexavalent chromium, and mercury, and 0.01% for cadmium, or qualify for an exemption to these limits as defined in the Annexes of Directive 2000/53/EC (ELV). Regarding the REACH Regulation, the information TE provides

on SVHC in articles for this part number is based on the latest European Chemicals Agency (ECHA) 'Guidance on requirements for substances in articles' posted at this URL: <https://echa.europa.eu/guidance-documents/guidance-on-reach>

## Compatible Parts



TE Part # CAT-F439-R2435254  
2.54mm FFC Connectors Receptacle Housing



TE Part # 1-487526-8  
019 HOUSING FFC RCPT 100CL SR



TE Part # 1-528013-1  
FFC PISTOL GRIP HAND TOOL CASE



TE Part # 2394880-3  
FFC BASE MACHINE MARK II, ENGLISH

TE Part # 5-528441-5  
APPLIC. FFC-MODU.100

## Customers Also Bought



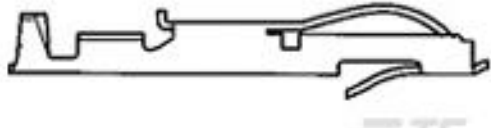
TE Part # 1-487526-1  
2.54mm FFC Connectors Receptacle Housing



TE Part # 1-88997-3  
FC S,TAB 15AU RL



TE Part # 1-2317142-4  
M12 X-CODE CABLE ASSY. (PLUG-PLUG) 2.5 M



TE Part # 1-583853-1  
TWIN LF CONT IS 20-24 AU



TE Part # 3-2176216-6  
CPF A 0603 3K9 0.1% 25PPM 1K RL



TE Part # 2176516-5  
CJH 2000W 22R 5% Lead



TE Part # 5-2176422-7  
TLRP 2512 3.0W R018 1% 50PPM 4K RL

## Documents

### Product Drawings

FFC RCPT CONT SP 50AU RL

English



### CAD Files

#### Customer View Model

[ENG\\_CVM\\_CVM\\_487406-3\\_AV.2d\\_dxf.zip](#)

English

#### 3D PDF

3D

#### Customer View Model

[ENG\\_CVM\\_CVM\\_487406-3\\_AV.3d\\_igs.zip](#)

English

#### Customer View Model

[ENG\\_CVM\\_CVM\\_487406-3\\_AV.3d\\_stp.zip](#)

English

By downloading the CAD file I accept and agree to the [Terms and Conditions](#) of use.

### Product Specifications

#### Application Specification

English

### Instruction Sheets

#### Instruction Sheet (U.S.)

English

#### Extraction Tools

English