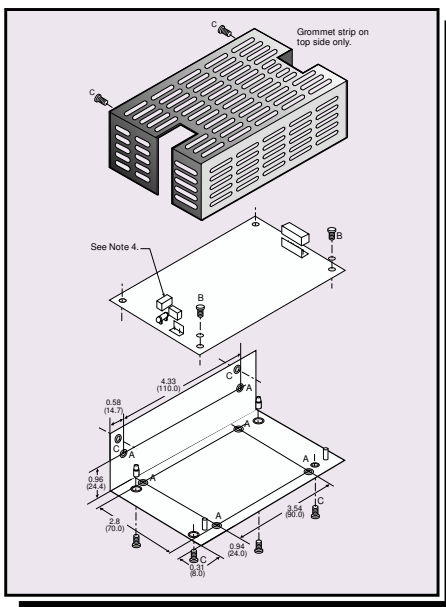


- NAL25 and NAL40
- Assembly instructions
- Mounting screws
- Crimp terminals and mating connectors



MECHANICAL SPECIFICATIONS

NAL25 and NAL40



Assembly Notes

- 1 Before assembly, ensure unit has been turned off for at least 10 minutes.
- 2 Cover cable exit area with grommet strip provided.
- 3 Maximum screw penetration into customer mounting holes is 3mm.
- 4 Cover fuse with fuse cover provided.
- 5 "A" denotes customer M3 mounting holes.
- 6 "B" denotes PCB fixing screws.
- 7 "C" denotes case assembly points and screws.

Note: When a cover or other sheetmetal option is added, it is the user's responsibility to ensure that the requirements of the relevant safety agency, or agencies, are satisfied.

MODEL NUMBER: NAL40 COVER KIT

Bracket outside dim. 5.49" x 3.43" x 1.88" (139.5 x 87.2 x 47.9mm)

Cover outside dim. 5.49" x 3.38" x 1.82" (139.5 x 85.8 x 46.3mm)