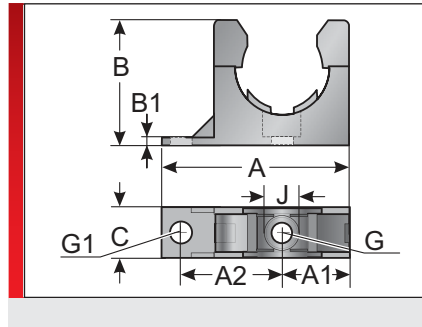


Type UHG



Conduit holder

PRODUCT INFORMATION

The UHG holder is made of specially modified polyamide. The material is halogen, phosphor and cadmium-free. The holder is used to fix cable protection conduits to equipment and machinery.

- The UHG holder features the following advantages:
- The additional flap can be used to prevent rotation of the holder
- Protective conduit are simply snapped in

- Optimum connection of conduit to holder thanks to double webs of holder
- Optional BL bracket for applications with high stresses

Specification:

- EN 45545-2:2013 3x HL3

SPECIFICATIONS

- UL listed material Mod. polyamide PA 6
- 40 – 110 °C transient / short term 140 °C
- V0 self-extinguishing

| Type | Order No. | Colour | Suitable for Murrflex | A mm | B mm | C mm | G mm | J mm | A1 mm | A2 mm | B1 mm | G1 mm | Pack qty. |
|---|-----------|--------|-----------------------|-------|-------|-------|------|-------|-------|-------|-------|-------|-----------|
| Suitable for Murrflex EW and EWX | | | | | | | | | | | | | |
| UHG 09 | 83621250 | Black | M12/P09 | 46.00 | 23.00 | 12.50 | 4.50 | 7.50 | 15.00 | 24.50 | 2.00 | 6.20 | 100 |
| UHG 11 | 83621252 | Black | M16/P11 | 46.00 | 23.00 | 12.50 | 4.50 | 7.50 | 15.00 | 24.50 | 2.00 | 6.20 | 100 |
| UHG 16 | 83621254 | Black | M20/P16(S) | 50.00 | 30.00 | 15.00 | 5.50 | 9.50 | 17.50 | 27.00 | 2.50 | 6.20 | 100 |
| UHG 21 | 83621256 | Black | M25/P21(S) | 57.00 | 38.00 | 16.00 | 6.50 | 11.50 | 21.00 | 30.70 | 2.50 | 6.20 | 100 |
| UHG 29 | 83621258 | Black | M32/P29(S) | 67.00 | 43.50 | 16.00 | 6.50 | 11.50 | 25.50 | 35.30 | 3.00 | 6.20 | 50 |
| UHG 36 | 83621260 | Black | M40/P36(S) | 77.00 | 51.00 | 18.50 | 6.50 | 11.50 | 30.50 | 40.00 | 3.50 | 6.20 | 50 |
| UHG 48 | 83621262 | Black | M50/P48(S) | 89.00 | 64.00 | 19.00 | 6.50 | 11.50 | 37.00 | 46.50 | 3.50 | 6.20 | 50 |

MATERIAL PROPERTIES

UL listed material Mod. polyamide PA 6

THERMAL PROPERTIES

Temperature / temperature range
-40 – 110 °C transient / short term 140 °C

FIRE BEHAVIOUR

Fire classification
V0 self-extinguishing

Fire properties as per EN 45545-2: 2013

C.I.T. R22 / R23 HL3 = 0,43
LOI R22 / R23 HL3 = 33,8 %
Ds (max.) R22 / R23 HL3 = 63

Type UHG

APPROVALS AND OPERATING PERMITS



Railway EU approval



GL approval

TECHNICAL INFORMATION



Halogen-free

CONFORMITY



RoHS (EC Directive 2002/95/EC)

GENERAL INFORMATION



Made in Germany

All details given in our sales material prospectuses and catalogues as well as the information available online are based on our current knowledge of the products described.

The electronic data and files made available by Murrplastik, particularly CAD files are based on our current knowledge of the product described.

A legally binding assurance of certain properties or the suitability for a certain purpose can not be determined from this information.

All information with respect to the chemical and physical properties of Murrplastik products as well as application advice given verbally, in writing or by tests, is given to the best of our knowledge.

This does not free the purchaser of carrying out their own inspections and tests in order to determine the suitability of a product for a specific purpose.

Murrplastik accepts no responsibility for the available information being up-to-date, correct or complete. Neither do we accept responsibility for the quality of this information.

Murrplastik accepts no liability for damage caused as a result of using our products.

Murrplastik reserves the right to make technical changes and improvements through constant further development of products and services.

Our General Terms and Conditions apply.