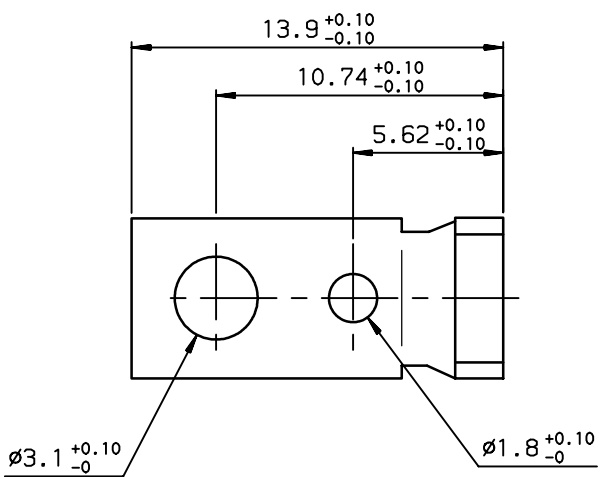
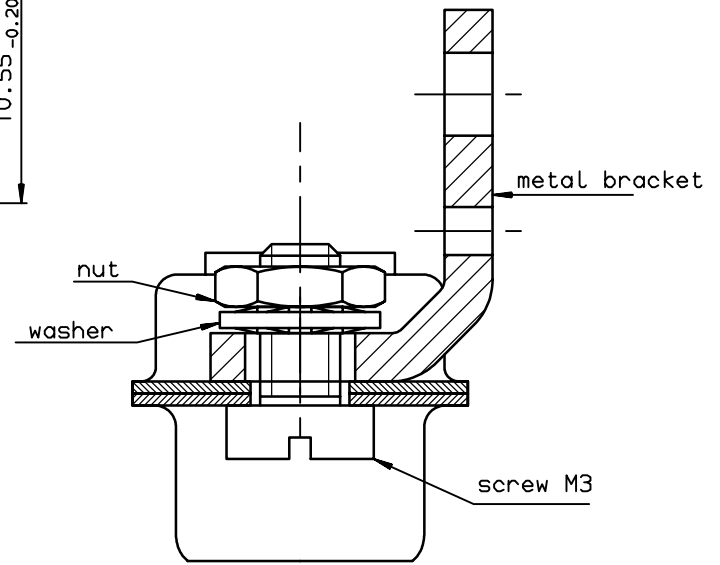
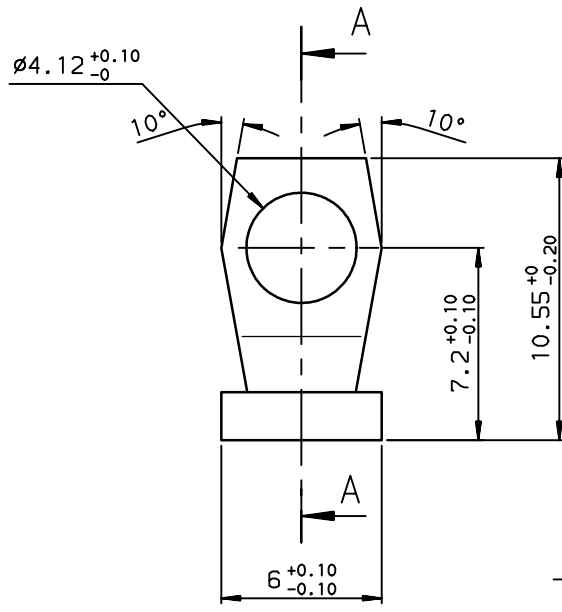
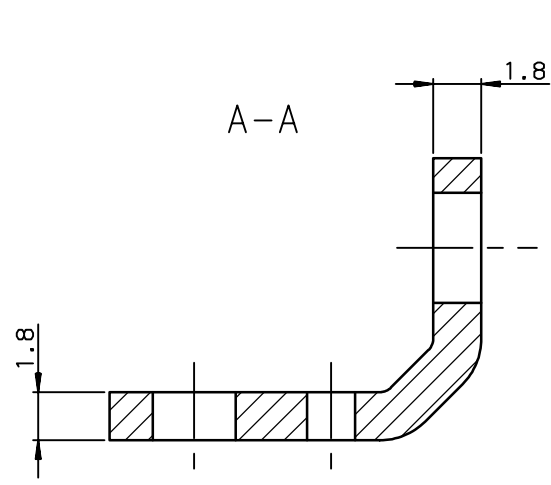


**MATERIAL:**  
Steel . Cadmium plating

**TEMPERATURE RANGE:**  
-Climatic category: -55°/ +125°

**PACKAGING:**  
Per 100 pieces

BRACKET MOUNTING

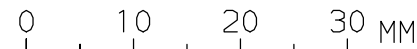


Part number **8655-2008**

European Views

|                    |         |                                       |                                   |                  |                         |      |
|--------------------|---------|---------------------------------------|-----------------------------------|------------------|-------------------------|------|
| www.fciconnect.com |         | surface<br>ISO 1302                   | tolerance std<br>ISO 406 ISO 1101 | projection<br>mm | mm                      |      |
|                    |         | TOLERANCES UNLESS OTHERWISE SPECIFIED |                                   |                  |                         |      |
| Dr                 | JOUBERT | 1998/04/10                            | 0.X                               |                  |                         | ±0.1 |
| Eng                | PESSON  | 1998/04/10                            | 0.XX                              |                  |                         | ±0.1 |
| Chr                | LEGARE  | 1998/04/10                            | 0.XX                              | ±0.1             | size<br>A3              |      |
| Appr               | LEGARE  | 1998/04/10                            | 0.XX ±2'                          | 0.XXX            | ±0.1                    |      |
|                    |         | Product family                        |                                   | D-SUB            | Spec ref -              |      |
|                    |         | <b>METAL BRACKETS</b>                 |                                   |                  | title<br>-              |      |
|                    |         | catalog no<br>-                       |                                   |                  | dwg no<br>C01-8655-1513 |      |
|                    |         | CUSTOMER                              |                                   |                  | sheet 1 of 1            |      |

| rev | ecn no    | dr  | date       |
|-----|-----------|-----|------------|
| A   | -         | JOU | 1998/04/10 |
| B   | LS06-0097 | LGO | 2006/07/28 |
| -   | -         | -   | -          |
| -   | -         | -   | -          |
| -   | -         | -   | -          |
| -   | -         | -   | -          |



Copyright FCJ.