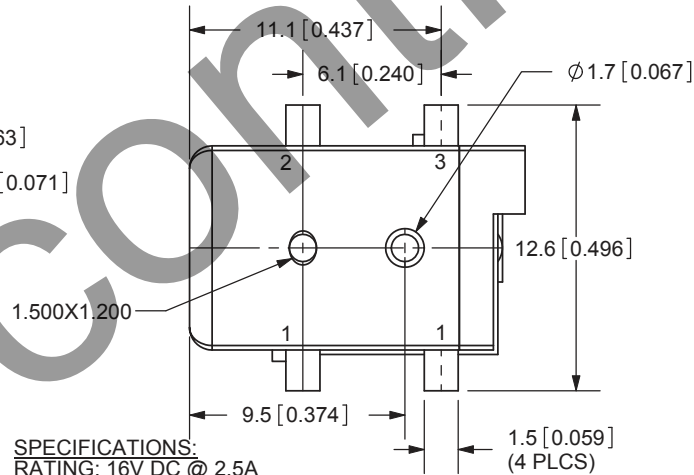
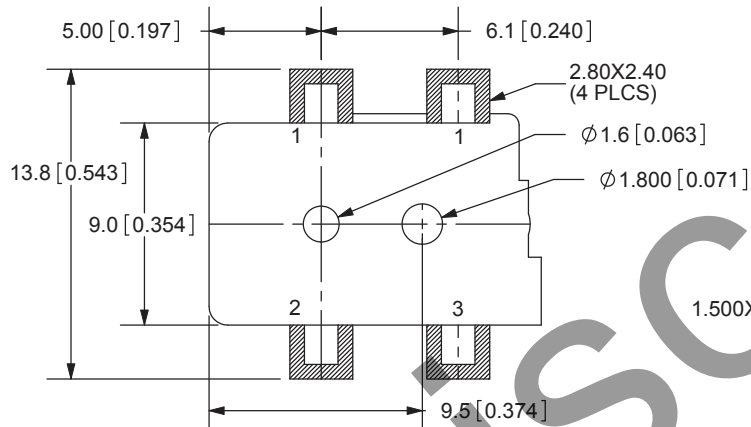
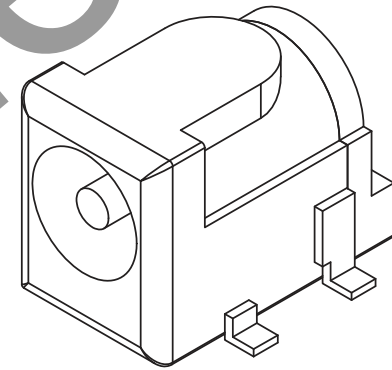
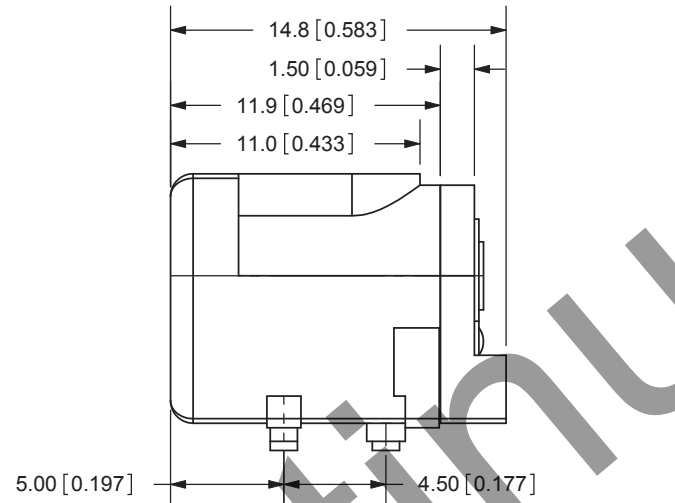
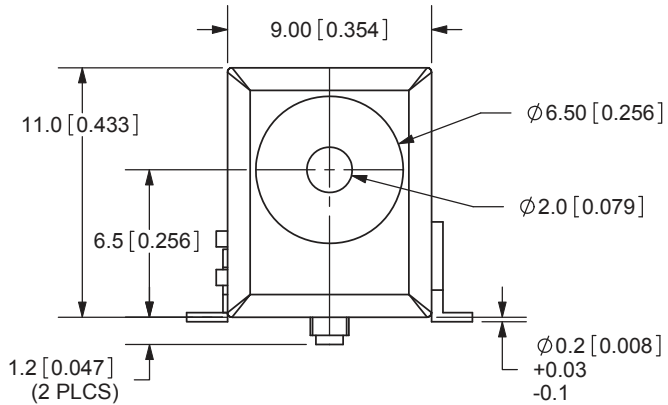


REV.	DESCRIPTION	DATE
A	NEW DRAWING	11/10/2005
B	corrected spec error	10/29/2007



PCB LAYOUT  
TOP VIEW

MODEL NO.	PJ-002A-SMT
SCHMATIC	

CENTER PIN DIAMETER 2.0mm Dia.

**SPECIFICATIONS:**  
 RATING: 16V DC @ 2.5A  
 CONTACT RESISTANCE: 30m OHMS MAX  
 INSULATION RESISTANCE: 50M OHMS MIN; 500V DC  
 VOLTAGE WITHSTAND: 500V AC R.M.S. FOR 1 MINUTE  
 LIFE: 5,000 CYCLES  
 OPERATING TEMP: -25° ~ +85°C

	MATERIAL	PLATING
CENTER PIN	Copper	Nickel
TERMINAL 1	Brass	Silver
TERMINAL 2	Copper Alloy	Silver
TERMINAL 3	Brass	Silver
HOUSING	PA6T	

TOLERANCE:  
 X.X ±0.2mm  
 X.XX ±0.1mm  
 X.XXX ±0.05mm



20050 SW 112th Ave.  
 Tualatin, OR 97062  
 Phone: 503-612-2300  
 800-275-4899  
 Fax: 503-612-2383  
 Website: www.cui.com

TITLE:	2.0mm SURFACE MOUNT POWER JACK	REV:	A
PART NO.	PJ-002A-SMT	UNITS:	MM [INCHES]
DRAWN BY:	ZRJ	APPROVED BY:	
		SCALE:	2:1

PC FILE NAME:  
PJ-002A-SMT

COPYRIGHT 2007 BY CUI INC.

